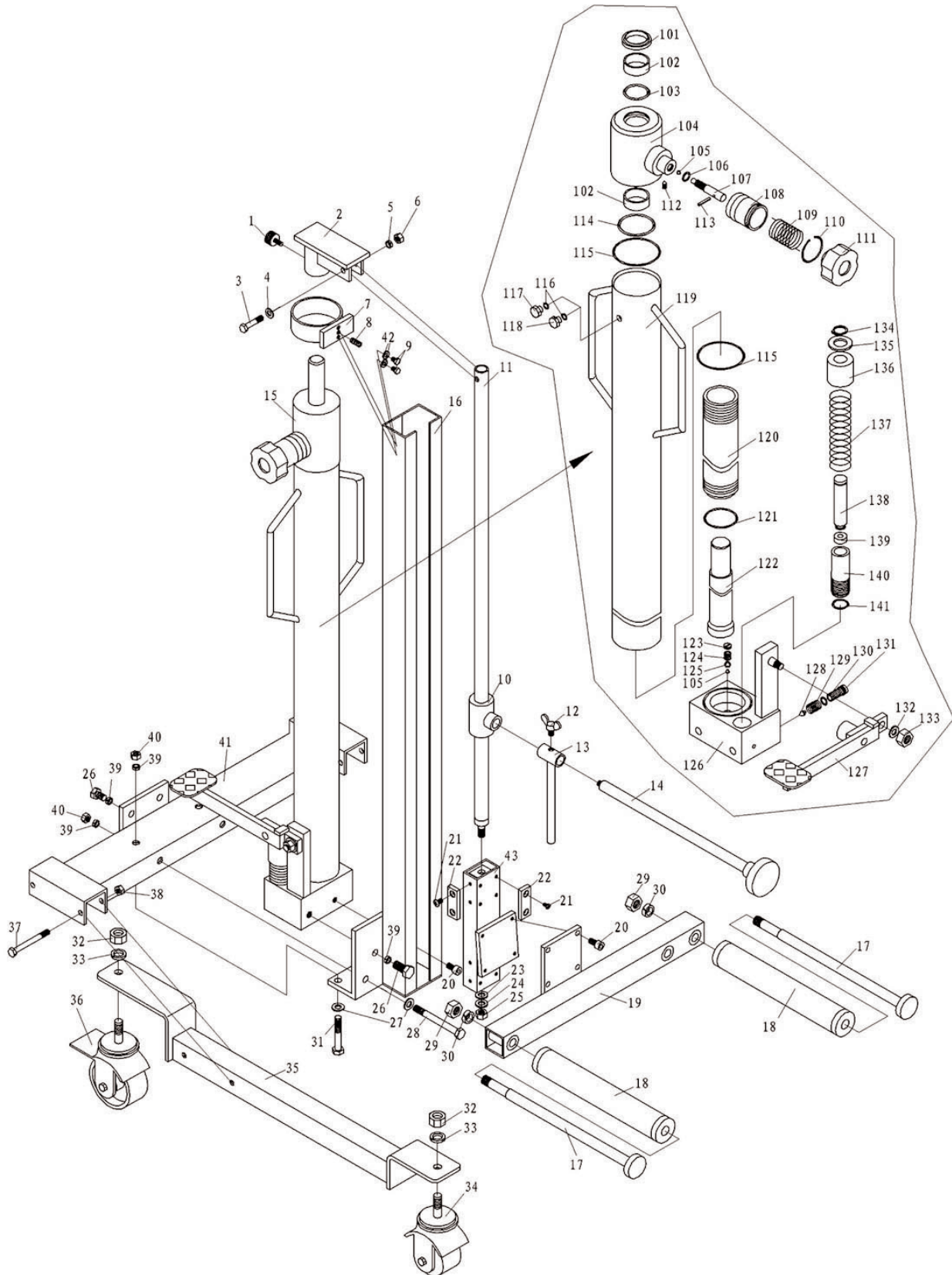


Parts Information:  
**Wheel Removal/Lifter Trolley 80kg Quick Lift**  
**Model No: WD80**



**NOTE:** It is our policy to continually improve products and as such we reserve the right to alter data, specifications and component parts without prior notice.

**IMPORTANT:** No liability is accepted for incorrect use of product.

**WARRANTY:** Guarantee is 12 months from purchase date, proof of which will be required for any claim.



Parts Information:  
**Wheel Removal/Lifter Trolley 80kg Quick  
Lift**  
**Model No: WD80**

Item	Part No.	Description
1	WD80.01	SCREW
2	WD80.02	BRIDGE JOINT
3	WD80.03	BOLT
4	WD80.04	WASHER
5	WD80.05	SPRING WASHER
6	WD80.06	NUT
7	WD80.07	ALIGNMENT RING
8	WD80.08	SCREW
9	WD80.09	SCREW
10	WD80.10	SLIDER
11	WD80.11	PULLING ROD
12	WD80.12	SCREW
13	WD80.13	SAFETY BAR
14	WD80.14	SLIDE BAR
15	WD80.15	HYDRAULIC UNIT
16	WD80.16	MAIN UPRIGHT
17	WD80.17	LIFTING ROD
18	WD80.18	ROLLER
19	WD80.19	LIFTING BEAM
20	WD80.20	BOLT
21	WD80.21	SCREW
22	WD80.22	NYLON PLATE
23	WD80.23	WASHER
24	WD80.24	WASHER
25	WD80.25	NUT
26	WD80.26	BOLT
27	WD80.27	WASHER
28	WD80.28	BOLT
29	SN14.S	STEEL NUT M14 ZINC DIN934(SINGLE)
30	WD80.30	SPRING WASHER
31	WD80.31	BOLT
32	WD80.32	NUT
33	WD80.33	SPRING WASHER
34	WD80.34	WHEEL,SWIVEL CASTOR (64x7x25x89)
35	WD80.35	WHEEL BEAM
36	WD80.36	WHEEL,SWIVEL CASTOR (W/BRAKE) (75x9x32x10)
37	WD80.37	BOLT
38	WD80.38	NUT
39	WD80.39	SPRING WASHER
40	WD80.40	NUT
41	WD80.41	SUPPORTING BEAM
42	WD80.42	WASHER

Item	Part No.	Description
43	WD80.43	SLIDE BLOCK
101	WD80.101	DUST RING
102	WD80.102	BUSH
103	WD80.103	O-RING
104	WD80.104	CYLINDER HEAD
105	SB-9.5	STEEL BALL 9.5mm
106	WD80.106	O-RING
107	WD80.107	RELEASE ROD
108	WD80.108	RELEASE BUSH
109	WD80.109	RELEASE SPRING
110	WD80.110	SNAP RING
111	WD80.111	RELEASE VALVE KNOB
112	WD80.112	SCREW
113	WD80.113	PIN
114	WD80.114	O-RING
115	WD80.115	O-RING
116	WD80.116	O-RING
117	WD80.117	OIL PLUG
118	WD80.118	VENT BOLT
119	WD80.119	RESERVOIR
120	WD80.120	CYLINDER
121	WD80.121	O-RING
122	WD80.122	ROD
123	WD80.123	SCREW
124	WD80.124	SPRING
125	SB-9.5	STEEL BALL 9.5mm
126	WD80.126	PUMP BLOCK
127	WD80.127	PEDAL
128	WD80.128	CONE VALVE
129	WD80.129	SAFETY SPRING
130	WD80.130	O-RING
131	WD80.131	SAFETY SCREW
132	WD80.132	WASHER
133	WD80.133	NUT
134	WD80.134	C-CLIP
135	FWM16.SB	FLAT WASHER M16 BLACK (SINGLE)
136	WD80.136	SPRING CAP
137	WD80.137	SPRING
138	WD80.138	PUMP PISTON
139	WD80.139	U-RING
140	WD80.140	PUMP CYLINDER
141	WD80.141	O-RING

**NOTE:** It is our policy to continually improve products and as such we reserve the right to alter data, specifications and component parts without prior notice.

**IMPORTANT:** No liability is accepted for incorrect use of product.

**WARRANTY:** Guarantee is 12 months from purchase date, proof of which will be required for any claim.

**Sealey Group**, Kempson Way, Suffolk Business Park, Bury St Edmunds, Suffolk. IP32 7AR



01284 757500



01284 703534



sales@sealey.co.uk



www.sealey.co.uk