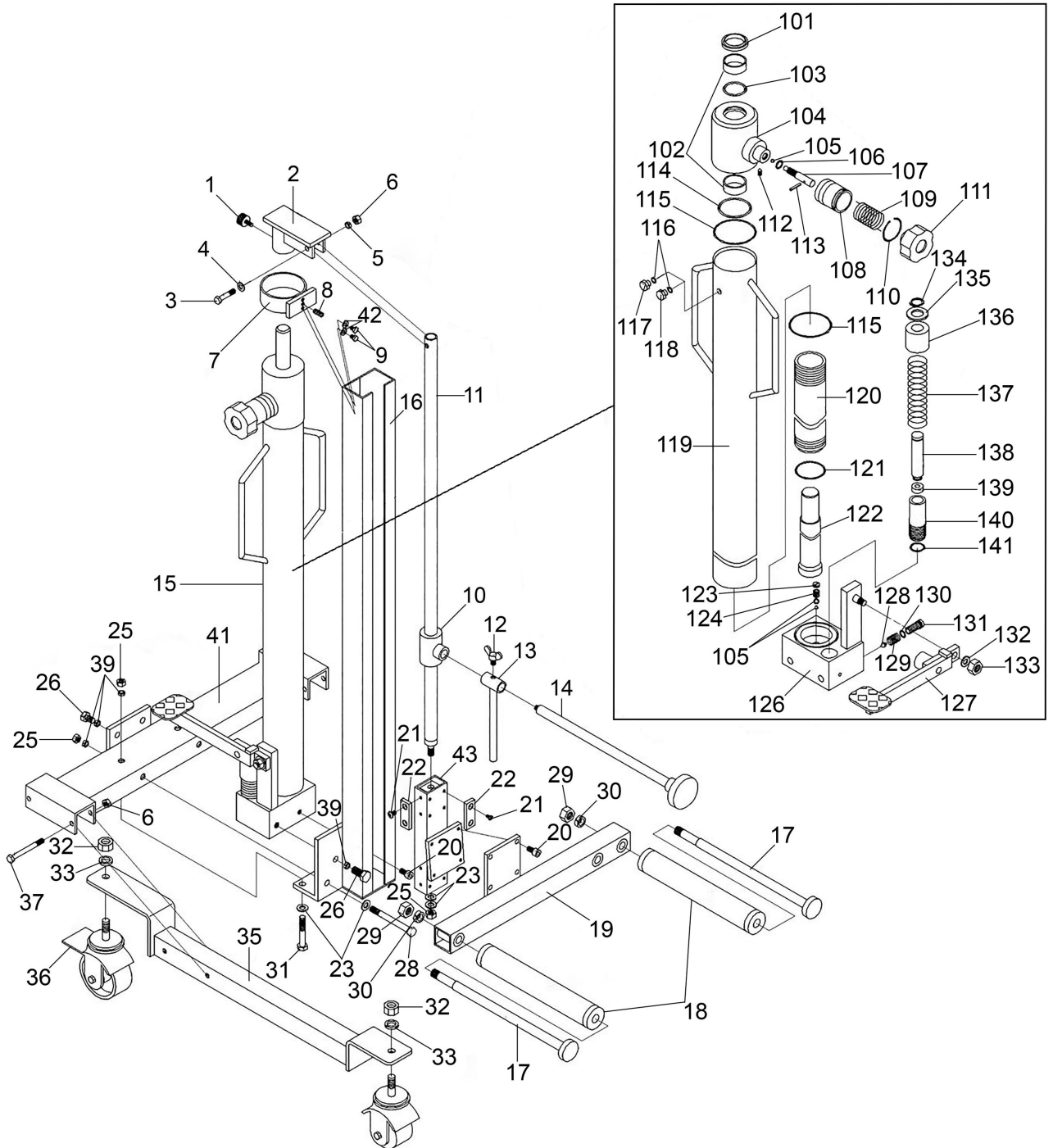


Parts Information:  
**Quick Lift Wheel Removal/Lifter Trolley**  
**80kg**  
**Model No: WD80**



**NOTE:** It is our policy to continually improve products and as such we reserve the right to alter data, specifications and component parts without prior notice. There may be alternative versions of this product, please contact us should you require this information.

**IMPORTANT:** No liability is accepted for incorrect use of product. Spare parts must be fitted by a competent person

**WARRANTY:** Guarantee is 12 months from purchase date, proof of which will be required for any claim.



Parts Information:  
**Quick Lift Wheel Removal/Lifter Trolley**  
**80kg**  
**Model No: WD80**

Item	Part No.	Description	Qty
1	WD80.01	Screw	1
2	WD80.02	Bridge Joint	1
3	SS850.S	Hex Head Set Screw M8 x 50mm	1
4	FWM8.S	Flat Washer M8	1
5	SWM8.S	Spring Washer M8	1
6	SN8.S	Steel Nut M8	5
7	WD80.07	Alignment Ring	1
8	GSM815.S	Grub Screw M8 x 15mm	1
9	MSP612.S	Machine Screw Pan Head Phillips M6 x 12mm	2
10	WD80.10	Slider	1
11	WD80.11	Pulling Rod	1
12	WD80.12	Wing Bolt M6	1
13	WD80.13	Safety Bar	1
14	WD80.14	Slide Bar	1
15	WD80.15	Hydraulic Unit	1
16	WD80.16	Main Upright	1
17	WD80.17	Lifting Rod	2
18	WD80.18	Roller	2
19	WD80.19	Lifting Beam	1
20	SCB816.S	Socket Cap Bolt M8 x 16mm	4
21	MSC614.S	Csk Phillips Machine Screw M6 x 14mm	16
22	WD80.22	Nylon Plate	8
23	FWM10.S	Flat Washer M10	4
25	SN10.S	Steel Nut M10	5
26	SS1025.S	Hex Head Set Screw M10 x 25mm	2
28	HHB10100.S	Hex Head Bolt M10 x 100mm	2
29	SN14.S	Steel Nut M14	2
30	SWM14.S	Spring Washer M14	2
31	HHB1070.S	Hex Head Bolt M10 x 70mm	2
32	SN12.S	Steel Nut M12	4
33	SWM12.S	Spring Washer M12	4
34	WD80.34	Wheel, Swivel Castor, Single Bolt (65 x 25 x 6 x 117mm)	2
35	WD80.35	Wheel Beam	2
36	WD80.36	Wheel, Swivel Castor (w/brake)(75 x 30 x 10 x 140mm)	2
37	HHB865.S	Hex Head Bolt M8 x 65mm	4
39	SWM10.S	Spring Washer M10	6
41	WD80.41	Supporting Beam	1
42	FWM6.S	Flat Washer M6	2
43	WD80.43	Slide Block	1
101	WD80.101	Dust Ring	1

Item	Part No.	Description	Qty
102	WD80.102	Bush	1
103	RE91/10.02	O-Ring (54.28 x 47.22 x 3.53mm)	1
104	WD80.104	Cylinder Head	1
105	SB-9.5	Steel Ball 9.5mm	3
106	WD80.106	O-Ring (16.66 x 12.07 x 2.30mm)	1
107	WD80.107	Release Rod	1
108	WD80.108	Release Bush	1
109	WD80.109	Release Spring Ø 32mm	1
110	WD80.110	Snap Ring	1
111	WD80.111	Knob, Valve Release Ø 64mm x 90mm, M10 x 15mm Thread	1
112	WD80.112	Screw	1
113	500ETJV2-11	Spring Pin M4.2 x 25mm	1
114	AK458DXV4-13	O-Ring (51.10 x 44.04 x 3.53mm)	1
115	AK4560D.209	O-Ring (71.58 x 66.34 x 2.62mm)	1
116	GSA08.09-4	O-Ring (11.21 x 7.65 x 1.78mm)	1
116*	WD80.116N	O-Ring, New Variant (13.83 x 9.39 x 2.22mm)	1
117	WD80.117	Oil Plug	1
118	WD80.118	Vent Bolt	1
118*	WD80.118N	Vent Bolt, New Variant	1
119	WD80.119	Reservoir	1
120	WD80.120	Cylinder	1
121	WD80.121	O-Ring (70.72 x 65.15 x 2.79mm)	1
122	WD80.122	Rod	1
123	WD80.123	Screw	1
124	WD80.124	Spring, Conical	1
126	WD80.126	Pump Block	1
127	WD80.127	Pedal	1
128	WD80.128	Cone Valve	1
129	WD80.129	Spring, Conical	1
130	WD80.130	O-Ring (14.42 x 9.59 x 2.42mm)	1
131	WD80.131	Safety Screw	1
132	FWM12.SB	Flat Washer M12 Black	1
133	SN12.SB	Steel Nut M12 Black	1
134	WD80.134	C-Clip	1
135	FWM16.SB	Flat Washer M16 Black	1
136	WD80.136	Spring Cap	1
137	WD80.137	Spring Ø 36.6mm	1
138	WD80.138	Pump Piston	1
139	WD80.139	U-Ring	1
140	WD80.140	Pump Cylinder	1
141	WD80.141	O-Ring (26.75 x 22.03 x 2.36mm)	1

**NOTE:** It is our policy to continually improve products and as such we reserve the right to alter data, specifications and component parts without prior notice. There may be alternative versions of this product, please contact us should you require this information.

**IMPORTANT:** No liability is accepted for incorrect use of product. Spare parts must be fitted by a competent person

**WARRANTY:** Guarantee is 12 months from purchase date, proof of which will be required for any claim.

Sealey Group, Kempson Way, Suffolk Business Park, Bury St Edmunds, Suffolk. IP32 7AR



01284 757500



sales@sealey.co.uk



www.sealey.co.uk