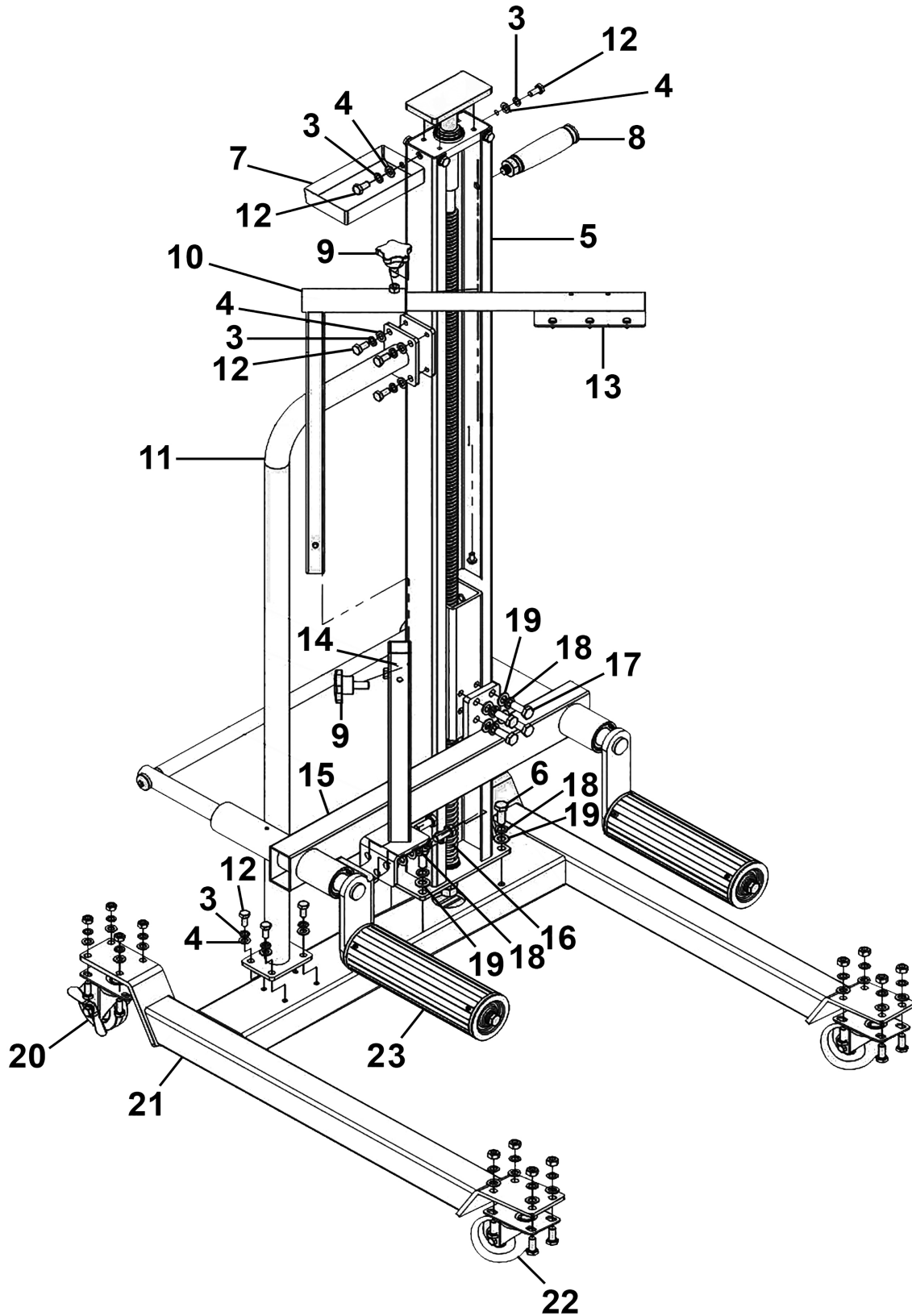


Parts Information:  
**Quick Lift Wheel Removal/Lifter Trolley**  
**50kg**  
**Model No: WD50QLS**



**NOTE:** It is our policy to continually improve products and as such we reserve the right to alter data, specifications and component parts without prior notice. There may be alternative versions of this product, please contact us should you require this information.

**IMPORTANT:** No liability is accepted for incorrect use of product. Spare parts must be fitted by a competent person

**WARRANTY:** Guarantee is 12 months from purchase date, proof of which will be required for any claim.



Parts Information:  
**Quick Lift Wheel Removal/Lifter Trolley**  
**50kg**  
**Model No: WD50QLS**

Item	Part No.	Description	Qty
3	SWM8.S	Spring Washer M8 Zinc	3
4	FWM8.S	Flat Washer M8 Zinc	3
5	WD50QLS-05	Main Upright Assembly	1
6	SS1025.S	Hex Head Set Screw M10 X 25 Zinc	4
7	WD50QLS-07	Tool Tray	1
8	WD50QLS-08	Side Handle	1
9	WD50QLS-09	Knob, Plastic, Knurled	2
10	WD50QLS-10	Tyre Holder Upright	1
11	WD50QLS-11	Main Steering Handle	1
12	SS816.S	Hex Head Set Screw M8 X 16 Zinc	9
13	WD50QLS-13	Tyre Holder	1

Item	Part No.	Description	Qty
14	WD50QLS-14	Socket for Tyre Holder	1
15	WD50QLS-15	Lift Arm Assembly	1
16	SS1025.S	Hex Head Set Screw M10 X 25 Zinc	3
17	SS1035.S	Hex Head Set Screw M10 X 35 Zinc	4
18	SWM10.S	Spring Washer M10 Zinc	11
19	FWM10.S	Flat Washer M10 Zinc	11
20	WD50QLS-20	Locking Castor	2
21	WD50QLS-21	Frame Base	1
22	WD50QLS-22	Fixed Castor	2
23	WD50QLS-23	Roller Assembly	2

**NOTE:** It is our policy to continually improve products and as such we reserve the right to alter data, specifications and component parts without prior notice. There may be alternative versions of this product, please contact us should you require this information.

**IMPORTANT:** No liability is accepted for incorrect use of product. Spare parts must be fitted by a competent person

**WARRANTY:** Guarantee is 12 months from purchase date, proof of which will be required for any claim.

**Sealey Group**, Kempson Way, Suffolk Business Park, Bury St Edmunds, Suffolk. IP32 7AR



01284 757500



sales@sealey.co.uk



www.sealey.co.uk