

NOTE: It is our policy to continually improve products and as such we reserve the right to alter data, specifications and component parts without prior notice. There may be alternative versions of this product, please contact us should you require this information.

IMPORTANT: No liability is accepted for incorrect use of product. Spare parts must be fitted by a competent person

WARRANTY: Guarantee is 12 months from purchase date, proof of which will be required for any claim.



Parts Information:
Quick Lift Wheel Removal/Lifter Trolley
100kg
Model No: WD100S

Item	Part No.	Description
1	WD100S-01	Adjusting Thread Bolt M6x16
2	WD100S-02	Bridge Joint
3	WD100S-03	Hex Head Bolt M8x40
4	FWM8.S	Flat Washer M8 Zinc
5	SWM8.S	Spring Washer M8 Zinc
6	SN8.S	Steel Nut M8 Zinc
7	WD100S-07	Alignment Ring
8	GSM68.S	Grub Screw M6x8 (single)
9	SS610.S	Hex Head Set Screw M6 X 10 Zinc
10	WD100S-10	Chain
11	WD100S-11	Pulling Rod
12	WD100S-12	Wing Bolt M8x12
13	WD100S-13	Guide Roller Pin
14	WD100S-14	Guide Roller
15	WD100S-15	Hydraulic Unit
16	WD100S-16	Main Upright
17	WD100S-17	Lifting Rod
18	WD100S-18	Roller
19	WD100S-19	Lifting Beam
20	SCB816.SB	Socket Cap Bolt M8 x 16mm Black
21	MSC510.SB	Csk Phillips Machine Screw M5 X 10 Black
22	WD100S-22	Nylon Plate
23	FWM10.S	Flat Washer M10 Zinc
24	FWM10.S	Flat Washer M10 Zinc

Item	Part No.	Description
25	SN10.S	Steel Nut M10 Zinc
26	SS1020.S	Hex Head Set Screw M10 X 20 Zinc
27	FWM10.S	Flat Washer M10 Zinc
28	WD100S-28	Socket Cap Bolt M10x110
29	SN14.S	Steel Nut M14 Zinc
30	SWM14.S	Spring Washer M14 Zinc
31	WD100S-31	Socket Cap Bolt M10x65
32	SN12.S	Steel Nut M12 Zinc
33	SWM12.S	Spring Washer M12 Zinc
34	WD100S-34	Wheel, Swivel Castor (64x7x25x89)
35	WD100S-35	Wheel Beam
36	WD100S-36	Wheel, Swivel Castor (w/Brake) (75x9x32x10)
37	HHB860.S	Hex Head Bolt M8 x 60mm
38	SN8.S	Steel Nut M8 Zinc
39	SWM10.S	Spring Washer M10 Zinc
40	SN10.S	Steel Nut M10 Zinc
41	WD100S-41	Supporting Beam
42	FWM6.S	Flat Washer M6 Zinc
43	WD100S-43	Side Block
44	WD100S-44	Stop Lever
45	WD100S-45	Hex Head Bolt M6x35
46	SWM6.S	Spring Washer M6 Zinc
47	SN6.S	Steel Nut M6 Zinc

NOTE: It is our policy to continually improve products and as such we reserve the right to alter data, specifications and component parts without prior notice. There may be alternative versions of this product, please contact us should you require this information.

IMPORTANT: No liability is accepted for incorrect use of product. Spare parts must be fitted by a competent person

WARRANTY: Guarantee is 12 months from purchase date, proof of which will be required for any claim.

Sealey Group, Kempson Way, Suffolk Business Park, Bury St Edmunds, Suffolk. IP32 7AR



01284 757500



sales@sealey.co.uk

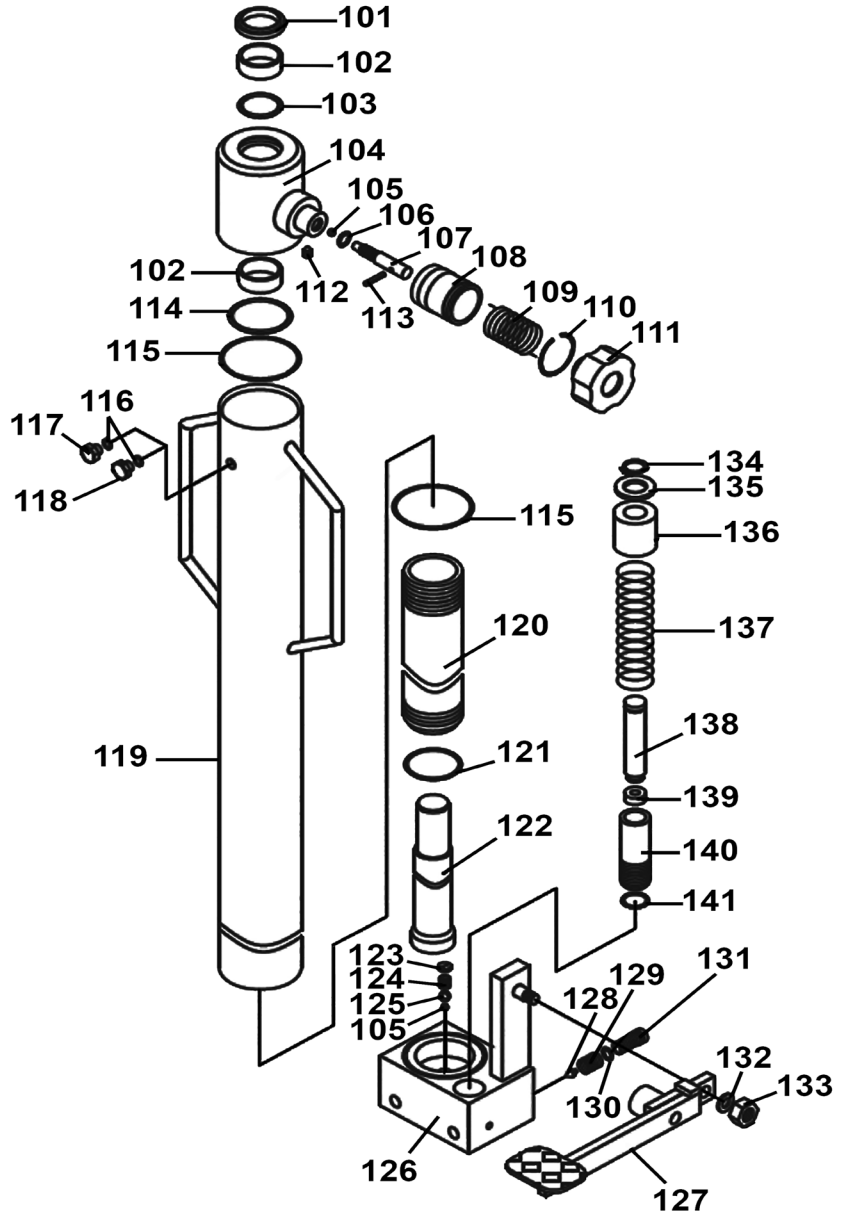


www.sealey.co.uk



Parts Information:
Quick Lift Wheel Removal/Lifter Trolley
100kg
Model No: WD100S

Item	Part No.	Description
101	WD100S-101	Dust Ring
102	WD100S-102	Bush
103	WD100S-103	O-Ring
104	WD100S-104	Cylinder Head
105	SB-9.5	Steel Ball 9.5mm
106	WD100S-106	O-Ring
107	WD100S-107	Release Rod
108	WD100S-108	Release Bush
109	WD100S-109	Release Spring
110	WD100S-110	Snap Ring
111	WD100S-111	Release Valve Knob
112	GSM610.S	Grub Screw M6x10 (single)
113	WD100S-113	Pin
114	WD100S-114	O-Ring
115	WD100S-115	O-Ring
116	WD100S-116	O-Ring
117	WD100S-117	Oil Plug
118	WD100S-118	Vent Plug
119	WD100S-119	Reservoir
120	WD100S-120	Cylinder
121	WD100S-121	O-Ring
122	WD100S-122	Rod
123	WD100S-123	Stud Screw M12x3
124	WD100S-124	Spring
125	SB-9.5	Steel Ball 9.5mm
126	WD100S-126	Pump Block
127	WD100S-127	Pedal
128	WD100S-128	Cone Valve
129	WD100S-129	Safety Spring
130	WD100S-130	O-Ring
131	WD100S-131	Safety Screw
132	FWM10.S	Flat Washer M10 Zinc
133	SN10.S	Steel Nut M10 Zinc
134	WD100S-134	C-Clip
135	FWM16.SB	Flat Washer M16 Black
136	WD100S-136	Spring Cap
137	WD100S-137	Spring
138	WD100S-138	Pump Piston
139	WD100S-139	U-Spring
140	WD100S-140	Pump Cylinder
141	WD100S-141	O-Ring



NOTE: It is our policy to continually improve products and as such we reserve the right to alter data, specifications and component parts without prior notice. There may be alternative versions of this product, please contact us should you require this information.

IMPORTANT: No liability is accepted for incorrect use of product. Spare parts must be fitted by a competent person

WARRANTY: Guarantee is 12 months from purchase date, proof of which will be required for any claim.

Sealey Group, Kempson Way, Suffolk Business Park, Bury St Edmunds, Suffolk. IP32 7AR



01284 757500



sales@sealey.co.uk



www.sealey.co.uk