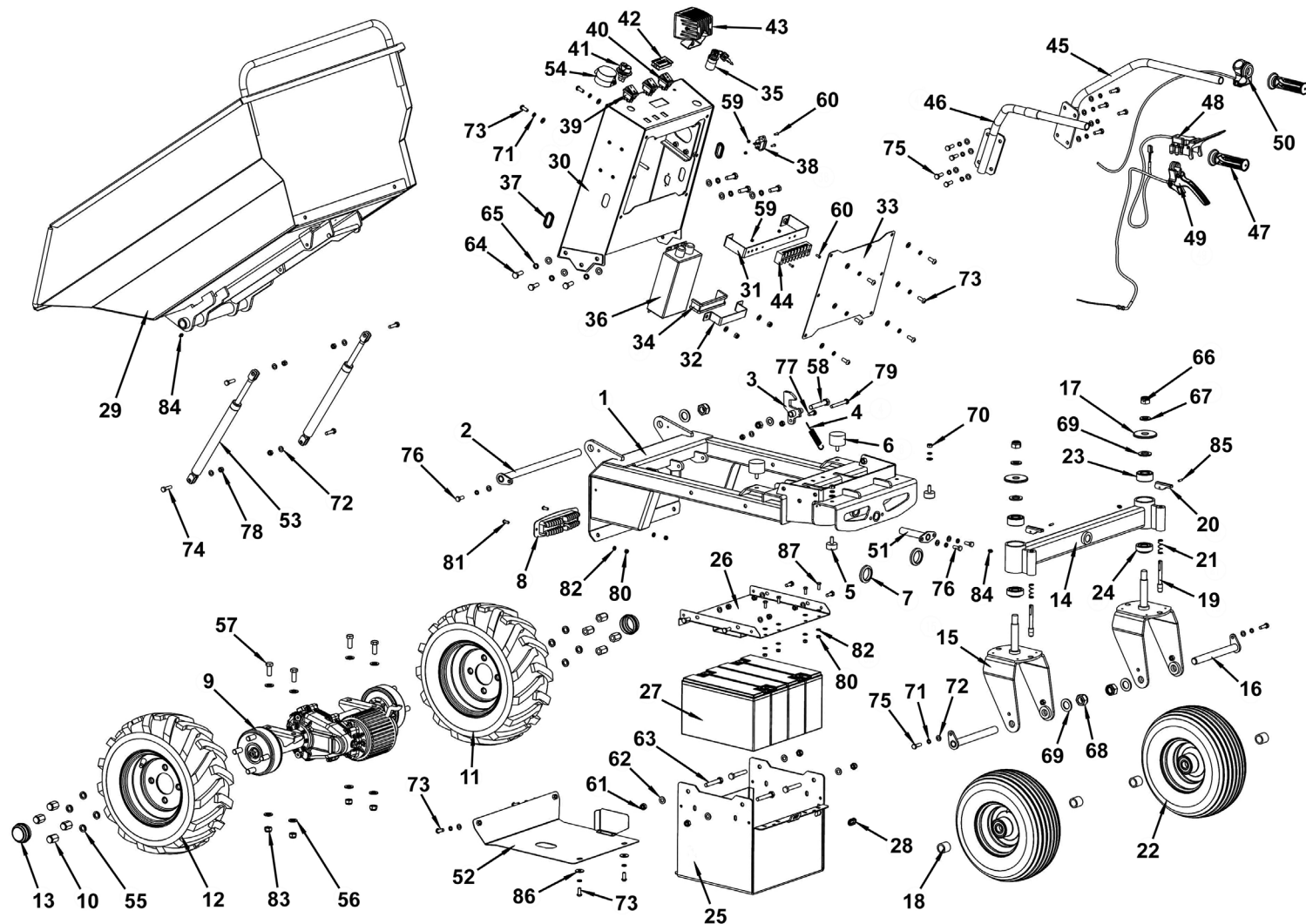




Parts Information:
Electric Mini Dumper 500kg
Model No: WBR500E



NOTE: It is our policy to continually improve products and as such we reserve the right to alter data, specifications and component parts without prior notice.

There may be alternative versions of this product, please contact us should you require this information.

IMPORTANT: No liability is accepted for incorrect use of product. Spare parts must be fitted by a competent person

WARRANTY: Guarantee is 12 months from purchase date, proof of which will be required for any claim.

Sealey Group, Kempson Way, Suffolk Business Park, Bury St Edmunds, Suffolk. IP32 7AR



01284 757500



sales@sealey.co.uk



www.sealey.co.uk



TM

Parts Information:
Electric Mini Dumper 500kg
Model No: WBR500E

Item	Part No.	Description	Qty
1	WBR500E-01	Chassis	1
2	WBR500E-02	Tipping Bucket Shaft	1
3	WBR500E-03	Tipping Bucket Hook	1
4	WBR500E-04	Tension Spring	1
5	WBR500E-05	Rubber Shock Absorber Pad	2
6	WBR500E-06	Rubber Pad	2
7	WBR500E-07	Protective Ring	2
8	WBR500E-08	LED Light	1
9	WBR500E-09	Transaxle Motor Assembly	1
10	WBR500E-10	Wheel Hub Nut M14	6
11	WBR500E-11	Pneumatic Type (16 x 6.5-8)	1
12	WBR500E-12	Pneumatic Type (16 x 6.5-8)	1
13	WBR500E-13	Dust Cap	2
14	WBR500E-14	Steering Beam	1
15	WBR500E-15	Steering Bracket	2
16	WBR500E-16	Wheel Axle for Fixed Wheel	2
17	WBR500E-17	End Cap	2
18	WBR500E-18	Wheel Axle Sleeve	4
19	WBR500E-19	Steering Bracket Pin	2
20	WBR500E-20	Cam Handle	2
21	WBR500E-21	Cam Handle Spring	2
22	WBR500E-22	Fixed Wheel (13 x 5.00-6)	2
23	WBR500E-23	Ball Bearing 3204-2RS	2
24	WBR500E-24	Ball Bearing 32204	2
25	WBR500E-25	Battery Box	1
26	WBR500E-26	Battery Box Top Plate	1
27	WBR500E-27	Battery 32Ah 12V	4
28	WBR500E-28	Cable Protective Ring (13 x 27)	1
29	WBR500E-29	Dumper Bucket	1
30	WBR500E-30	Control Console	1
31	WBR500E-31	Terminal Board Bracket	1
32	WBR500E-32	Controller Fixed Plate	1
33	WBR500E-33	Controller Cover Plate	1
34	WBR500E-34	Rubber Strap	1
35	WBR500E-35	Electric Lock & Key	1
36	WBR500E-36	Controller	1
37	WBR500E-37	Cable Protective Ring (20 x 44)	2
38	WBR500E-38	Power Socket	1
39	WBR500E-39	Rocker Switch (for LED Light)	2
40	WBR500E-40	Rocker Switch 3-Position (for Speed)	1
41	WBR500E-41	Power Switch 50A	1
42	WBR500E-42	Voltmeter	1
43	WBR500E-43	LED Light	1
44	WBR500E-44	Terminal	1

Item	Part No.	Description	Qty
45	WBR500E-45	Handle Bar (Right Side)	1
46	WBR500E-46	Handle Bar (Left Side)	1
47	WBR500E-47	Handle Grip	2
48	WBR500E-48	Safety Control Handle	1
49	WBR500E-49	Tipping Bucket Handle	1
50	WBR500E-50	Throttle Control	1
51	WBR500E-51	Swing Axle	1
52	WBR500E-52	Transaxle Guard Plate	1
53	WBR500E-53	Gas Strut	2
54	WBR500E-54	Waterproof Cover	1
55	SWM14.S	Spring Washer M14 Zinc	8
56	FWM12.S	Flat Washer M12 Zinc	9
57	SS1230.S	Hex Head Set Screw M12 X 30 Zinc	4
58	HHB1265.S	Hex Head Bolt M12 x 65mm	1
59	NLN4.S	Nyloc Nut M4 Zinc	4
60	WBR500E-60	Hex Socket Screw M4x12	4
61	NLN10.S	Nyloc Nut M10 Zinc	4
62	FWM10.S	Flat Washer M10 Zinc	10
63	HHB1060.S	Hex Head Bolt M10 x 60mm	4
64	SS1030.S	Hex Head Set Screw M10 X 30 Zinc	6
65	SWM10.S	Spring Washer M10 Zinc	6
66	NLN16.S	Nyloc Nut M16 Zinc	2
67	FWM16.S	Flat Washer M16 Zinc	2
68	NLN20.S	Nyloc Nut M20 Zinc	3
69	FWM20.S	Flat Washer M20	5
70	SN8.S	Steel Nut M8 Zinc	2
71	SWM8.S	Spring Washer M8 Zinc	28
72	FWM8.S	Flat Washer M8 Zinc	37
73	WBR500E-73	Hex Socket Screw M8x20	12
74	SS830.S	Hex Head Set Screw M8 X 30 Zinc	4
75	SS825.S	Hex Head Set Screw M8 X 25 Zinc	10
76	SS820.S	Hex Head Set Screw M8 X 20 Zinc	8
77	SS820.S	Hex Head Set Screw M8 X 20 Zinc	1
78	NLN8.S	Nyloc Nut M8 Zinc	12
79	SS865.S	Hex Head Set Screw M8 x 65	1
80	NLN6.S	Nyloc Nut M6 Zinc	6
81	MSP616.S	Machine Screw Pan Head Ph M6 x 16mm	2
82	FWM6.S	Flat Washer M6 Zinc	10
83	NLN12.S	Nyloc Nut M12 Zinc	5
84	WBR500E-84	Oil Filler Cup M6	3
85	WBR500E-85	Spring Pin M4.5 X 16	2
86	FWM8.S	Flat Washer M8 Zinc	2
87	MSP616.S	Machine Screw Pan Head Ph M6 x 16mm	4

NOTE: It is our policy to continually improve products and as such we reserve the right to alter data, specifications and component parts without prior notice. There may be alternative versions of this product, please contact us should you require this information.

IMPORTANT: No liability is accepted for incorrect use of product. Spare parts must be fitted by a competent person

WARRANTY: Guarantee is 12 months from purchase date, proof of which will be required for any claim.

Sealey Group, Kempson Way, Suffolk Business Park, Bury St Edmunds, Suffolk. IP32 7AR



01284 757500



sales@sealey.co.uk



www.sealey.co.uk