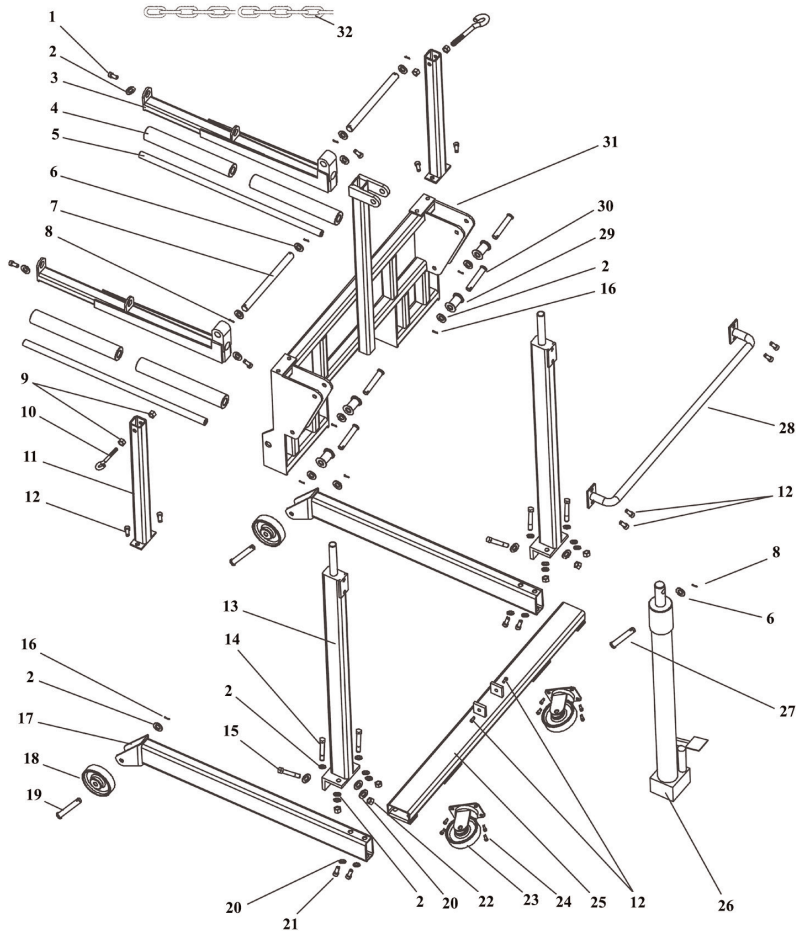


Parts Information: Wheel Removal Trolley 500kg Adjustable Width Model No: W508T



Item	Part No.	Description
1	SCB1230.SB	SOCKET CAP BOLT BLACK M12X30
2	FWM12.S	FLAT WASHER M12 SINGLE
3	W508T.03	SUPPORT BEAM
4	W508T.04	ROLLING TUBE
5	W508T.05	AXLE
6	FWM20.S	FLAT WASHER M20 SINGLE
7	W508T.07	AXLE
8	W508T.08	PIN
9	SN8.SW	WING NUT M8 (SINGLE)
10	W508T.10	HOOK
11	W508T.11	COLUMN
12	SS1020.S	HEX HEAD SET SCREW M10x20mm SINGLE
13	W508T.13	POST
14	HCC08.15	BOLT (M12*70)
15	HFC08.V2-S8	BOLT M12*110 (SO)
16	W508T.16	PIN
17	W508T.17	SUPPORT BEAM

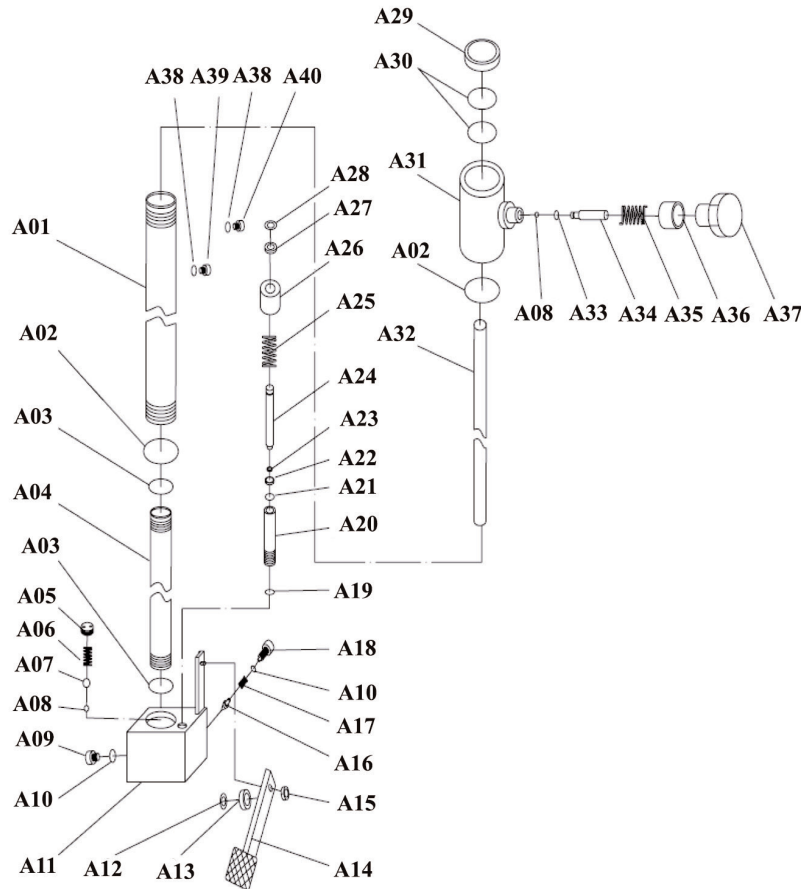
Item	Part No.	Description
18	W508T.18	WHEEL, FIXED (98x12x32)
19	W508T.19	PIN
20	SWM10.SB	SPRING WASHER M10 BLACK(SINGLE)
21	SCB1230.SB	SOCKET CAP BOLT BLACK M12X30
22	SN12.S	STEEL NUT M12 ZINC DIN934(SINGLE)
23	W508T.23	WHEEL, SWIVEL CASTOR (100x12x32x125)
24	SS825.S	HEX HEAD SET SCREW M8x25mm SINGLE
25	W508T.25	BASE BEAM
26	W508TV2-26	HYDRAULIC JACK
27	W508T.27	PIN
28	W508T.28	HANDLE
--	TP13.7	HANDLE GRIP (NOT SHOWN)
30	W508T.29	ROLLER TUBE
31	W508T.30	PIN
32	W508T.31	LIFTING BRACKET
32	W508T.32	SAFETY CHAIN

NOTE: It is our policy to continually improve products and as such we reserve the right to alter data, specifications and component parts without prior notice.

IMPORTANT: No liability is accepted for incorrect use of product.

WARRANTY: Guarantee is 12 months from purchase date, proof of which will be required for any claim.

Parts Information: Wheel Removal Trolley 500kg Adjustable Width Model No: W508T



Item	Part No.	Description
A01	W508T.A01	RESERVOIR
A02	W508T.A02	O-RING
A03	W508T.A03	O-RING
A04	W508T.A04	CYLINDER
A05	W508T.A05	SCREW
A06	W508T.A06	SPRING
A07	SB-9.5	STEEL BALL 9.5mm
A08	SB-6.0	STEEL BALL 6.0mm
A09	W508T.A09	SCREW
A10	W508T.A10	O-RING
A11	W508T.A11	BASE
A12	W508T.A12	SNAP RING
A13	W508T.A13	ROLLER
A14	W508T.A14	FOOT PEDAL
A15	NLN10.S	NYLOC NUT M10 ZINC (SINGLE)
A16	W508T.A16	VALVE ROD
A17	W508T.A17	ADJUST SPRING
A18	W508T.A18	SCREW
A19	W508T.A19	O-RING
A20	W508T.A20	PUMP CYLINDER

Item	Part No.	Description
A21	W508T.A21	O-RING
A22	W508T.A22	DUST SEAL
A23	W508T.A23	SEAL
A24	W508T.A24	PISTON ROD
A25	W508T.A25	SPRING
A26	W508T.A26	DUST COVER
A27	W508T.A27	BROKEN RING
A28	W508T.A28	SNAP RING
A29	W508T.A29	DUST SEAL
A30	W508T.A30	O-RING
A31	W508T.A31	CYLINDER HEAD
A32	W508T.A32	RAM
A33	W508T.A33	O-RING
A34	W508T.A34	RELEASE ROD
A35	W508T.A35	SPRING
A36	W508T.A36	COVER
A37	W508T.A37	KNOB
A38	W508T.A38	O-RING
A39	W508T.A39	AIR VENT VALVE
A40	W508T.A40	SCREW

NOTE: It is our policy to continually improve products and as such we reserve the right to alter data, specifications and component parts without prior notice.

IMPORTANT: No liability is accepted for incorrect use of product.

WARRANTY: Guarantee is 12 months from purchase date, proof of which will be required for any claim.