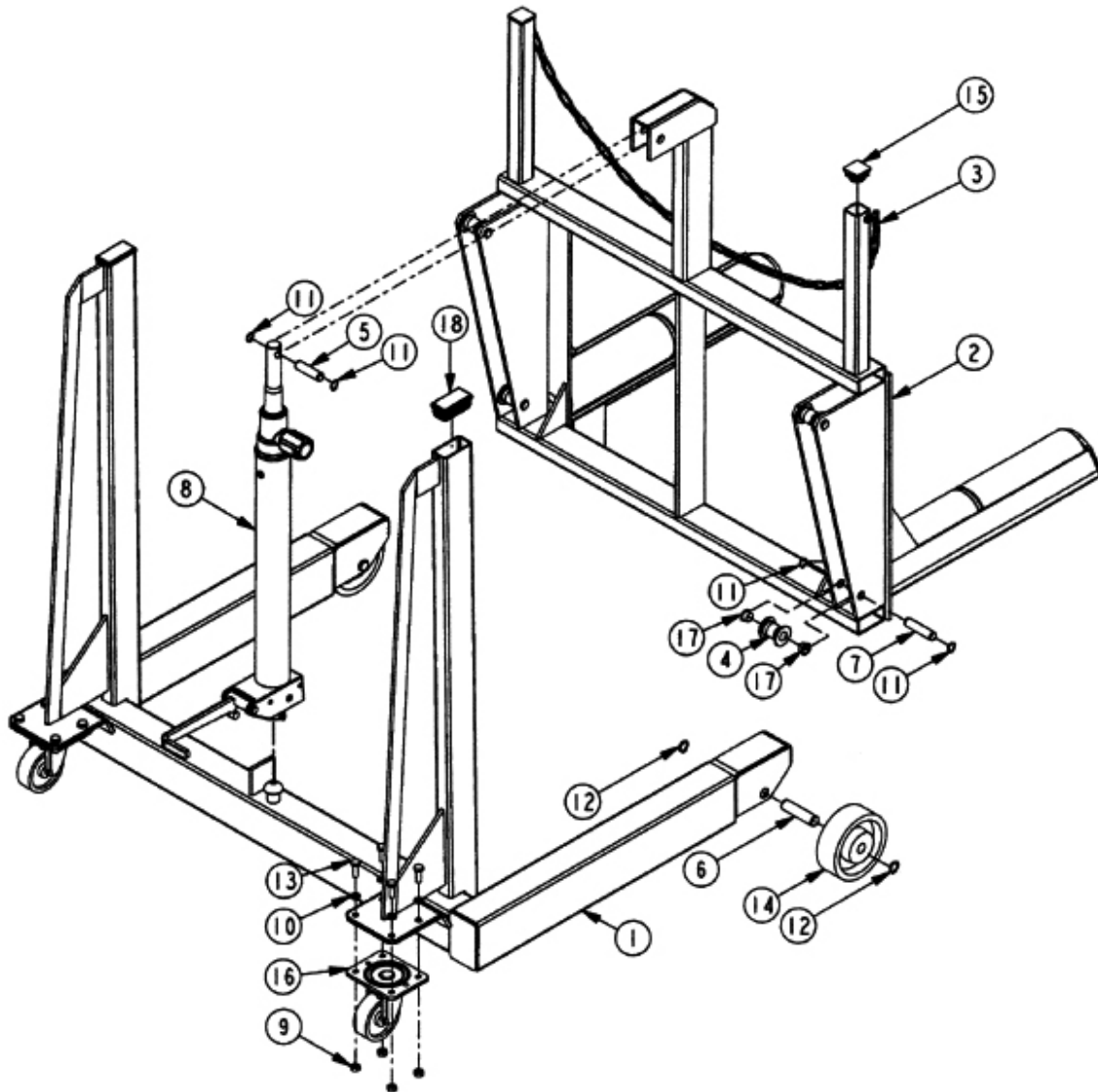


Parts Information:  
**Wheel Removal Trolley 1000kg Premier  
 Viking Heavy-Duty  
 Model No: W100T**



Item	Part No.	Description
1	100/6101100	BOTTOM FRAME
2	100/6101200	LIFTING FRAME
3	100/6000900	CHAIN, 3 metres
4	100/6001500	STEERING CYLINDER
5	100/1000800	BOLT FOR JIB/HYDRAULIC
6	100/1100800	AXLE FOR WHEELS
7	100/1101000	AXLE
8	100/9083500	PUMP COMPLETE
9	SN10.S	STEEL NUT M10 ZINC DIN934(SINGLE)
10	100/02116	WASHER PLATE

Item	Part No.	Description
11	100/02204	CIRCLIP
12	GSM810.S	GRUB SCREW M8x10 (SINGLE)
13	SS1030.S	HEX HEAD SET SCREW M10x30mm SINGLE
14	100/02353	WHEEL, FIXED (150x19x51)
15	100/02372	PLASTIC PLUG
16	100/02459	WHEEL, CASTOR (122x13x51x180)
17	100/0255500	BUSHING
18	100/0258600	PLUG
--	100/0903800	REPAIR KIT (NOT SHOWN)

**NOTE:** It is our policy to continually improve products and as such we reserve the right to alter data, specifications and component parts without prior notice.

**IMPORTANT:** No liability is accepted for incorrect use of product.

**WARRANTY:** Guarantee is 12 months from purchase date, proof of which will be required for any claim.