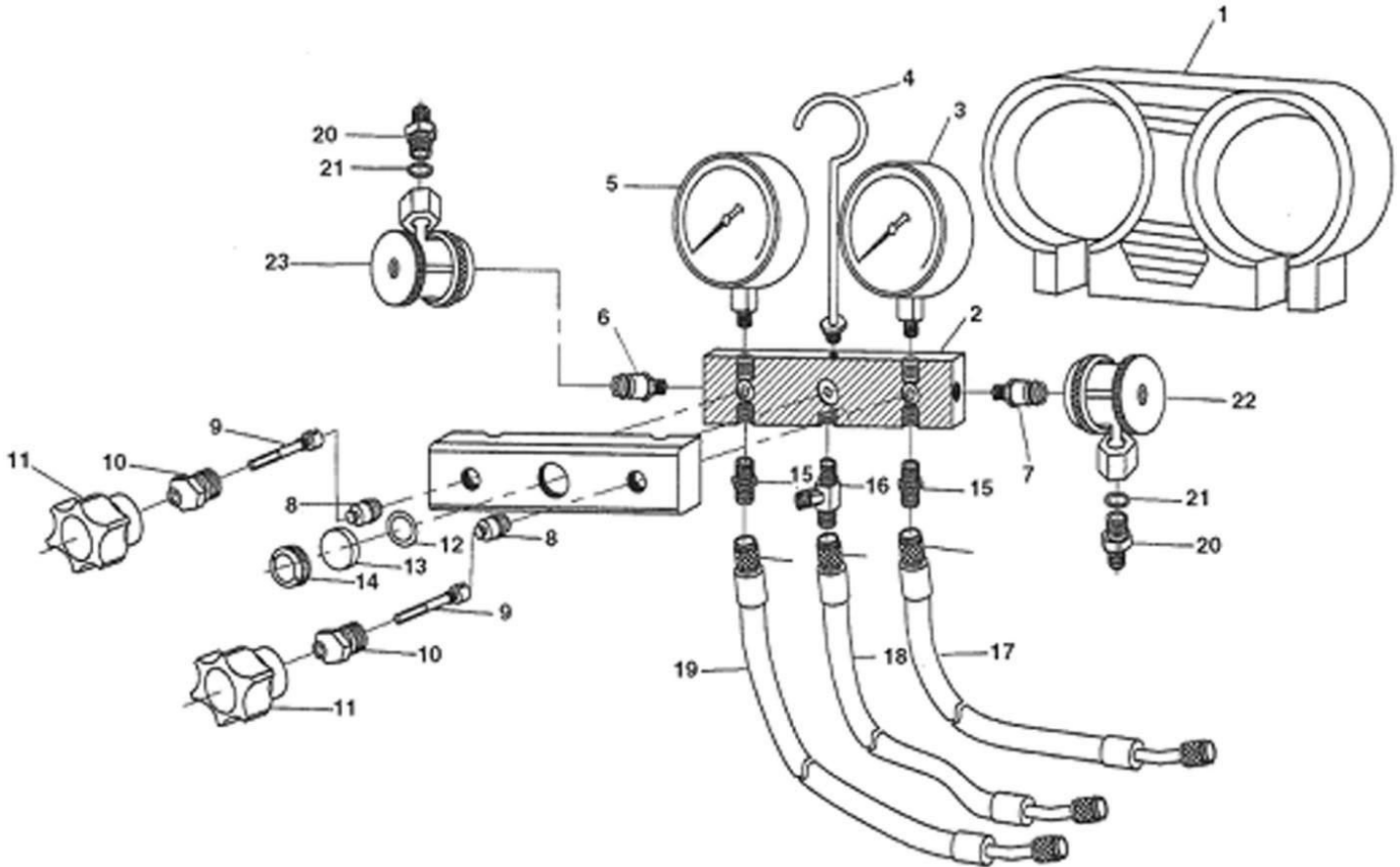




Parts Information:
**Air Conditioning System Manifold with
 Sight Glass**
Model No: VSAC002.V2



Item	Part No.	Description
1	VSAC002.V2-01	RUBBER COVER
2	VSAC002.V2-02	MANIFOLD BODY
3	VSAC002.V2-03	PRESSURE GAUGE 500psi, 70mm OD, btm fitt
4	VSAC002.V2-04	HOOK SET
5	VSAC002.V2-05	PRESSURE GAUGE 350psi, 70mm OD, BTM FITT
6	VSAC002.V2-06	CONNECTOR (LOW PRESSURE)
7	VSAC002.V2-07	CONNECTOR (HIGH PRESSURE)
8	VSAC002.V2-08	VALVE SEAT
9	VSAC002.V2-09	VALVE STEM
10	VSAC002.V2-10	VALVE NUT
11	VSAC002.V2-11	KNOB (RED)
--	VSAC002.V2-11B	KNOB (BLUE) (NOT SHOWN)

Item	Part No.	Description
12	VSAC002.V2-12	O-RING
13	VSAC002.V2-13	GLASS
14	VSAC002.V2-14	RING NUT
15	VSAC002.V2-15	CONNECTOR
16	VSAC002.V2-16	FITTING (T-SHAPE)
17	VSAC002.V2-17	HIGH PRESSURE HOSE (RED)
18	VSAC002.V2-18	HIGH PRESSURE HOSE (YELLOW)
19	VSAC002.V2-19	LOW PRESSURE HOSE (BLUE)
20	VSAC002.V2-20	CONNECTOR
21	VSAC002.V2-21	O-RING
22	VSAC002.V2-22	HIGH PRESSURE COUPLER+VALVE (RED)
23	VSAC002.V2-23	LOW PRESSURE COUPLER+VALVE (BLUE)

NOTE: It is our policy to continually improve products and as such we reserve the right to alter data, specifications and component parts without prior notice.

IMPORTANT: No liability is accepted for incorrect use of product.

WARRANTY: Guarantee is 12 months from purchase date, proof of which will be required for any claim.

Sealey Group, Kempson Way, Suffolk Business Park, Bury St Edmunds, Suffolk. IP32 7AR



01284 757500



01284 703534



sales@sealey.co.uk



www.sealey.co.uk