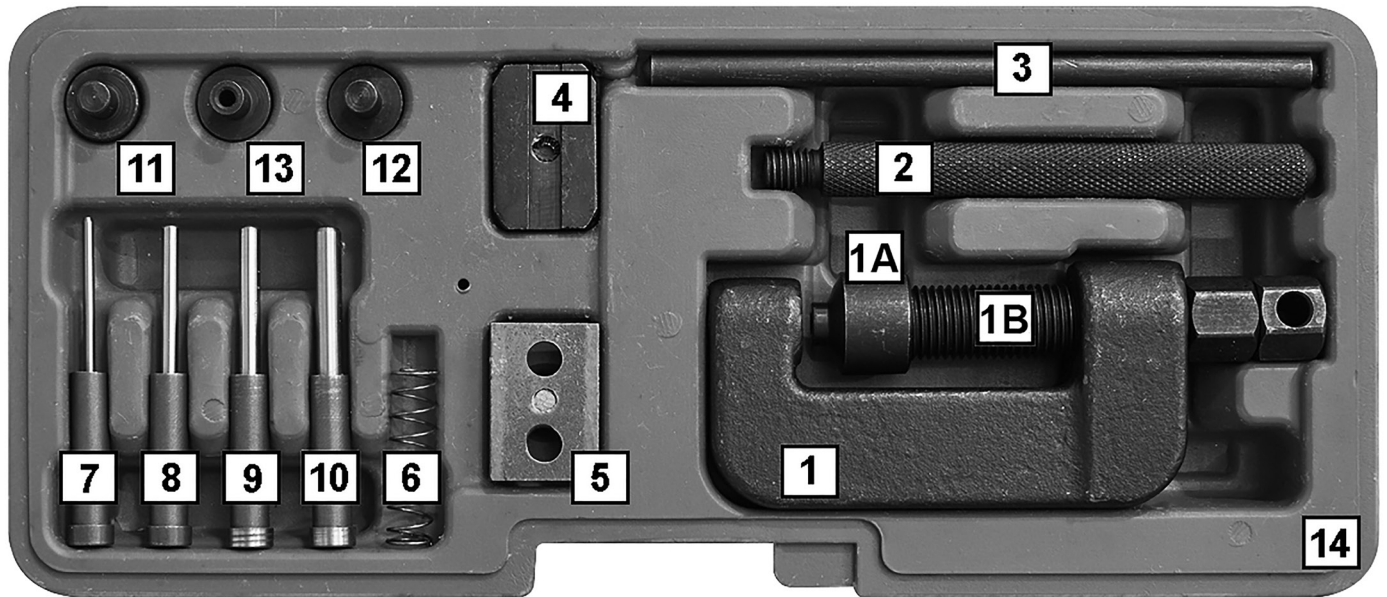




Parts Information:
Motorcycle Chain Breaker & Riveter
Model No: VS779.V4



Item	Part No.	Description
1	VS779.V4-01	Body
1A	VS779.V4-01A	Anvil
1B	VS779.V4-01B	Alignment Bolt
2	VS779.V4-02	Lever
3	VS779.V4-03	Handle
4	VS779.V4-04	Press Plate (A)
5	VS779.V4-05	Press Plate (B)
6	VS779.V4-06	Spring
7	VS779.V4-07	Breaking Tip 2.2mm

Item	Part No.	Description
8	VS779.V4-08	Breaking Tip 3.2mm
9	VS779.V4-09	Breaking Tip 4.0mm
10	VS779.V4-10	Riveting Pin 5mm
11	VS779.V4-11	Anvil 6mm
12	VS779.V4-12	Anvil 3mm
13	VS779.V4-13	Lower Pin Guide 2.2mm
14	VS779.V4-BMC	Blow Mould Case
--	SB-4.0	Steel Ball 4.0mm (Not Shown)

NOTE: It is our policy to continually improve products and as such we reserve the right to alter data, specifications and component parts without prior notice. There may be alternative versions of this product, please contact us should you require this information.

IMPORTANT: No liability is accepted for incorrect use of product. Spare parts must be fitted by a competent person

WARRANTY: Guarantee is 12 months from purchase date, proof of which will be required for any claim.

Sealey Group, Kempson Way, Suffolk Business Park, Bury St Edmunds, Suffolk. IP32 7AR



01284 757500



sales@sealey.co.uk



www.sealey.co.uk