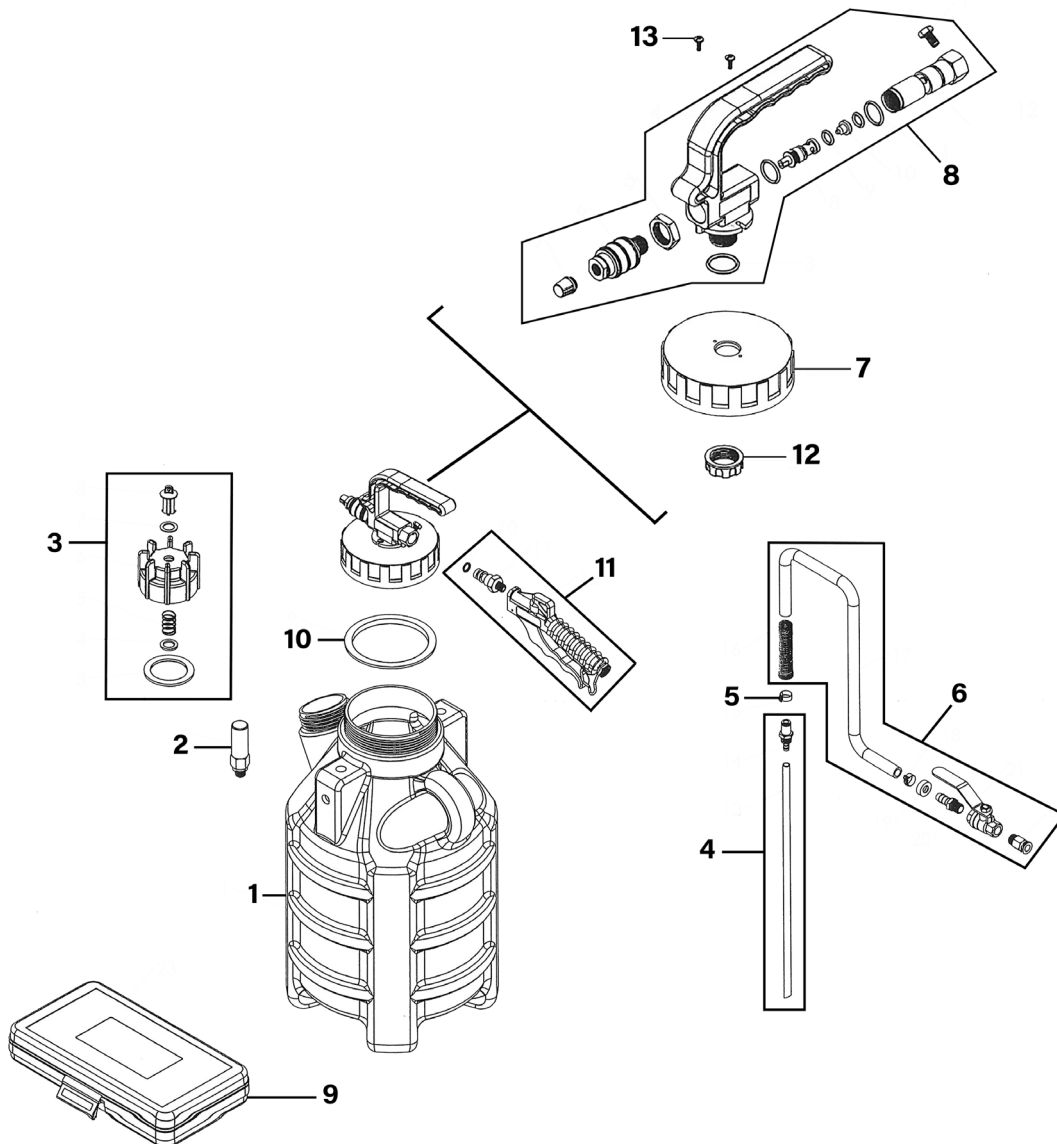




Parts Information:  
**Transmission Oil Filling System Pneumatic 10L**  
**Model No: VS7019**



Item	Part No.	Description
1	VS7019-01	Fluid Tank 10ltr
2	VS7019-02	Bracket
3	VS7019-03	Safety Valve Assembly
4	VS7019-04	Fluid Pipe Assembly
5	VS7019-05	Hose Clip
6	VS7019-06	Suction Tube
7	VS7019-07	Tank Lid
8	VS7019-08	Vacuum Trigger Assembly
9	VS7019-09	Storage Case (c/w Transmission Fluid Adaptors)
10	VS7109.02	Cap Washer Rubber, Large
11	VS830-08	Trigger Assembly
12	VS830-10	Lock Nut

Item	Part No.	Description
13	MSP48.S	Machine Screw Pan Head Phillips M4 X 8mm
--	VS7009.A01	Fluid Adaptor 'Ford' (Not Shown)
--	VS7009.A02	Fluid Adaptor 'Universal' (Not Shown)
--	VS7009.A03	Fluid Adaptor 'VW Audi' (Not Shown)
--	VS7009.A04	Fluid Adaptor 'VW Audi' (Not Shown)
--	VS7009.A05	Fluid Adaptor 'VW Audi' (Not Shown)
--	VS70090.01	Oil Filler Adaptor 12x1.5 (Mercedes AT106) (Not Shown)
--	VS70090.02	Oil Filler Adaptor 22x1.5 (CVT AT108) (Not Shown)
--	VS70090.03	Oil Filler Adaptor 24x1.5 (DSG AT107) (Not Shown)

**NOTE:** It is our policy to continually improve products and as such we reserve the right to alter data, specifications and component parts without prior notice. There may be alternative versions of this product, please contact us should you require this information.

**IMPORTANT:** No liability is accepted for incorrect use of product. Spare parts must be fitted by a competent person

**WARRANTY:** Guarantee is 12 months from purchase date, proof of which will be required for any claim.

Sealey Group, Kempson Way, Suffolk Business Park, Bury St Edmunds, Suffolk. IP32 7AR



01284 757500



sales@sealey.co.uk



www.sealey.co.uk