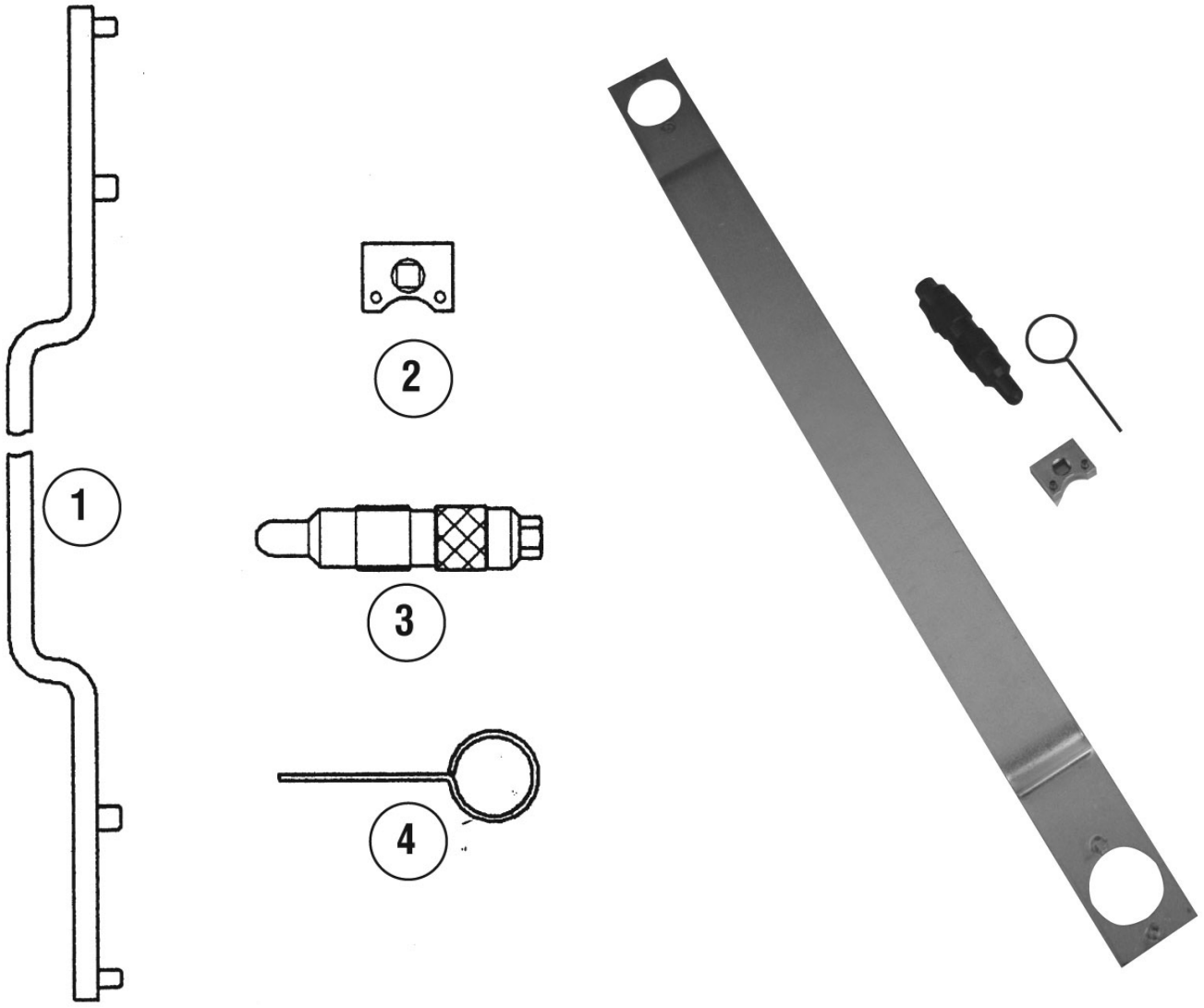




Parts Information:  
**Petrol Engine Setting/Locking Kit - VAG -  
3.7/4.2 V8 - Belt Drive  
Model No: VS4827**



Item	Part No.	Description
1	VS4828	CAMSHAFT SETTING PLATE
2	VS4829	TENSIONER ADJUSTER

Item	Part No.	Description
3	VS1242/01	CRANK TDC PIN
4	VS4593/1E	HYD. TENSIONER RETAINING PIN

**NOTE:** It is our policy to continually improve products and as such we reserve the right to alter data, specifications and component parts without prior notice.

**IMPORTANT:** No liability is accepted for incorrect use of product.

**WARRANTY:** Guarantee is 12 months from purchase date, proof of which will be required for any claim.

**Sealey Group**, Kempson Way, Suffolk Business Park, Bury St Edmunds, Suffolk. IP32 7AR



01284 757500



01284 703534



sales@sealey.co.uk



www.sealey.co.uk