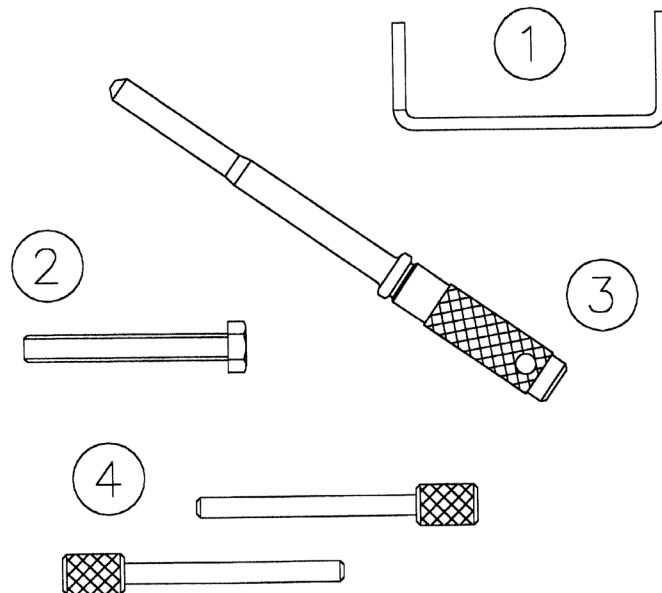




Parts Information:
**Petrol Engine Setting/Locking Kit - Honda
1.6, 1.8, 2.0, 2.2, 2.3, 3.0 SOHC/Twin Cam -
Belt Drive
Model No: VS4656**



Item	Part No.	Description
1	VS4571	Tensioner Retaining Clamp
2	SS645.S	Hex Head Set Screw m6x45mm Single
3	VS3032.10	Balancer Shaft Locking Pin

Item	Part No.	Description
4	VS3032.02	Camshaft Locking Pins (Pair)
--	VS4656.84	Case + Insert (NOT SHOWN)
--	VS-TAG	Warning Tag (NOT SHOWN)

NOTE: It is our policy to continually improve products and as such we reserve the right to alter data, specifications and component parts without prior notice.

IMPORTANT: No liability is accepted for incorrect use of product.

WARRANTY: Guarantee is 12 months from purchase date, proof of which will be required for any claim.

Sealey Group, Kempson Way, Suffolk Business Park, Bury St Edmunds, Suffolk. IP32 7AR



01284 757500



01284 703534



sales@sealey.co.uk



www.sealey.co.uk