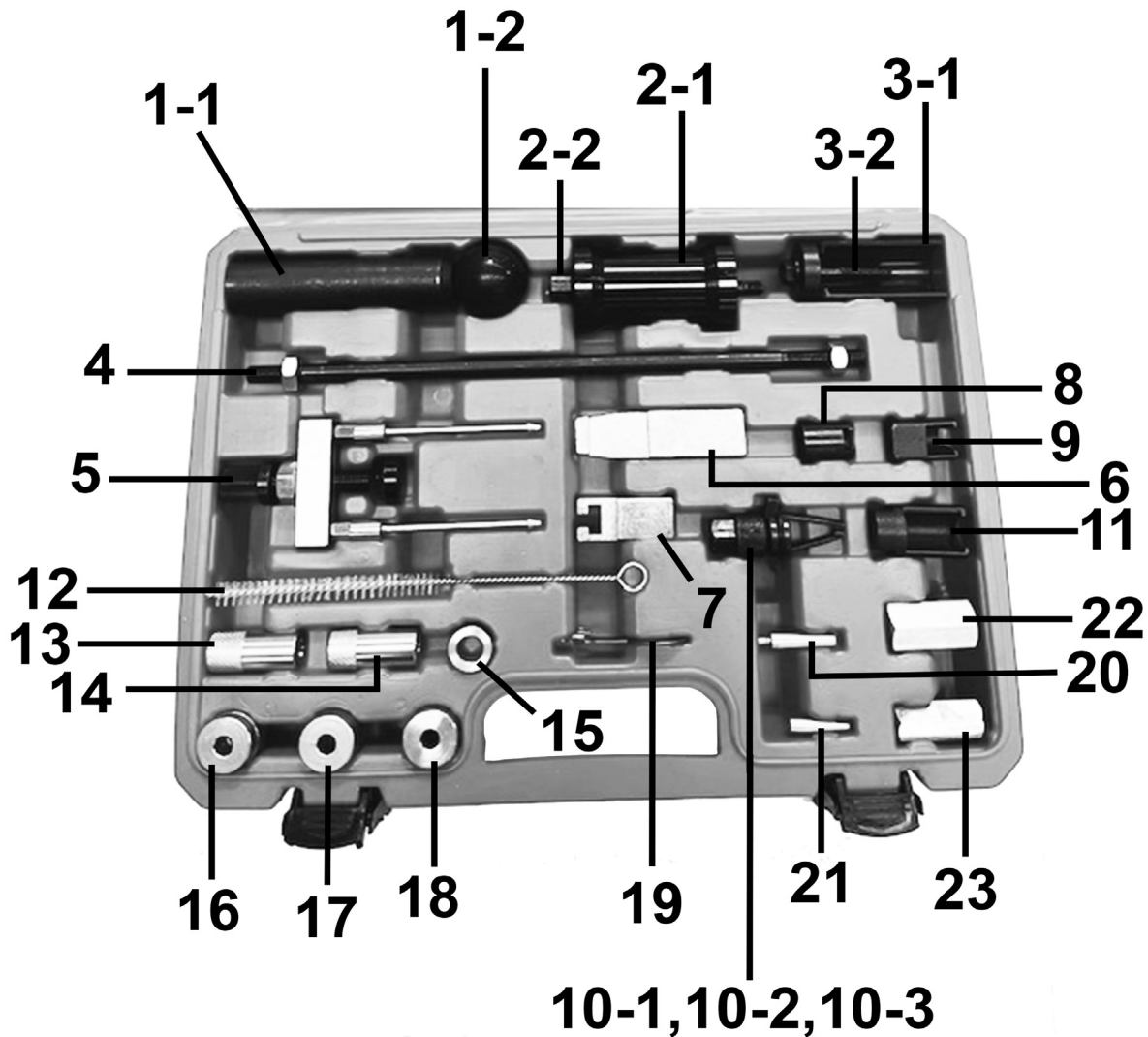




Parts Information:
VAG - 24pc Fuel Injector Puller And Service Kit
Model No: VS2083



Item	Part No.	Description
1-1	VS2083-1-1	Injector Installer
1-2	VS2083-1-2	Spherical Knob for Injector Installer
2-1	VS2083-2-1	Slide Hammer
2-2	VS2083-2-2	Slide Hammer Rod
3-1	VS2083-3-1	Injector Remover Bridge
3-2	VS2083-3-2	Injector Remover Bridge Rod
4	VS2083-04	Long Threaded Shaft for Slide Hammer
5	VS2083-05	Direct Overgrip
6	VS2083-06	Leg
7	VS2083-07	Hook Adaptor
8	VS2083-08	Injector Remover
9	VS2083-09	Injector Remover
10-1	VS2083-10-1	Injector Remover (2 Leg)
10-2	VS2083-10-2	Spacer for Injector Remover

Item	Part No.	Description
10-3	VS2083-10-3	Injector Remover Leg
11	VS2083-11	Injector Remover
12	VS2083-12	Cleaning Brush
13	VS2083-13	Support Ring Calibration Sleeve
14	VS2083-14	Support Ring Calibration Sleeve
15	VS2083-15	Teflon Ring Spacer Sleeve
16	VS2083-16	Teflon Ring Assembly Sleeve
17	VS2083-17	Teflon Ring Calibration Sleeve
18	VS2083-18	Teflon Ring Calibration Sleeve
19	VS2083-19	Support Ring Locking Plate
20	VS2083-20	Support Ring Assembly Cone
21	VS2083-21	Teflon Ring Assembly Cone
22	VS2083-22	Support Ring Calibration Sleeve (A)
23	VS2083-23	Support Ring Calibration Sleeve (B)

NOTE: It is our policy to continually improve products and as such we reserve the right to alter data, specifications and component parts without prior notice. There may be alternative versions of this product, please contact us should you require this information.

IMPORTANT: No liability is accepted for incorrect use of product. Spare parts must be fitted by a competent person

WARRANTY: Guarantee is 12 months from purchase date, proof of which will be required for any claim.

Sealey Group, Kempson Way, Suffolk Business Park, Bury St Edmunds, Suffolk. IP32 7AR



01284 757500



sales@sealey.co.uk



www.sealey.co.uk