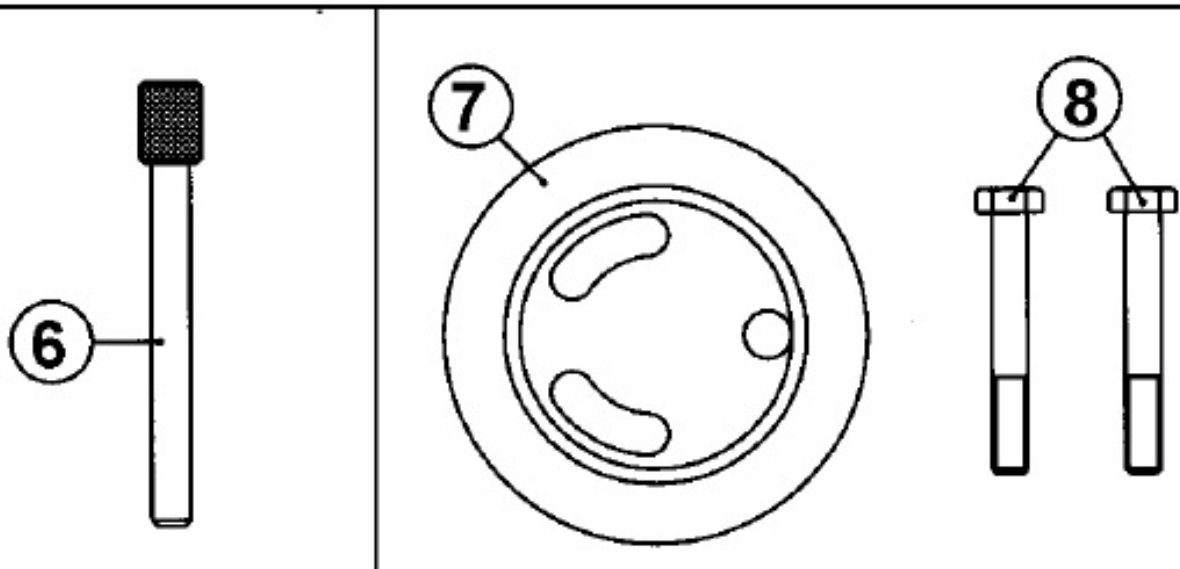
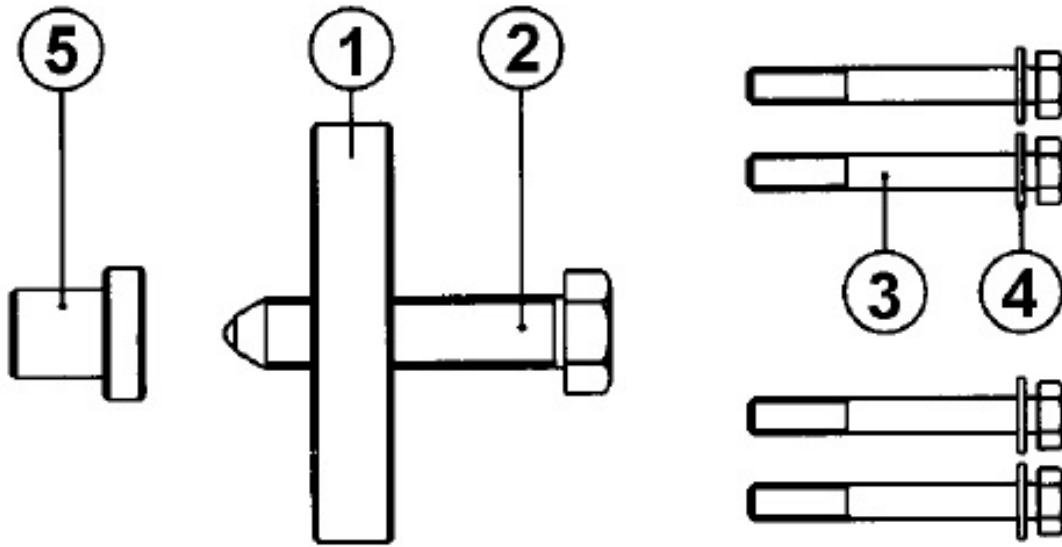


Parts Information:
Diesel Engine Camshaft Locking & Fuel Injection Pump Timing Kit - Land Rover 2.5, 200TDi, 300TDi - Belt Drive
Model No: VS129



Item	Part No.	Description
1	VS129/01	PULLER PLATE
2	VS129/02	THRUST BOLT
3	VS129/03	HEX SCREW SET (4)
4	FWM8.S	FLAT WASHER M8 SINGLE
5	VS129/05	PRESSURE BUTTON
6	VS129/06	PUMP TIMING PIN

Item	Part No.	Description
7	VS129/07	RETAINER
8	VS129/08	HEX SCREW SET
9	VS129/09	TIMING PIN - FLYWHEEL (SMALL)
10	VS129/10	TIMING PIN - DPS PUMP
11	VS129/11	TIMING PIN - FLYWHEEL
--	VS129/84	CASE & INSERT (NOT SHOWN)
--	VS-TAG	WARNING TAG (NOT SHOWN)

NOTE: It is our policy to continually improve products and as such we reserve the right to alter data, specifications and component parts without prior notice.

IMPORTANT: No liability is accepted for incorrect use of product.

WARRANTY: Guarantee is 12 months from purchase date, proof of which will be required for any claim.