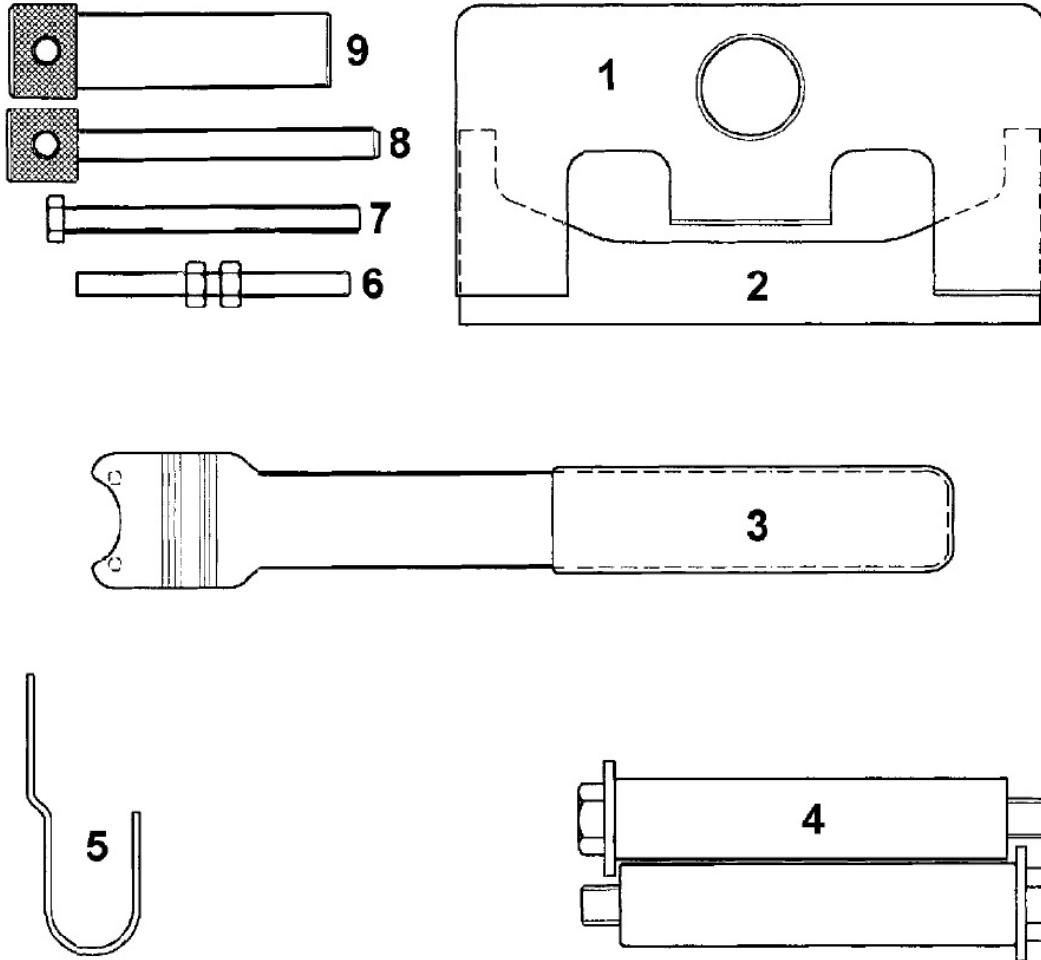




Parts Information:  
**Diesel/Petrol Engine Setting/Locking Kit -  
 Mitsubishi, Renault, Vauxhall/Opel, Volvo  
 - Belt Drive  
 Model No: VS124**



Item	Part No.	Description
1	VS124/01	CAMSHAFT SETTING PLATE
2	VS101/1	CAMSHAFT LOCKING TOOL
3	VS124/03	TENSIONER ADJUSTER
4	VS124/02	FRONT PANEL SUPPORT GUIDES (PAIR)
5	VS125/T1	RETAINING PIN

Item	Part No.	Description
6	VS124/T1	TENSIONER LOCKING PIN
7	VS124/V1	VISCOUS FAN RETAINING BOLT
8	VS124/V2	INJECTION PUMP LOCKING PIN
9	VS101/5	PIN, LOCKING 15.4mm
--	VS-TAG	WARNING TAG (NOT SHOWN)

**NOTE:** It is our policy to continually improve products and as such we reserve the right to alter data, specifications and component parts without prior notice.

**IMPORTANT:** No liability is accepted for incorrect use of product.

**WARRANTY:** Guarantee is 12 months from purchase date, proof of which will be required for any claim.

**Sealey Group**, Kempson Way, Suffolk Business Park, Bury St Edmunds, Suffolk. IP32 7AR



01284 757500



01284 703534



sales@sealey.co.uk



www.sealey.co.uk