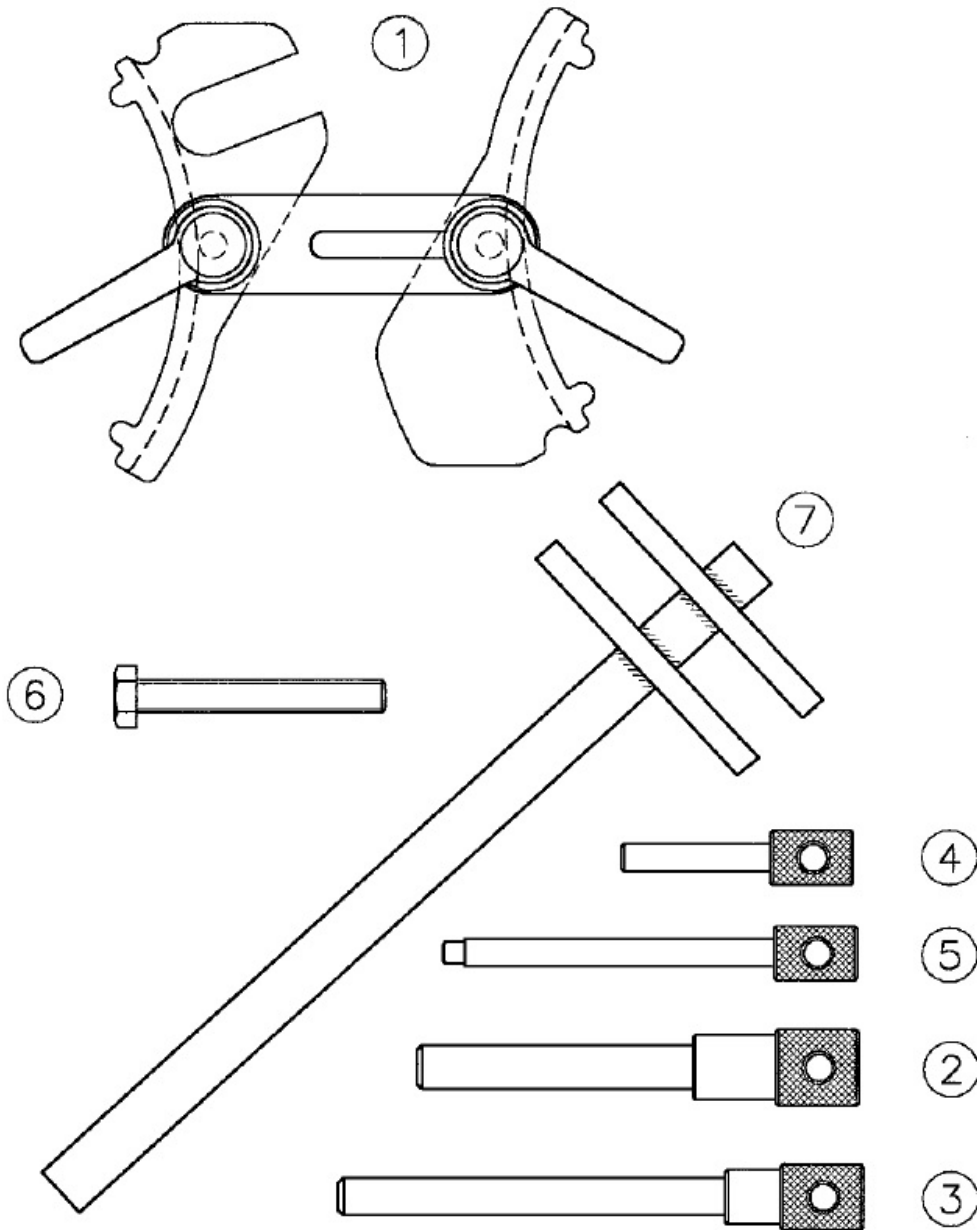


Parts Information:
Diesel/Petrol Engine Setting/Locking Kit -
Mitsubishi, Renault, Vauxhall/Opel, Volvo
- Belt Drive
Model No: VS122



Item	Part No.	Description
1	VS1250	SPROCKET MULTILOCK
2	VS125/R1	CRANK LOCKING PIN
3	VS125/R2	CRANK LOCKING PIN
4	VS125/R3	INJ.PUMP LOCKING PIN
5	VS125/R4	CRANK LOCKING PIN

Item	Part No.	Description
6	VS125/T3	ADJUSTING NUT M6 x 1.5 X 50mm
7	VS1251	TENSIONER ADJUSTER
--	VS122/84	CASE & INSERT (NOT SHOWN)
--	VS-TAG	WARNING TAG (NOT SHOWN)

NOTE: It is our policy to continually improve products and as such we reserve the right to alter data, specifications and component parts without prior notice.

IMPORTANT: No liability is accepted for incorrect use of product.

WARRANTY: Guarantee is 12 months from purchase date, proof of which will be required for any claim.