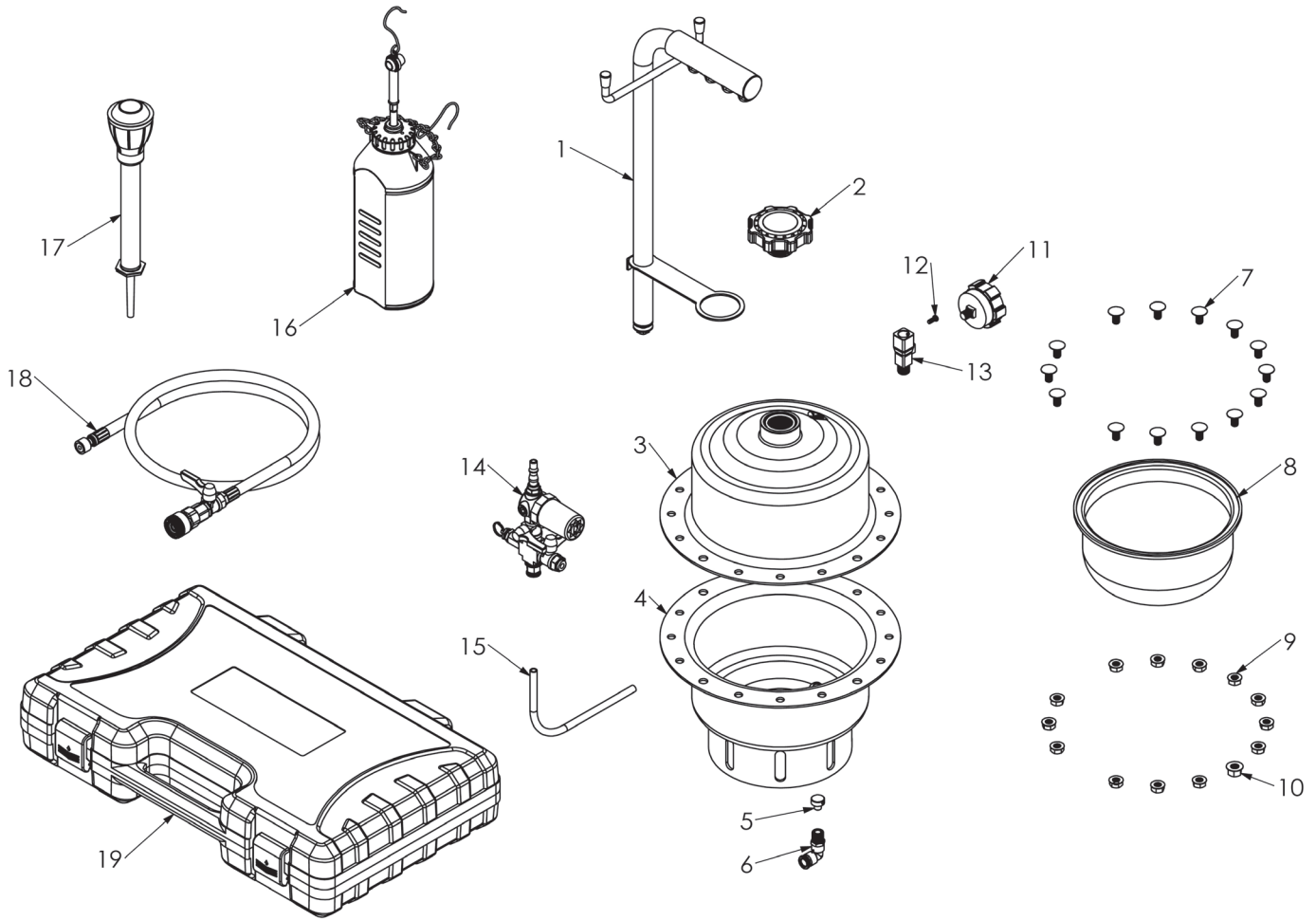




Parts Information:  
**Pneumatic Brake & Clutch Pressure  
 Bleeder Kit**  
**Model No: VS0204.V5**



| Item | Part No.     | Description                            |
|------|--------------|--|
| 1    | VS0204.V4-01 | HANDLE BAR                             |
| 2    | VS0204.V4-02 | TANK CAP                               |
| 3    | VS0204.V4-03 | TANK, UPPER HALF                       |
| 4    | VS0204.V4-04 | TANK, LOWER HALF                       |
| 5    | VS0204.V4-05 | PLUG                                   |
| 6    | VS0204.V4-06 | ELBOW                                  |
| 7    | VS0204.V4-07 | COACH BOLT ZINC 5/16 X 5/8"UNC         |
| 8    | VS0204.V4-08 | RUBBER INSERT                          |
| 9    | FN516.UNC    | FLANGE NUT SERRATED 5/16" UNC (SINGLE) |
| 10   | FN38.UNC     | FLANGE NUT SERRATED 3/8" UNC (SINGLE)  |

| Item | Part No.     | Description              |
|------|--------------|--------------------------|
| 11   | VS820.V4-03  | PRESSURE GAUGE           |
| 12   | VS0204.V4-12 | SCREW 4x6                |
| 13   | VS0204.V4-13 | CONNECTOR                |
| 14   | VS0204.V4-14 | PRESSURE REGULATOR ASS'Y |
| 15   | VS0204.V4-15 | TUBE                     |
| 16   | VS0204.V4-16 | FLUID BOTTLE             |
| 17   | VS0204.V4-17 | SYRINGE                  |
| 18   | VS0204.V4-18 | OIL DELIVERY TUBE        |
| 19   | VS0204.V4-19 | BLOW MOULD CASE          |

**NOTE:** It is our policy to continually improve products and as such we reserve the right to alter data, specifications and component parts without prior notice.

**IMPORTANT:** No liability is accepted for incorrect use of product.

**WARRANTY:** Guarantee is 12 months from purchase date, proof of which will be required for any claim.

**Sealey Group**, Kempson Way, Suffolk Business Park, Bury St Edmunds, Suffolk. IP32 7AR



01284 757500



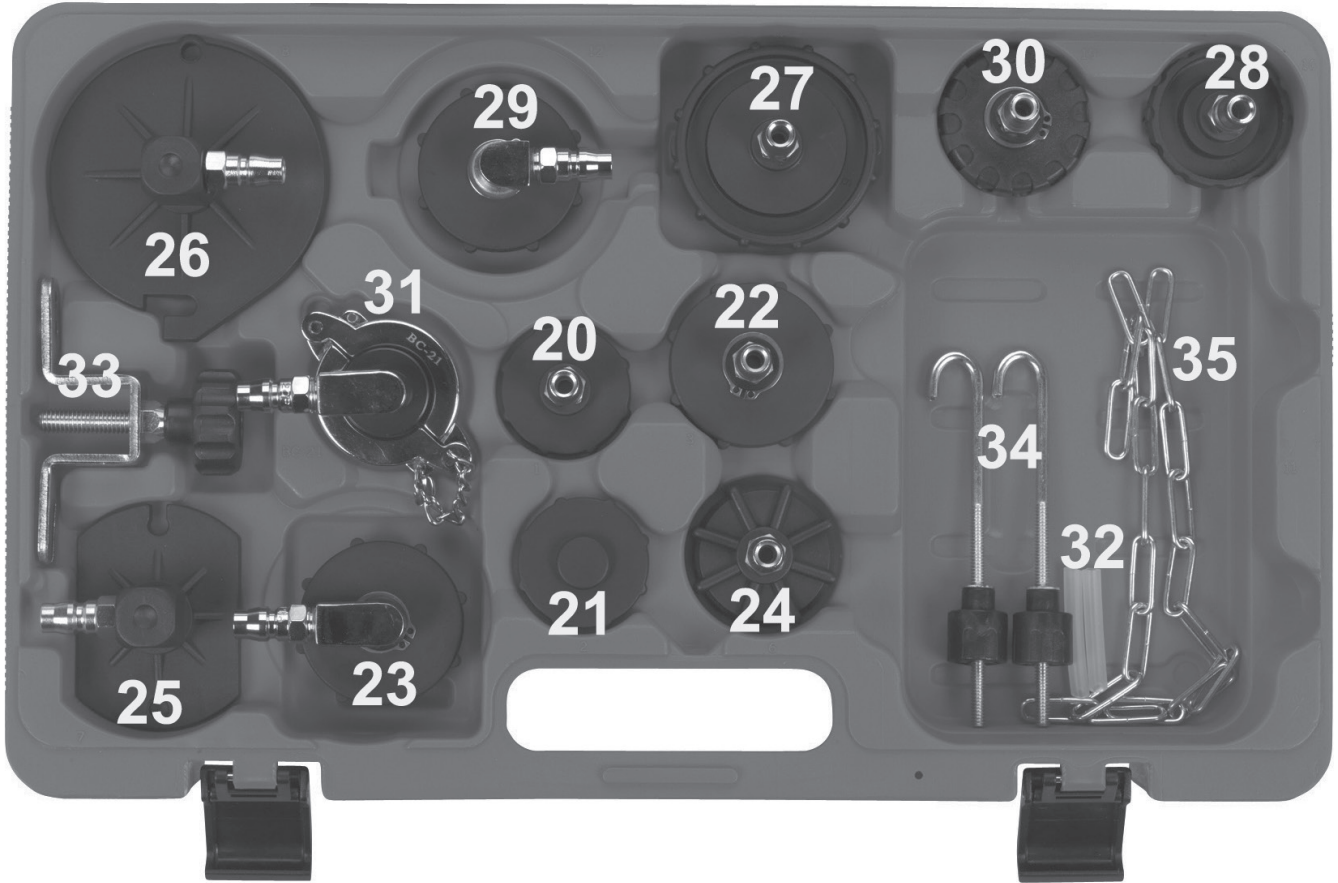
01284 703534



sales@sealey.co.uk



www.sealey.co.uk



| Item | Part No.     | Description                                 |
|------|--------------|---|
| 20   | VS0204.V4-20 | ADAPTOR CAP '1'                             |
| 21   | VS0204.V4-21 | ADAPTOR CAP '2'                             |
| 22   | VS0204.V4-22 | ADAPTOR CAP '3'                             |
| 23   | VS0204.V4-23 | ADAPTOR CAP '3' (90deg ELBOW)               |
| 24   | VS820SA      | BRAKE RESERVOIR CAP 42mm STRAIGHT CONNECTOR |
| --   | VS820SA.01   | METAL NUT & TUBING ( <b>not shown</b> )     |
| --   | VS820SA.02   | SEAL ( <b>not shown</b> )                   |
| 25   | VS0204.V4-25 | ADAPTOR CAP '7' (90deg ELBOW)               |
| 26   | VS0204.V4-26 | ADAPTOR CAP '8'                             |
| 27   | VS0204.V4-27 | ADAPTOR CAP '9'                             |

| Item | Part No.     | Description                          |
|------|--------------|--------------------------------------|
| 28   | VS0204.V4-28 | ADAPTOR CAP '10'                     |
| 29   | VS0204.V5-36 | ADAPTOR CAP 'BC-41' (90deg)          |
| 30   | VS0204.V4-30 | ADAPTOR CAP '19'                     |
| 31   | VS0204.V4-31 | ADAPTOR CAP 'BC-21' (90deg ELBOW)    |
| 32   | VS0204.V4-32 | ADAPTORS (c/w TUBES)                 |
| 33   | VS0204.V4-33 | CLAMP ASS'Y                          |
| 34   | VS0204.V4-34 | HOOK BOLT 140mm (85mm THREAD)        |
| 35   | VS0204.V4-35 | CHAIN                                |
| --   | VS0204.V4-19 | BLOW MOULD CASE ( <b>not shown</b> ) |

**NOTE:** It is our policy to continually improve products and as such we reserve the right to alter data, specifications and component parts without prior notice.

**IMPORTANT:** No liability is accepted for incorrect use of product.

**WARRANTY:** Guarantee is 12 months from purchase date, proof of which will be required for any claim.