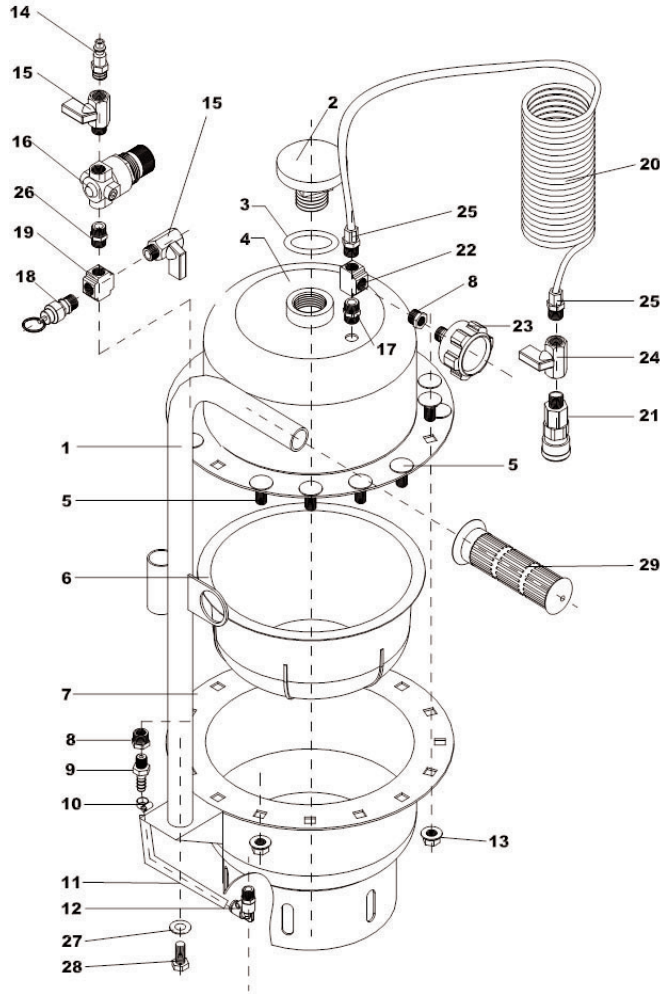


Parts Information: Pneumatic Pressure Bleeder Kit Model No: VS0204.V3



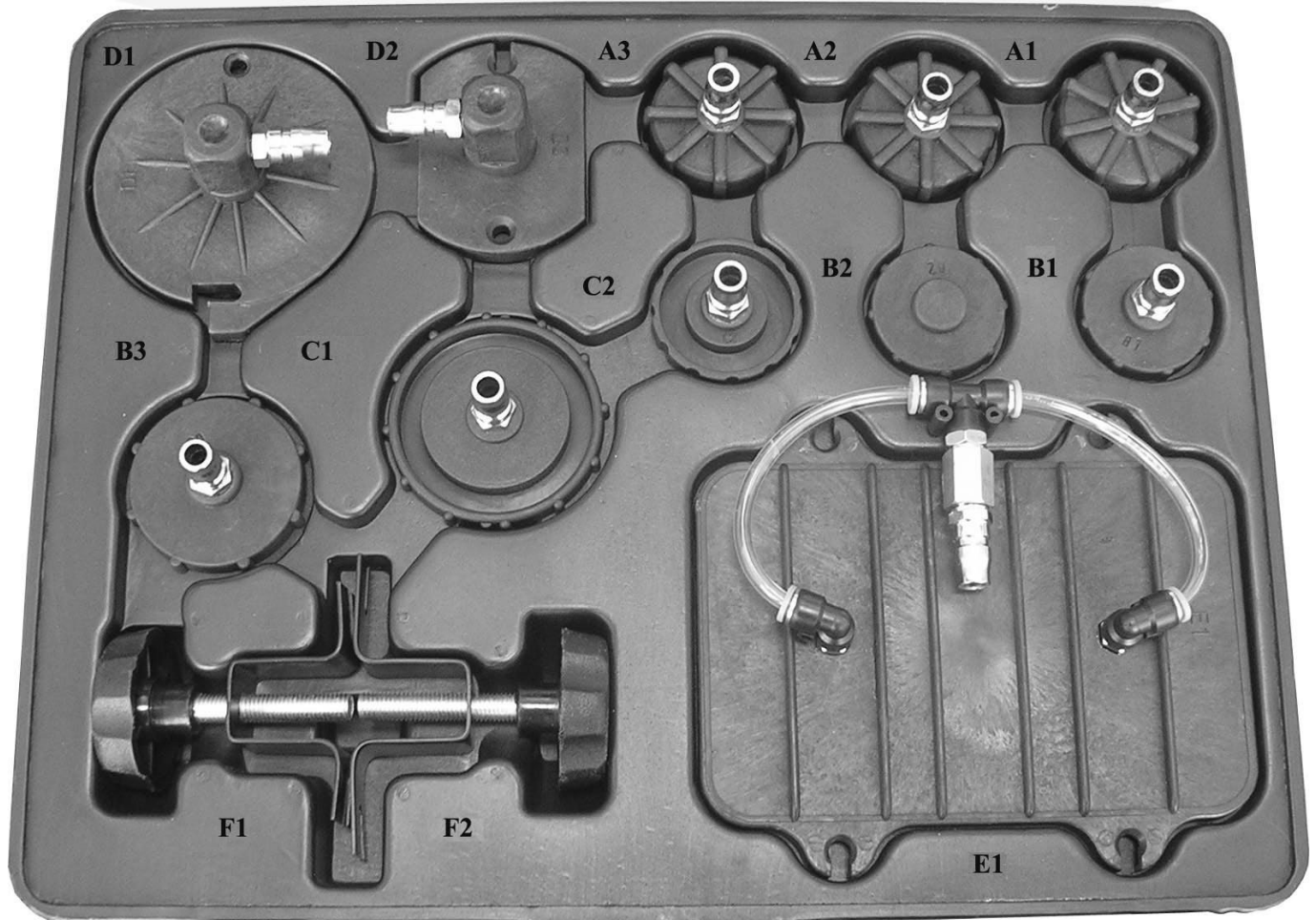
Item	Part No.	Description
1	VS0204.V3-01	HANDLE BAR
2	VS0204.V3-02	TANK CAP
3	VS0204.V3-03	O-RING SEAL
4	VS0204.V3-04	TANK, UPPER HALF
5	CBN1020.S	COACH BOLT M10x20mm (SINGLE)
6	VS0204.V3-06	RUBBER INSERT
7	VS0204.V3-07	TANK, LOWER HALF
8	VS0204.V3-08	CONNECTOR 1/8"x1/4"
9	VS0204.V3-09	CONNECTOR 1/8"
10	VS0204.V3-10	TUBE LOCK
11	VS0204.V3-11	TUBE
12	VS0204.V3-12	ELBOW CONNECTOR
13	VS0204.V3-13	NUT
14	VS0204.V3-14	AIR INLET CONNECTOR
15	VS0204.V3-15	BALL VALVE 1/4"
16	VS0204.V3-16	PRESSURE REGULATOR
17	VS0204.V3-17	CONNECTOR 1/4" M - 1/4" M

Item	Part No.	Description
18	VS0204.V3-18	SAFETY VALVE, AIR RELEASE
19	VS0204.V3-19	4-WAY CONNECTOR
20	VS0204.V3-20	OIL DELIVERY TUBE (3m)
21	VS0204.V3-21	QUICK COUPLING
22	VS0204.V3-22	3-WAY CONNECTOR
23	VS0204.V3-23	GAUGE 140psi, 40mm OD, REAR FITTING
24	VS0204.V3-15	BALL VALVE 1/4"
25	VS0204.V3-25	HOSE CONNECTOR
26	VS0204.V3-26	CONNECTOR 1/4" M - 1/8" M
27	VS0204.V3-27	WASHER
28	VS0204.V3-28	HEX BOLT M8
29	VS0204.V3-29	HANDLE SET
--	VS0204.V3-30	RUBBER SQUEEZE (NOT SHOWN)
--	VS0204.V3-31	FLUID BOTTLE COMPLETE (NOT SHOWN)
--	VS0204.V3-32	FUNNEL (NOT SHOWN)
--	VS0204.V3-33	BLOW MOULD CASE (NOT SHOWN)

NOTE: It is our policy to continually improve products and as such we reserve the right to alter data, specifications and component parts without prior notice.

IMPORTANT: No liability is accepted for incorrect use of product.

WARRANTY: Guarantee is 12 months from purchase date, proof of which will be required for any claim.



Item	Part No.	Description
A1	VS0204.V3-A1	ADAPTOR CAP (A1)
A2	VS0204.V3-A2	ADAPTOR CAP (A2)
A3	VS0204.V3-A3	ADAPTOR CAP (A3)
B1	VS0204.V3-B1	ADAPTOR CAP (B1)
B2	VS0204.V3-B2	ADAPTOR CAP (B2)
B3	VS0204.V3-B3	ADAPTOR CAP (B3)
C1	VS0204.V3-C1	ADAPTOR CAP (C1)

Item	Part No.	Description
C2	VS0204.V3-C2	ADAPTOR CAP (C2)
D1	VS0204.V3-D1	ADAPTOR CAP (D1)
D2	VS0204.V3-D2	ADAPTOR CAP (D2)
E1	VS0204.V3-E1	ADAPTOR CAP (E1)
F1	VS0204.V3-F1	CLAMP ASS'Y (F1)
F2	VS0204.V3-F2	CLAMP ASS'Y (F2)

NOTE: It is our policy to continually improve products and as such we reserve the right to alter data, specifications and component parts without prior notice.

IMPORTANT: No liability is accepted for incorrect use of product.

WARRANTY: Guarantee is 12 months from purchase date, proof of which will be required for any claim.