

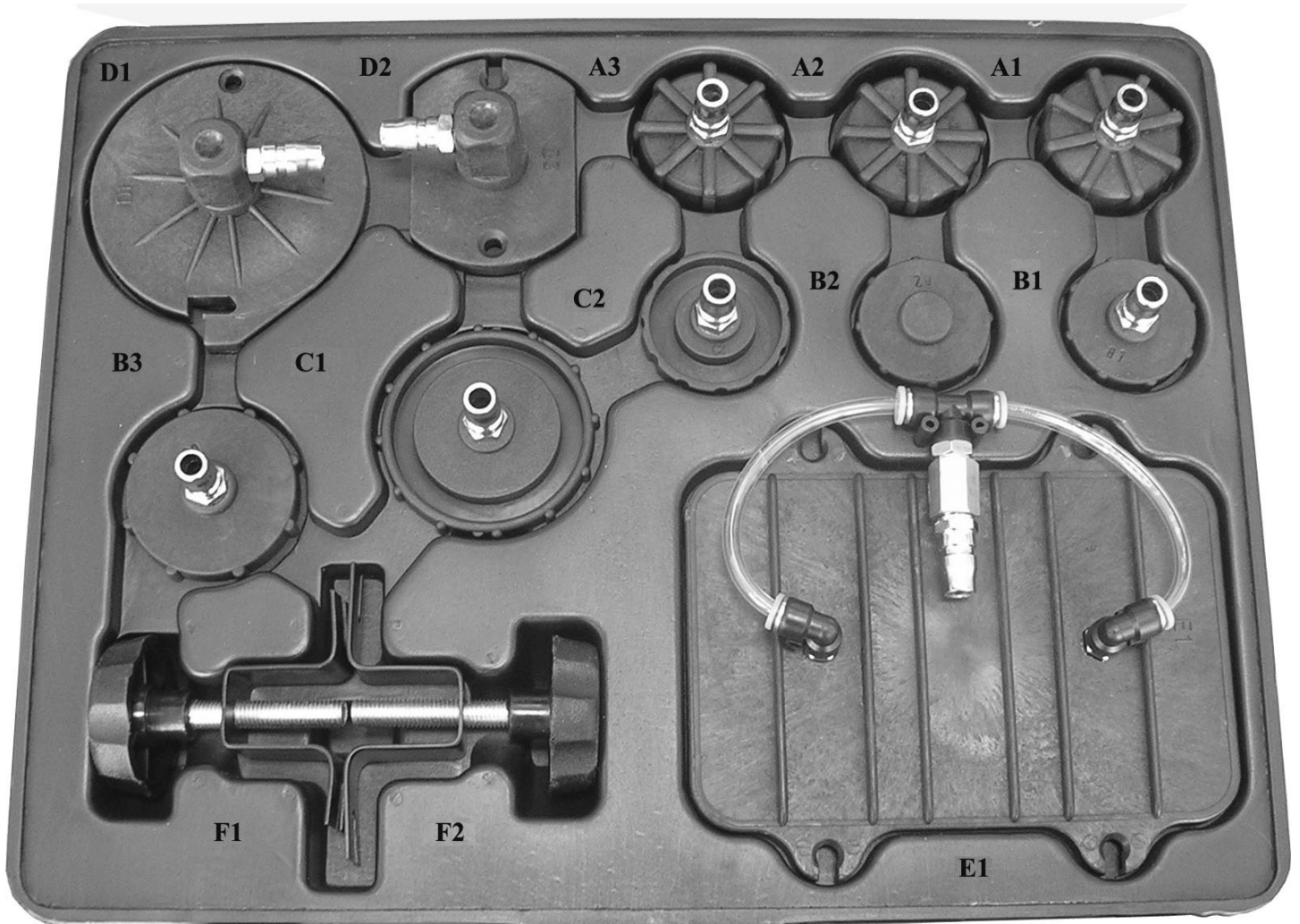
Item	Part No.	Description
1	VS0204.01	HANDLE BAR
2	VS0204.02	TANK CAP
3	VS0204.03	O-RING SEAL
4	VS0204.V2-04	TANK (UPPER HALF)
5	CBN1020.S	COACH BOLT M10x20mm (SINGLE)
6	VS0204.06	RUBBER INSERT
7	VS0204.07	TANK (LOWER HALF)
8	VS0204.08	CONNECTOR 1/8" F X 1/4" M
9	VS0204.09	CONNECTOR 1/8"
10	VS0204.10	TUBE LOCK
11	VS0204.11	TUBE
12	VS0204.12	ELBOW CONNECTOR
13	FN10.S	FLANGE NUT SERRATED M10 ZINC (SINGLE)
14	VS0204.14	AIR INLET CONNECTOR

Item	Part No.	Description
15	VS0204.15	BALL VALVE 1/4" F/F
16	VS0204.16	PRESSURE REGULATOR
17	VS0204.17	CONNECTOR 1/4"
18	VS0204.18	AIR RELEASE SAFETY VALVE
19	VS0204.19	4-WAY CONNECTOR
20	VS0204.20	OIL DELIVERY TUBE
21	VS0204.21	QUICK COUPLING
22	VS0204.22	3-WAY CONNECTOR
23	VS0204.V3-23	GAUGE 140psi, 40mm OD, REAR FITTING
--	VS0204.24	RUBBER SQUEEZE (NOT SHOWN)
--	VS0204.25	FLUID BOTTLE COMPLETE (NOT SHOWN)
--	VS0204.26	BLOW MOULD CASE (NOT SHOWN)
--	VS0204.27	FUNNEL (NOT SHOWN)

NOTE: It is our policy to continually improve products and as such we reserve the right to alter data, specifications and component parts without prior notice.

IMPORTANT: No liability is accepted for incorrect use of product.

WARRANTY: Guarantee is 12 months from purchase date, proof of which will be required for any claim.



Item	Part No.	Description
A1	VS0204.A1	APAPTOR CAP (A1)
A2	VS0204.A2	APAPTOR CAP (A2)
A3	VS0204.A3	ADAPTOR CAP (A3)
B1	VS0204.B1	ADAPTOR CAP (B1)
B2	VS0204.V3-B2	ADAPTOR CAP (B2)
B3	VS0204.B3	ADAPTOR CAP (B3)
C1	VS0204.C1	ADAPTOR CAP (C1)

Item	Part No.	Description
C2	VS0204.C2	ADAPTOR CAP (C2)
D1	VS0204.D1	ADAPTOR CAP (D1)
D2	VS0204.D2	ADAPTOR CAP (D2)
E1	VS0204.E1	ADAPTOR CAP (E1)
F1	VS0204.F1	CLAMP ASS'Y (F1)
F2	VS0204.F2	CLAMP ASS'Y (F2)
--	VS0204.D1-R	PNEUMATIC COUPLING (NOT SHOWN)

NOTE: It is our policy to continually improve products and as such we reserve the right to alter data, specifications and component parts without prior notice.

IMPORTANT: No liability is accepted for incorrect use of product.

WARRANTY: Guarantee is 12 months from purchase date, proof of which will be required for any claim.