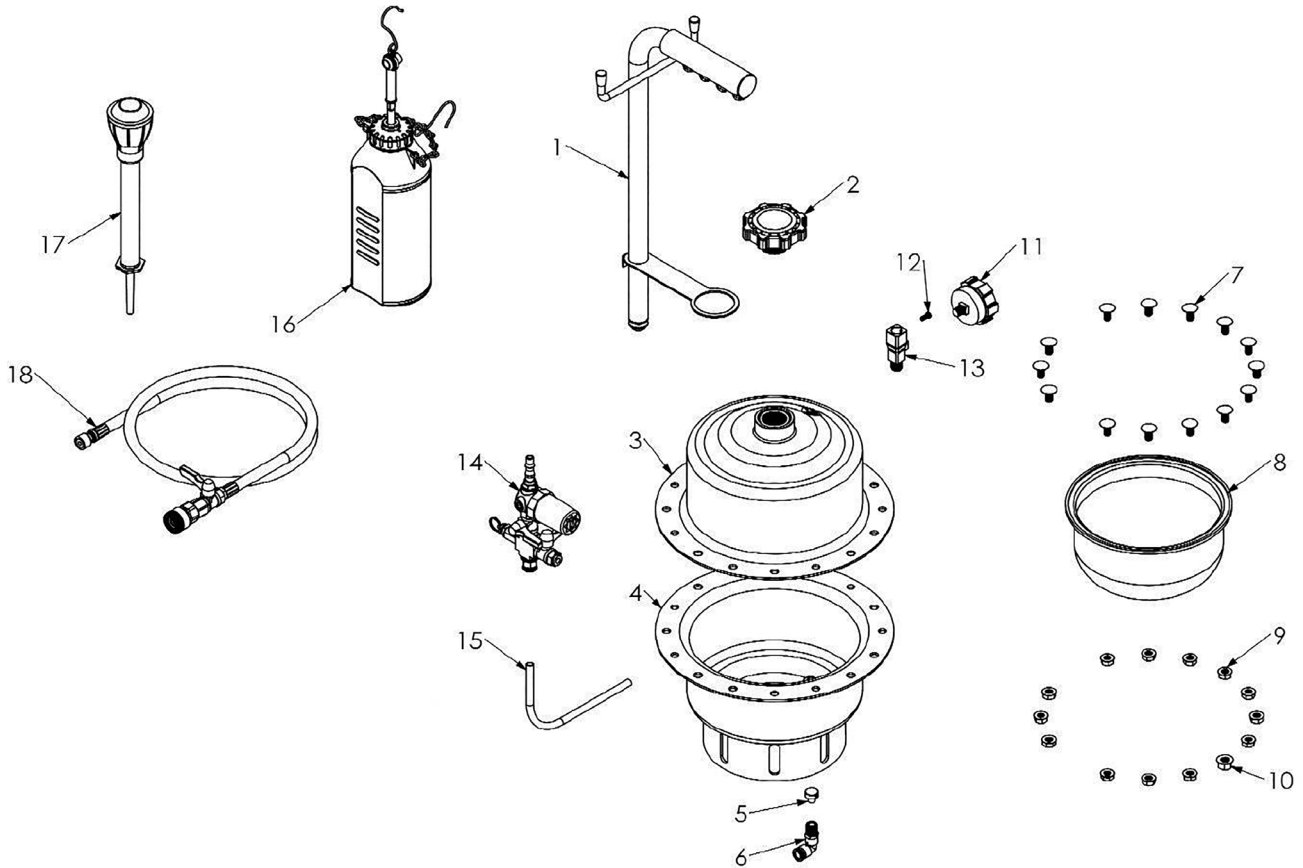




Parts Information:
**Pneumatic Brake & Clutch Pressure
 Bleeder Kit**
Model No: VS0204A



Item	Part No.	Description
1	VS0204.V4-01	Handle Bar
2	VS0204.V4-02	Tank Cap
3	VS0204.V4-03	Tank, Upper
4	VS0204.V4-04	Tank, Lower
5	VS0204.V4-05	Plug
6	VS0204.V4-06	Elbow Adaptor Cap
7	VS0204.V4-07	Coach Bolt 5/16" x 5/8"UNC
8	VS0204.V4-08	Rubber Insert
9	FN516.UNC	Flange Nut Serrated 5/16" UNC
10	FN38.UNC	Flange Nut Serrated 3/8" UNC

Item	Part No.	Description
11	VS820.V4-03	Pressure Gauge
12	MSP46.S	Machine Screw Pan Head Phillips M4 x 6mm
13	VS0204.V4-13	Connector
14	VS0204.V4-14	Pressure Regulator Assembly
15	VS0204.V4-15	Tube
16	VS0204.V4-16	Fluid Bottle
17	VS0204.V4-17	Syringe
--	VS820.V4-07	Elbow Adaptor Cap (Not Shown)

NOTE: It is our policy to continually improve products and as such we reserve the right to alter data, specifications and component parts without prior notice. There may be alternative versions of this product, please contact us should you require this information.

IMPORTANT: No liability is accepted for incorrect use of product. Spare parts must be fitted by a competent person

WARRANTY: Guarantee is 12 months from purchase date, proof of which will be required for any claim.

Sealey Group, Kempson Way, Suffolk Business Park, Bury St Edmunds, Suffolk. IP32 7AR



01284 757500



sales@sealey.co.uk



www.sealey.co.uk