

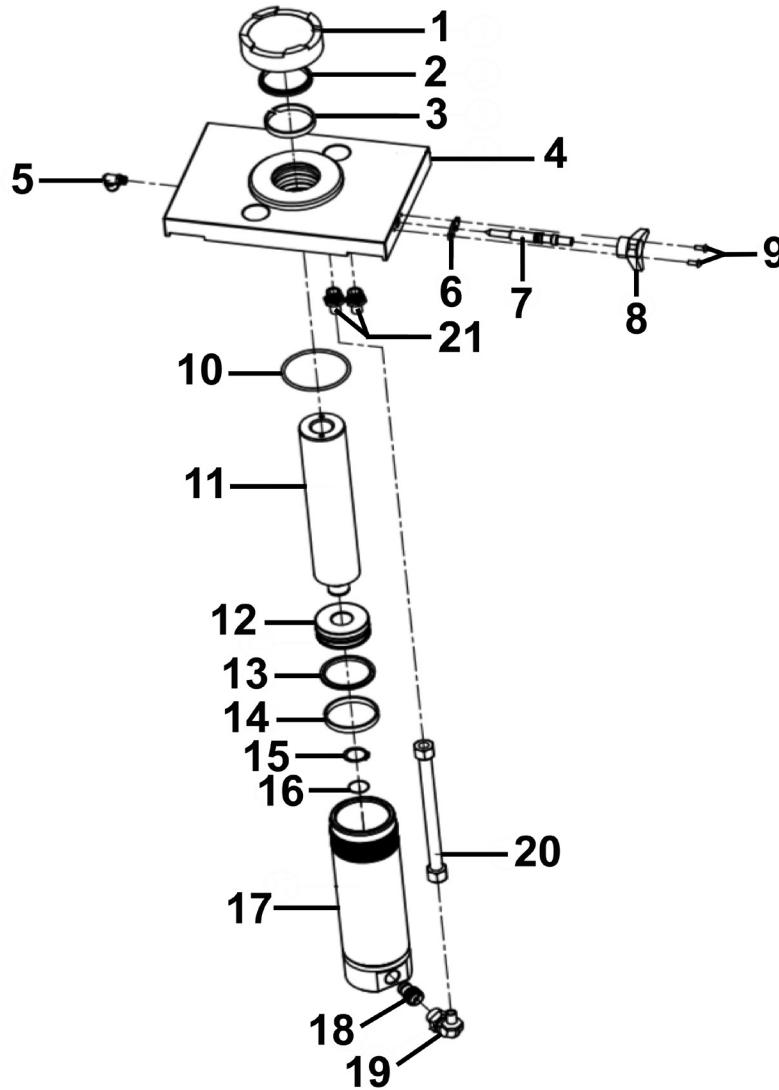
Item	Part No.	Description	Qty
1	FUSN-ZC0004	Oil Cylinder Assembly	1

Item	Part No.	Description	Qty
2	FUSN-ZC2001	Hanging Side Plate Assembly (Short)	2

NOTE: It is our policy to continually improve products and as such we reserve the right to alter data, specifications and component parts without prior notice. There may be alternative versions of this product, please contact us should you require this information.

IMPORTANT: No liability is accepted for incorrect use of product. Spare parts must be fitted by a competent person

WARRANTY: Guarantee is 12 months from purchase date, proof of which will be required for any claim.



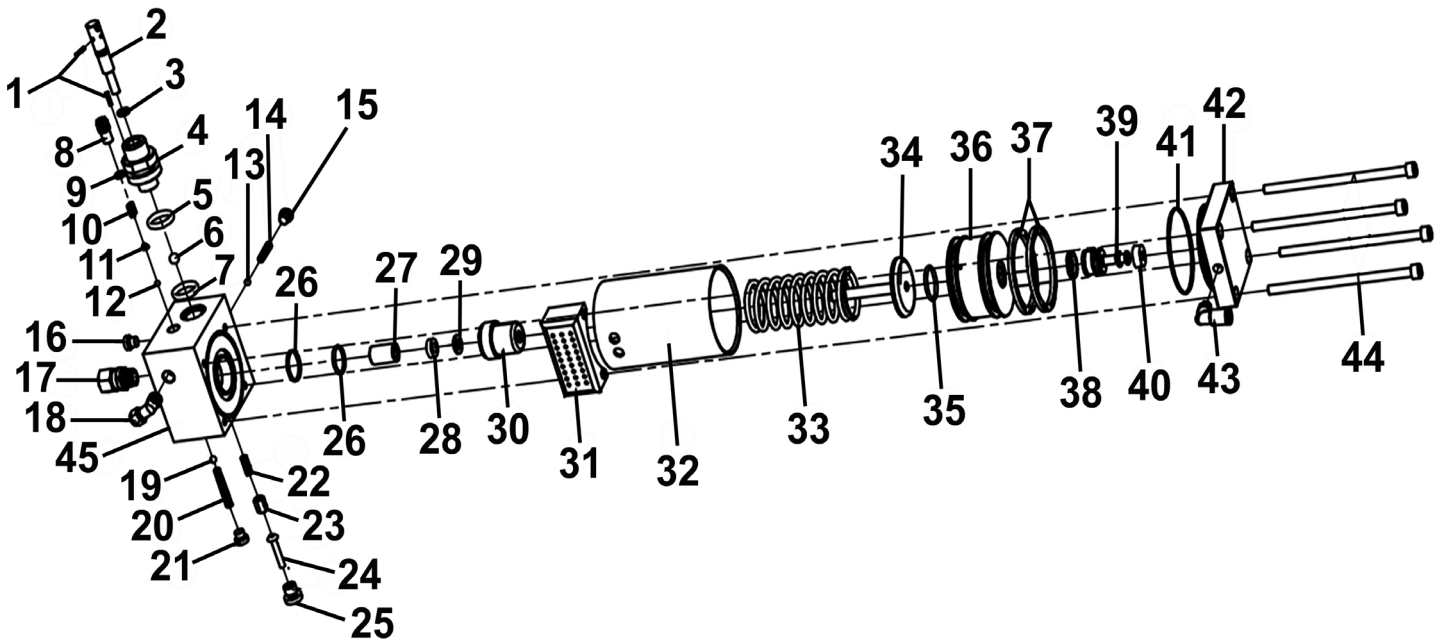
Item	Part No.	Description	Qty
1	FUSN-L0100025	Saddle	1
2	FUSN-L02050026	Dust-Proof Ring	1
3	FUSN-L02040114	Guide Ring	1
4	FUSN-L01A0053	Base Assembly	1
5	FUSN-L04038	Elbow	1
6	FUSN-L07384	Switch Lever Plate	1
7	FUSN-L01A0085	Switch Lever for Oil Cylinder	1
8	FUSN-L03010086	Locking Knob	1
9	FUSN-L03010012	Hex Head Socket Screw	2
10	FUSN-L02010083	O-Ring	1
11	FUSN-L01A0062	Piston	1

Item	Part No.	Description	Qty
12	FUSN-L01A0052	Piston Base	1
13	FUSN-L02060040	Piston Sealing Ring	1
14	FUSN-L02040037	Guide Ring	1
15	FUSN-L05100010	Shaft Clamp Ring	1
16	FUSN-L02010071	O-Ring	1
17	FUSN-L01A0060	Outer Sleeve Assembly	1
18	FUSN-ZC3004	Valve Connection	1
19	FUSN-L09005	Oil Tube Elbow (A)	1
20	FUSN-L20135	Oil Hose (Short)	1
21	FUSN-L09007	Oil Pipe Connector	2

NOTE: It is our policy to continually improve products and as such we reserve the right to alter data, specifications and component parts without prior notice. There may be alternative versions of this product, please contact us should you require this information.

IMPORTANT: No liability is accepted for incorrect use of product. Spare parts must be fitted by a competent person

WARRANTY: Guarantee is 12 months from purchase date, proof of which will be required for any claim.



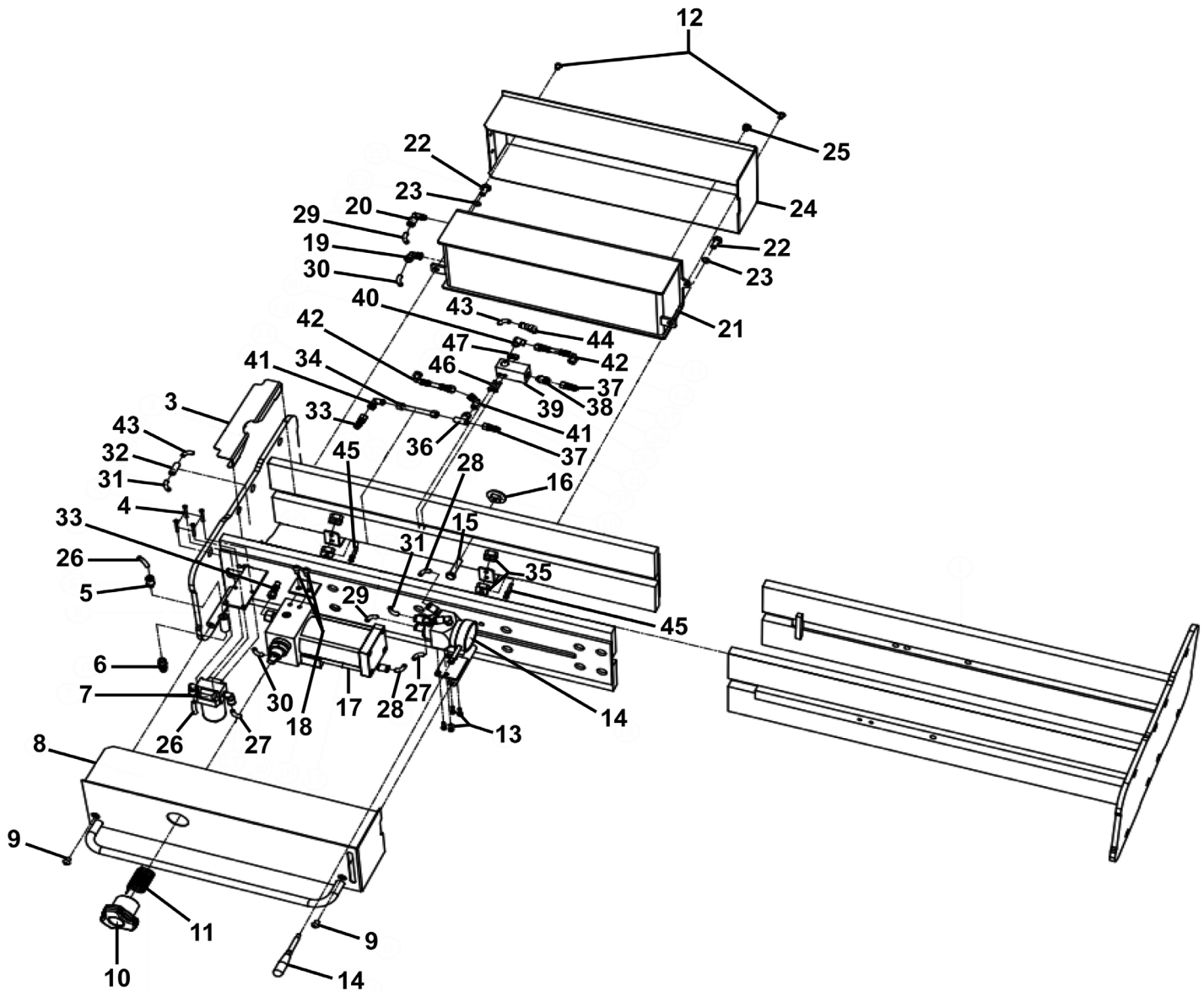
Item	Part No.	Description	Qty
1	FUSN-L03100003	Spring Roll Pin	1
2	FUSN-L01A0021	Pressure Release Lever	1
3	FUSN-L02010078	O-Ring (Ø9.75 x 1.78)	1
4	FUSN-L01A0020	Pressure Release Base	1
5	FUSN-L02010079	O-Ring	1
6	FUSN-L20099	Steel Ball	1
7	FUSN-L02010074	O-Ring	1
8	FUSN-L011Q012	Pressure Regulating Screw	1
9	FUSN-L02010050	O-Ring Ø8.74 x 1.78	1
10	FUSN-L05020051	Pressure Release Spring	1
11	FUSN-L0180012	Steel Ball Holder	1
12	SB-5.0	Steel Ball 5.0mm	1
13	SB-6.4	Steel ball 6.4mm	1
14	FUSN-L05020009	Taper Spring	1
15	FUSN-L03010004	Oil Plug Screw (B)	1
16	FUSN-L03010004	Oil Plug Screw (B)	1
17	FUSN-L09007	Oil Pipe Connector	1
18	FUSN-L04036	Elbow	1
19	SB-6.4	Steel ball 6.4mm	1
20	FUSN-L05020016	Oil Plug Spring	1
21	FUSN-L03010004	Oil Plug Screw (B)	1
22	FUSN-L05020041	Pressure Release Valve Spring	1
23	FUSN-L01A0039	Pressure Release Valve	1

Item	Part No.	Description	Qty
24	FUSN-L03010117	Pressure Release Screw	1
25	FUSN-L01A0025	Pressure Release End Cap	1
26	FUSN-L02010018	O-Ring Ø23.47 x 2.62	2
27	FUSN-L011J015	Guide Sleeve	1
28	FUSN-L02030011	Seal B3	1
29	FUSN-L02020023	Check Ring	1
30	FUSN-L011J016	Oil Pump Body	1
31	FUSN-L06070	Exhaust Hood Cover	1
32	FUSN-L011J022	Air Cylinder	1
33	FUSN-L05020022	Spring	1
34	FUSN-Z17004	Plunger Rod Assembly	1
35	FUSN-L02010022	O-Ring Ø28.24 x 2.62	1
36	FUSN-L011J009	Air Cylinder Piston	1
37	FUSN-L02100007	OA Sealing	1
38	FUSN-L02030004	Seal Z8	1
39	FUSN-L011J005	Piston (Small)	1
40	FUSN-L02100002	Rubber Cap	1
41	FUSN-L02010035	O-Ring Ø72.75 x 1.78	1
42	FUSN-L011J024	Air Inlet Valve Seat	1
43	FUSN-L04038	Elbow	1
44	FUSN-L03010049	Socket Cap Bolt M8 x 145mm	4
45	FUSN-L011J025	Oil Pump Block	1

NOTE: It is our policy to continually improve products and as such we reserve the right to alter data, specifications and component parts without prior notice. There may be alternative versions of this product, please contact us should you require this information.

IMPORTANT: No liability is accepted for incorrect use of product. Spare parts must be fitted by a competent person

WARRANTY: Guarantee is 12 months from purchase date, proof of which will be required for any claim.



Item	Part No.	Description	Qty
3	FUSN-L01A0037	Air Hose Protection Cover	1
4	FUSN-L03010122	Hex Head Socket Screw	4
5	FUSN-L04035	Quick Connector	1
6	FUSN-L04033	Air Inlet Connector (Euro)	1
7	FUSN-L20125	Air Filter	1
8	FUSN-ZC3001	Pump Assembly Cover	1
9	FUSN-L03010033	Hex Socket Screw	2
10	FUSN-L06122	Release Knob	1
11	FUSN-L05020089	Torsion Spring	1
12	FUSN-L03010033	Hex Socket Screw	2
13	FUSN-L03010012	Hex Head Socket Screw	4

Item	Part No.	Description	Qty
14	FUSN-Z50043	Switch Assembly	1
15	SS1035.S	Hex Head Set Screw M10 X 35 Zinc	2
16	FUSN-L01A0030	Frame Locking Cap	2
17	FUSN-Z10014	Pump Assembly	1
18	FUSN-L03010033	Hex Socket Screw	2
19	FUSN-L04005	Elbow	1
20	FUSN-L04038	Elbow	1
21	FUSN-Z21026	Oil Tank Assembly	1
22	FUSN-L03010006	Machine Screw Pan Head Phillips M10 X 16mm	2
23	SWM10.S	Spring Washer M10 Zinc	2

NOTE: It is our policy to continually improve products and as such we reserve the right to alter data, specifications and component parts without prior notice. There may be alternative versions of this product, please contact us should you require this information.

IMPORTANT: No liability is accepted for incorrect use of product. Spare parts must be fitted by a competent person

WARRANTY: Guarantee is 12 months from purchase date, proof of which will be required for any claim.



Parts Information:
Viking Pit Jack 20 Tonne Double Ram
Model No: VPJ20M-2L

Item	Part No.	Description	Qty
24	FUSN-ZC3002	Oil Tank Cover Assembly	1
25	FUSN-L03010003	Plug Screw	1
26	FUSN-L06121A	PU Air Hose	2
27	FUSN-L06121B	PU Air Hose	2
28	FUSN-L06121C	PU Air Hose	2
29	FUSN-L06121D	PU Air Hose	2
30	FUSN-L06118	Nylon Hose	2
31	FUSN-L06121E	PU Air Hose	2
32	FUSN-L04054	Quick Connector	1
33	FUSN-L20138	Oil Hose	2
34	FUSN-L01A0054	Steel Tube	1
35	FUSN-L06120	Oil Tube Clamp	4
36	FUSN-L09008	Oil Hose T-Connection	1

Item	Part No.	Description	Qty
37	FUSN-L20136	Transition Oil Hose	2
38	FUSN-L09007	Oil Pipe Connector	1
39	FUSN-L01A0055	Oil Hose Transition Block	1
40	FUSN-L09005	Oil Tube Elbow (A)	1
41	FUSN-L09006	Oil Tube Elbow (B)	2
42	FUSN-L20137	Elbow Oil Hose	2
43	FUSN-L06121F	PU Air Hose	1
44	FUSN-L04045	Y-Connection	1
45	MSP630.S	Machine Screw Pan Head Phillips M6 X 30mm	4
46	FUSN-L03010096	Hex Socket Cap Screw	2
47	FUSN-L03020010	Hex Nut	2

NOTE: It is our policy to continually improve products and as such we reserve the right to alter data, specifications and component parts without prior notice. There may be alternative versions of this product, please contact us should you require this information.

IMPORTANT: No liability is accepted for incorrect use of product. Spare parts must be fitted by a competent person

WARRANTY: Guarantee is 12 months from purchase date, proof of which will be required for any claim.

Sealey Group, Kempson Way, Suffolk Business Park, Bury St Edmunds, Suffolk. IP32 7AR



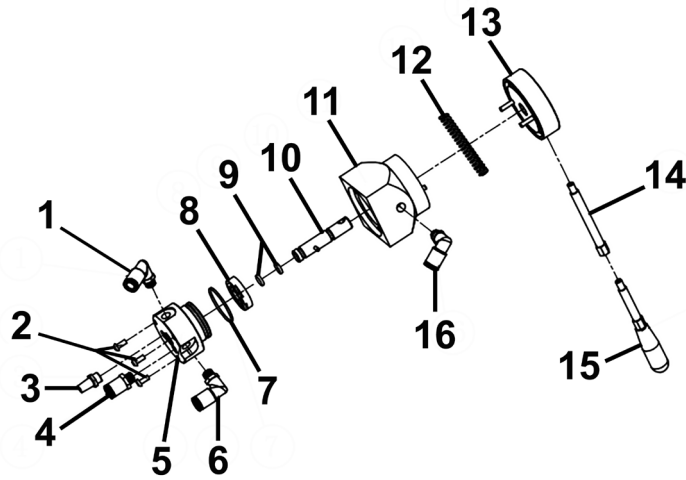
01284 757500



sales@sealey.co.uk

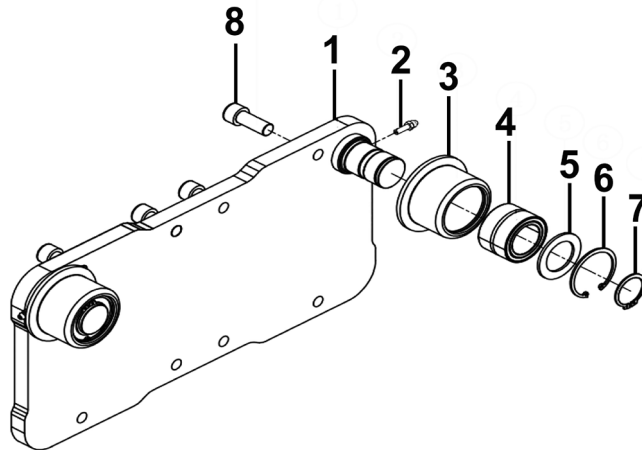


www.sealey.co.uk



Item	Part No.	Description	Qty
1	FUSN-L04038	Elbow	1
2	FUSN-L03010117	Pressure Release Screw	3
3	FUSN-L20019	Silencer	1
4	FUSN-L04009	Quick Connector	1
5	FUSN-L0150023	Switch Insert	1
6	FUSN-L04038	Elbow	1
7	FUSN-L02010024	O-Ring	1
8	FUSN-L0150024	Switch Valve Plate	1

Item	Part No.	Description	Qty
9	FUSN-L02010050	O-Ring Ø8.74 x 1.78	2
10	FUSN-L0150004	Switch Spindle	1
11	FUSN-L0150022	Switch Base	1
12	FUSN-L05020001	Spring	1
13	FUSN-Z50005	Switch Cover Assembly	1
14	FUSN-L01A0031	Switch Handle Extension Bar	1
15	FUSN-L0150017	Switch Handle Grip	1
16	FUSN-L04038	Elbow	1



Item	Part No.	Description	Qty
1	FUSN-L01A0034	Hanging Plate (Short)	1
2	FUSN-L20122	Oil Cup	2
3	FUSN-L01A0032	Roller Wheel	2
4	FUSN-L20121	Needle Bearing	2

Item	Part No.	Description	Qty
5	FUSN-L03030035	Thin Gasket	2
6	FUSN-L05100024	Internal Circlip	2
7	FUSN-L05100025	External Circlip	2
8	FUSN-L03010118	Socket Cap Bolt	8

NOTE: It is our policy to continually improve products and as such we reserve the right to alter data, specifications and component parts without prior notice. There may be alternative versions of this product, please contact us should you require this information.

IMPORTANT: No liability is accepted for incorrect use of product. Spare parts must be fitted by a competent person

WARRANTY: Guarantee is 12 months from purchase date, proof of which will be required for any claim.