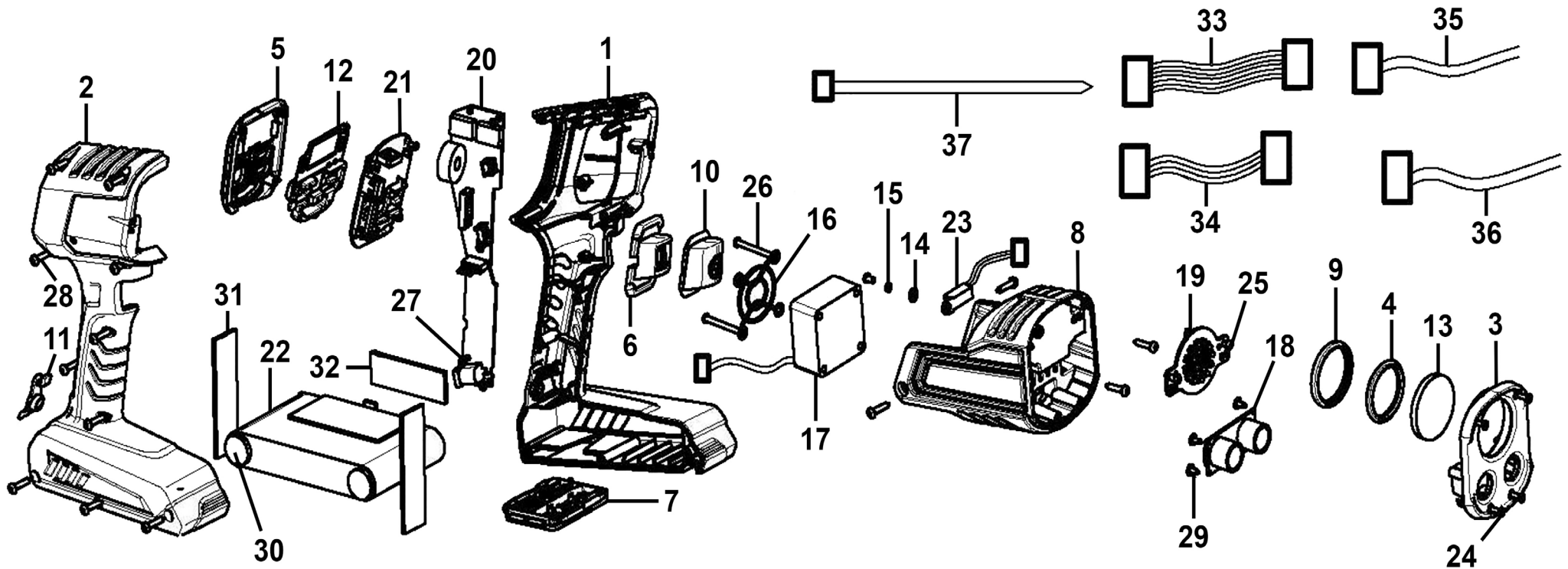




Parts Information:
Rechargeable Inspection UV Curing Light Kit 66W
Model No: UVC01



NOTE: It is our policy to continually improve products and as such we reserve the right to alter data, specifications and component parts without prior notice.

There may be alternative versions of this product, please contact us should you require this information.

IMPORTANT: No liability is accepted for incorrect use of product. Spare parts must be fitted by a competent person

WARRANTY: Guarantee is 12 months from purchase date, proof of which will be required for any claim.

Sealey Group, Kempson Way, Suffolk Business Park, Bury St Edmunds, Suffolk. IP32 7AR



01284 757500



sales@sealey.co.uk



www.sealey.co.uk



Parts Information:
**Rechargeable Inspection UV Curing Light
Kit 66W**
Model No: UVC01

Item	Part No.	Description
1	UVC01-01	Handle, Left Side
2	UVC01-02	Handle, Right Side
3	UVC01-03	LED Cover
4	UVC01-04	Lens Holder
5	UVC01-05	Display Panel
6	UVC01-06	Switch Holder
7	UVC01-07	Battery Cover
8	UVC01-08	Aluminium Housing
9	UVC01-09	Waterproof Ring for Lens
10	UVC01-10	Switch Button
11	UVC01-11	Charging Port Cover
12	UVC01-12	Keypad
13	UVC01-13	Lens Holder
14	UVC01-14	Washer
15	UVC01-15	Spring Washer
16	UVC01-16	Heat Sink Housing
17	UVC01-17	Cooling Fan
18	UVC01-18	Ultrasonic Range Module
19	UVC01-19	UV LED PCB

Item	Part No.	Description
20	UVC01-20	Control PCB
21	UVC01-21	Switch PCB
22	UVC01-22	Li-ion Battery 11.1V 5200mAh
23	UVC01-23	Digital Temperature Sensor
24	UVC01-24	Screw M2.5 x 8mm
25	UVC01-25	Screw M3 x 6mm
26	UVC01-26	Screw M3 x 30mm
27	UVC01-27	Self-Tapping Screw 2.5 x 6mm
28	UVC01-28	Casing Screw 3 x 9mm
29	UVC01-29	Screw 2.5 x 8mm
30	UVC01-30	EVA Pad Ø17 x 3mm
31	UVC01-31	EVA Pad 65 x 20 x 2mm
32	UVC01-32	EVA Pad 55 x 18 x 2.5mm
33	UVC01-33	Flat Cable (24# 5.5cm)
34	UVC01-34	Flat Cable (24# 15cm)
35	UVC01-35	Flat Cable (22# 21cm)
36	UVC01-36	Flat Cable (24# 14cm)
37	UVC01-37	Nylon Cable Tie Belt (3x140mm)

NOTE: It is our policy to continually improve products and as such we reserve the right to alter data, specifications and component parts without prior notice. There may be alternative versions of this product, please contact us should you require this information.

IMPORTANT: No liability is accepted for incorrect use of product. Spare parts must be fitted by a competent person

WARRANTY: Guarantee is 12 months from purchase date, proof of which will be required for any claim.

Sealey Group, Kempson Way, Suffolk Business Park, Bury St Edmunds, Suffolk. IP32 7AR



01284 757500



sales@sealey.co.uk



www.sealey.co.uk