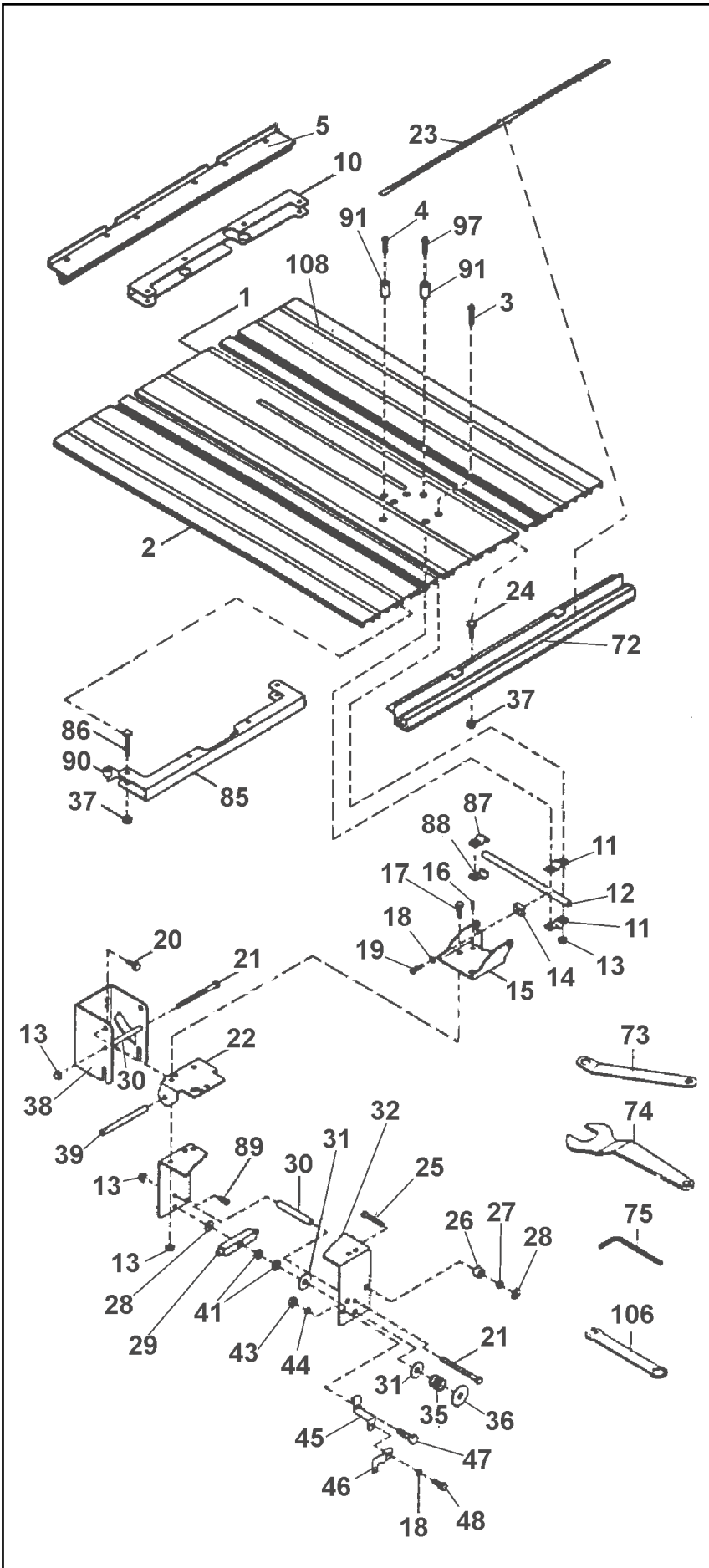


ITEM	PART NO	DESCRIPTION	ITEM	PART NO	DESCRIPTION	ITEM	PART NO	DESCRIPTION
201	TS1098/201	M4X12MM CHEESE GD SCREW	303	TS1098/303	1/4" EXT'N TOOTH LOCKWASHER	415	TS1098/415	M6 EXT'N TOOTH LOCKWASHER
202	TS1098/202	M4X12MM FLAT HEAD SCREW	304	TS1098/304	SUPPORT	416	TS1098/416	M6 FLAT WASHER
203	TS1098/203	JACKSHAFT ASSEMBLY	305	TS1098/305	1/4"X38MM HEX HEAD SCREW	417	TS1098/417	KNOB
204	TS1098/204	NEEDLE BEARING	306	TS1098/306	SPACER	418	TS1098/418	M6 FLAT WASHER
205	TS1098/205	GEAR HOUSING	307	TS1098/307	SPLITTER	419	TS1098/419	M6 FIBER WASHER
206	TS1098/206	BALL BEARING	308	TS1098/308	1/4" FLAT WASHER	420	TS1098/420	M6X8MM PAN HEAD SCREW
207	TS1098/207	ARMATURE	309	TS1098/309	RIVET	421	TS1098/421	SPRING
208	TS1098/208	M5X79MM HEX HEAD SCREW	310	TS1098/310	CLIP	422	TS1098/422	BRACKET
210	TS1098/210	FIELD	311	TS1098/311	GUARD	423	TS1098/423	REAR CLAMP
211	TS1098/211	BALL BEARING	313	TS1098/313	1/4" 1/2" SOC HEAD SCREW	424	TS1098/424	PLASTIC STICKER
212	TS1098/212	HEAVY WASHER	314	TS1098/314	1/4" LOCK WASHER	501	TS1098/501	KNOB
213	TS1098/213	MOTOR HOUSING	315	TS1098/315	1/4" FLAT WASHER	502	TS1098/502	1/4" FLAT WASHER
214	TS1098/214	M5X30MM PAN HEAD SCREW	316	TS1098/316	WARNING PLATE	503	TS1098/503	FIBRE WASHER
215	TS1098/215	M5 HEX NUT	401	TS1098/401	WARNING PLATE	504	TS1098/504	MITRE GAGE BODY
216	TS1098/216	BRUSH HOLDER	402	TS1098/402	FRONT BLOCK	505	TS1098/505	3.16" HEX NUT
217	TS1098/217	BRUSH	403	TS1098/403	LOCK ROD	506	TS1098/506	16"X19MM PAN HEAD SCREW
218	TS1098/218	END CAP	404	TS1098/404	D6X16MM ROLL PIN	507	TS1098/507	MIDDLE PIN
219	TS1098/219	WIRE NUT	405	TS1098/405	LOCKING LEVER	508	TS1098/508	BAR
220	TS1098/220	MOTOR C/W TERMINALS	406	TS1098/406	FENCE BODY	509	TS1098/509	3/16"X9.5MM FLAT HEAD SCREW
221	TS1098/221	PAD	407	TS1098/407	M6X10M HEX HEAD SCREW	510	TS1098/510	STUD
222	TS1098/222	STRAIN RELIEF	408	TS1098/408	D6 EXTENSION TOOTH WASHER	511	TS1098/511	3/16"X9.5MM PAN HEAD SCREW
223	TS1098/223	M5X70MM PAN HD SCREW	409	TS1098/409	SPRING	512	TS1098/512	D5 FLAT WASHER
224	TS1098/224	M5 TOOTH WASHER	410	TS1098/410	SUPPORT PLATE	513	TS1098/513	POINTER
225	TS1098/225	M4X8MM FLAT HEAD SCREW	411	TS1098/411	FRONT CLAMP	514	TS1098/514	GUIDE BLOCK
226	TS1098/226	D4 EXT'N TOOTH LOCKWASHER	412	TS1098/412	M4X8MM PAN HEAD SCREW	515	TS1098/515	PIN
301	TS1098/301	RUBBER BUMPER	413	TS1098/413	POINTER			
302	TS1098/302	1/4" HEX NUT	414	TS1098/414	M6X55MM PAN HEAD SCREW			



ITEM	PART NO	DESCRIPTION
001	TS1098/001	MID TABLE
002	TS1098/002	LEFT SIDE TABLE
003	TS1098/003	1/4" X 7/8" FLAT HEAD SCREW
004	TS1098/004	M8X30MM SOCKET SET SCREW
005	TS1098/005	BACK RAIL
010	TS1098/010	BACK BRACKET
011	TS1098/011	STRAP
012	TS1098/012	PIVOT ROD
013	TS1098/013	1/4" SPECIAL NUT
014	TS1098/014	SADDLE
015	TS1098/015	PIVOT BRACKET
016	TS1098/016	PIN
017	TS1098/017	1/4" X 3-1/4" HEX HEAD SCREW
018	TS1098/018	D5 EXT'N TOOTH LOCKWASHER
019	TS1098/019	M5X20MM HEX HEAD SCREW
020	TS1098/020	M6X18MM HEX HEAD SCREW
021	TS1098/021	1/4" X 3-1/4" HEX HEAD SCREW
022	TS1098/022	MOUNTING PLATE
023	TS1098/023	SCALE LABEL
024	TS1098/024	M6X12MM HEX HEAD SCREW
025	TS1098/025	1/4" x35mm CARRIAGE BOLT
026	TS1098/026	SPACER
027	TS1098/027	1/4" HEX NUT
028	TS1098/028	1/4" FLAT WASHER
029	TS1098/029	BLOCK
031	TS1098/031	3/8" FLAT WASHER
032	TS1098/032	BRACKET
035	TS1098/035	SPRING
036	TS1098/036	1/2" FLAT WASHER
037	TS1098/037	M6 SPECIAL NUT
038	TS1098/038	MOTOR BRACKET
039	TS1098/039	D8X90MM ROLL PIN
041	TS1098/041	3/8" HEX NUT
043	TS1098/043	5/16" HEX NUT
044	TS1098/044	5/16" TOOTH LOCKWASHER
045	TS1098/045	POINTER BRACKET
046	TS1098/046	POINTER
047	TS1098/047	5/16"X5/8" HEX HEAD SCREW
048	TS1098/048	3/16" X1/4" BIND HEAD SCREW
072	TS1098/072	FRONT RAIL
073	TS1098/073	ARBOR WRENCH
074	TS1098/074	WRENCH
075	TS1098/075	5MM HEX WRENCH
085	TS1098/085	FRONT BRACKET
086	TS1098/086	M6X42MM HEX HEAD SCREW
087	TS1098/087	STRAP
088	TS1098/088	STRAP
089	TS1098/089	1/4"X1/2" HEX HEAD SCREW
090	TS1098/090	SPACER
091	TS1098/091	NUT
097	TS1098/097	M8X40MM HEX SOCKET SET SCREW
106	TS1098/106	10MM WRENCH
108	TS1098/108	RIGHT SIDE TABLE

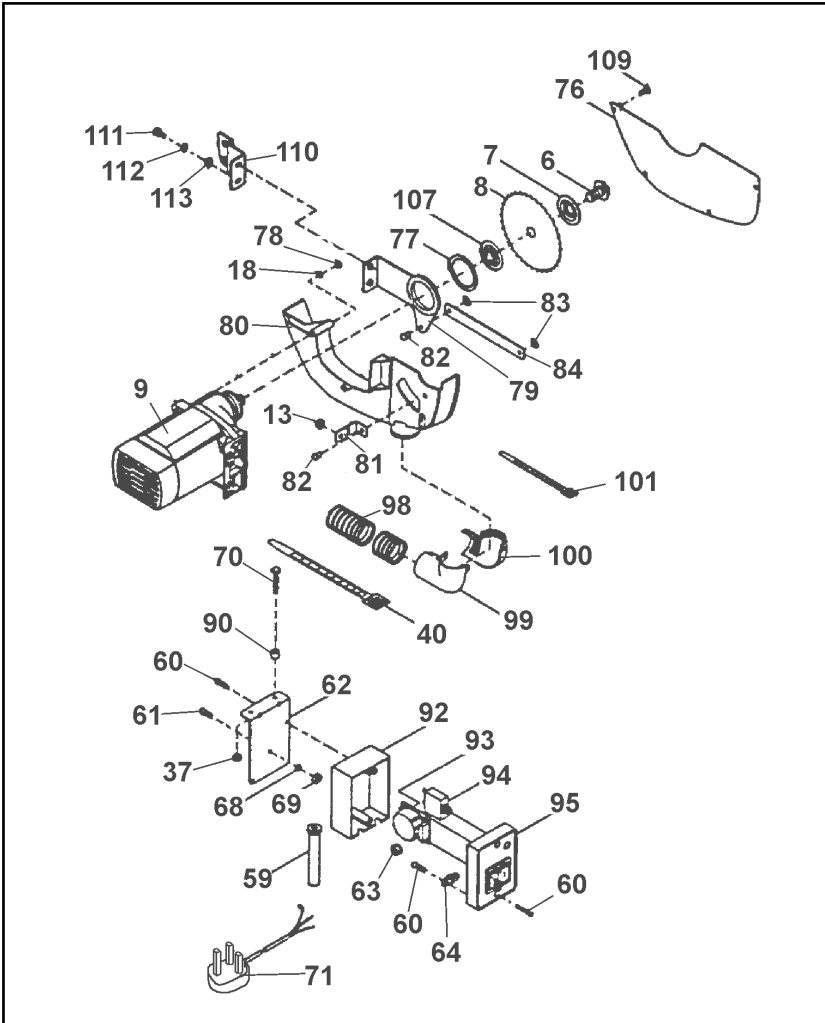
**SEALEY** *Quality* **MACHINERY**

Sole UK Distributor,  
Sealey Group,  
Bury St. Edmunds, Suffolk.

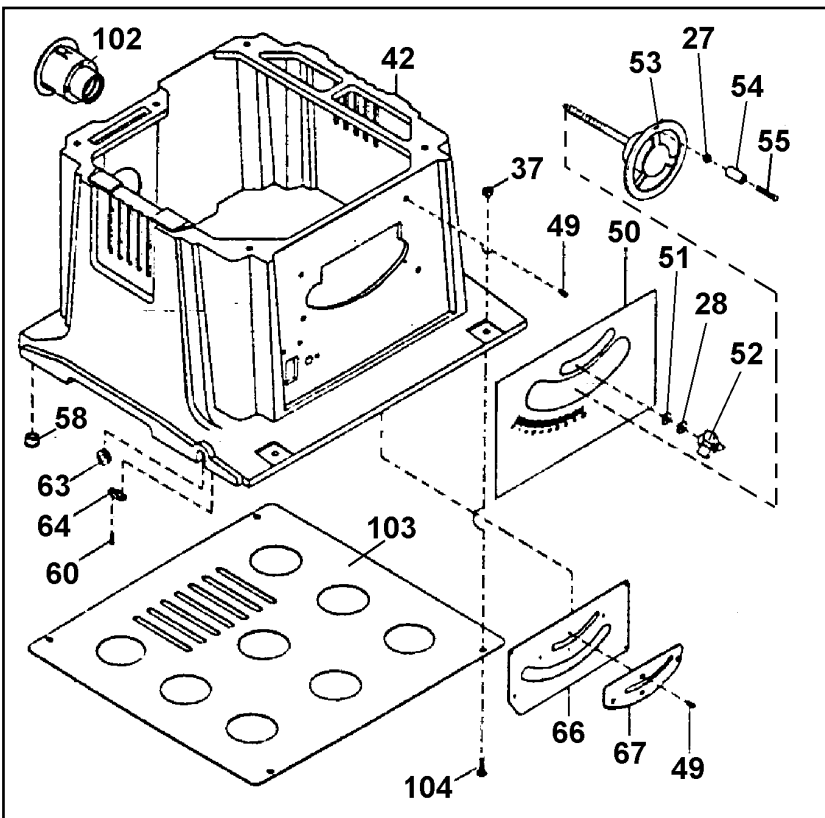
**01284 757500**

**01284 703534**

**E-mail:**  
sales@sealey.co.uk



ITEM	PART NO	DESCRIPTION
006	TS1098/006	ARBOR NUT
007	TS1098/007	FLANGE
008	TS1098/008	254MM BLADE
009	TS1098/009	MOTOR ASSEMBLY
013	TS1098/013	1/4" SPECIAL NUT
027	TS1098/027	1/4" HEX NUT
028	TS1098/028	1/4" FLAT WASHER
037	TS1098/037	M6 SPECIAL NUT
040	TS1098/040	LOCKING CABLE TIE
042	TS1098/042	BASE
049	TS1098/049	M4X7MM FLAT HEAD SCREW
050	TS1098/050	NAMEPLATE
051	TS1098/051	D6.5 PLASTIC WASHER
052	TS1098/052	FILTER LOCK KNOB
053	TS1098/053	HANDWHEEL
054	TS1098/054	HANDLE
055	TS1098/055	1/4"x29MM PAN HANDLE SCREW
058	TS1098/058	RUBBER FOOT
059	TS1098/059	CORD GUARD
060	TS1098/060	M4X16MM PAN HEAD SCREW
061	TS1098/061	M4X20MM PAN HEAD SCREW
062	TS1098/062	SWITCH PLATE
063	TS1098/063	SLEEVE
064	TS1098/064	CORD CLAMP
066	TS1098/066	BASE PLATE
067	TS1098/067	GEAR PLATE
068	TS1098/068	D5 EXT'N TOOTH LOCKWASHER
069	TS1098/069	M5 HEX NUT
070	TS1098/070	M6X30MM HEX HEAD SCREW
071	TS1098/071	POWER CORD
076	TS1098/076	BLADE COVER
077	TS1098/077	S45 EXTERNAL RETAINING RING
078	TS1098/078	M5 HEX NUT
079	TS1098/079	LEVER
080	TS1098/080	LOWER GUARD
081	TS1098/081	BRACE BRACKET
082	TS1098/082	RIVET
083	TS1098/083	CLIP
084	TS1098/084	BRACE
090	TS1098/090	SPACER
092	TS1098/092	LOWER SWITCH BOX
093	TS1098/093	FILTER
094	TS1098/094	OVERLOAD
095	TS1098/095	MAGNETIC SWITCH
098	TS1098/098	HOSE
099	TS1098/099	RIGHT ELBOW
100	TS1098/100	LEFT ELBOW
101	TS1098/101	LOCKING CABLE TIE
102	TS1098/102	DUST CONNECTOR
103	TS1098/103	BASE COVER
104	TS1098/104	M8 CARRIAGE BOLTS
107	TS1098/107	FLANGE
109	TS1098/109	M6X15MM HEX HEAD SCREW



Sole UK Distributor,  
Sealey Group,  
Bury St. Edmunds, Suffolk.

 **01284 757500**

 **01284 703534**

**E-mail:**  
[sales@sealey.co.uk](mailto:sales@sealey.co.uk)