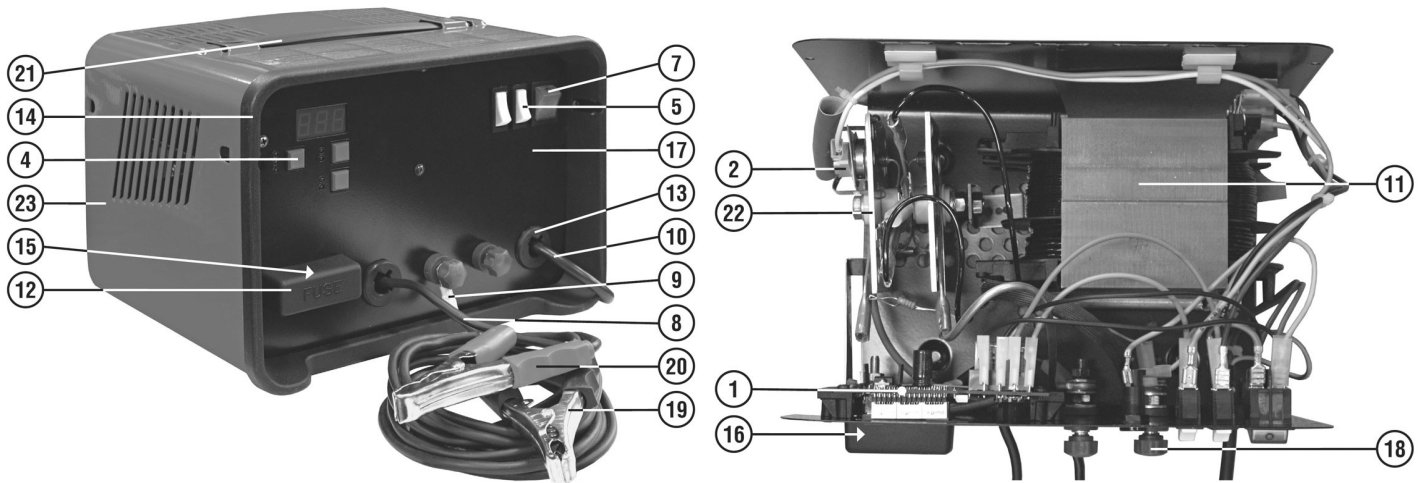
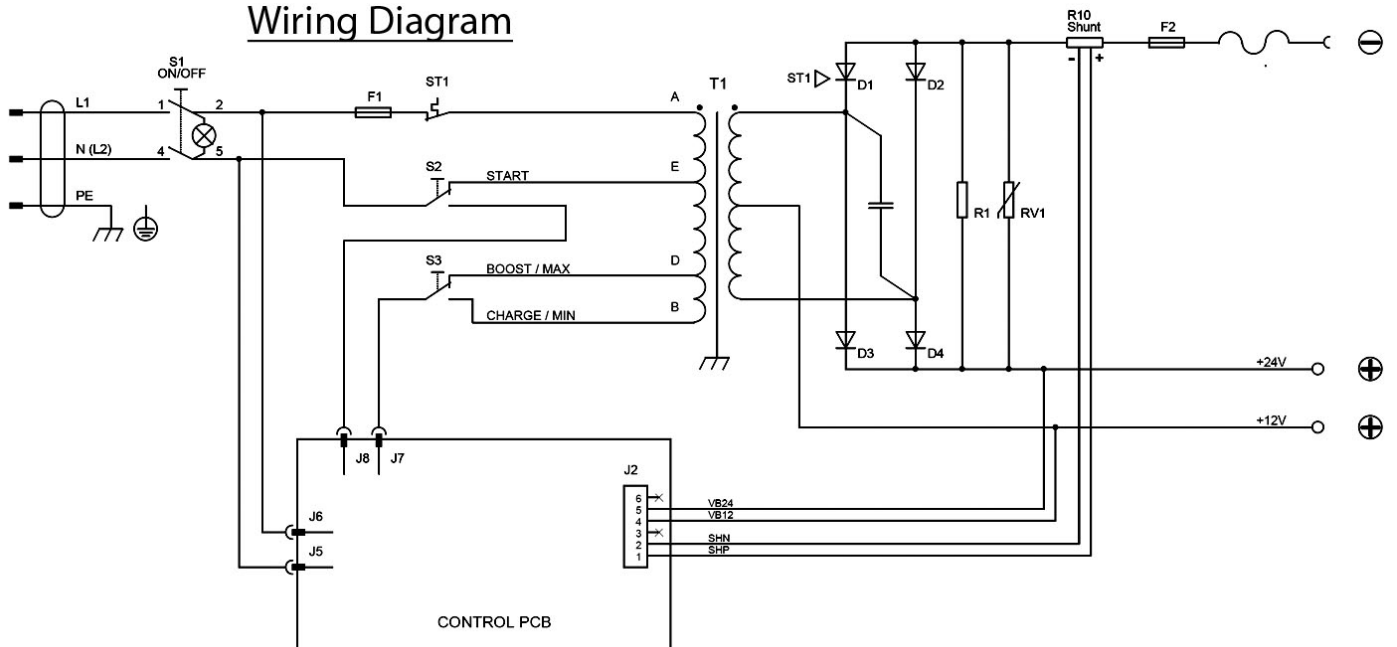




Parts Information:  
**Electronic Starter/Charger 180Amp**  
**12V/24V 230V**  
**Model No: TRANSTART180.V2**



**Wiring Diagram**



Item	Part No.	Description
1	120.980727	BOARD KIT
2	120.121021	THERMOSTAT 15A 250-400V
4	120.121271	PUSHBUTTON
5	120/122400	SWITCH, WHITE ROCKER
7	120/122381	SWITCH, GREEN ROCKER
8	120/123569	WORK CLAMP W/CABLE (L:2m D:6mm)
9	120.123581	CLAMP (POS)W/CABLE (L:2m D:6mm)
10	MC3CX1.5	MAINS CABLE BLK, 3 CORE, 1.5MM2
11	120.169561	TRANSFORMER (REPLACES 120.169402)
12	START560.03	FUSE COVER
13	120.322112	BUSHING
14	120.322665	FRAME

Item	Part No.	Description
15	120/802258	FUSE 30Amp for TRANSTART180 Pack of 20
--	120/802258-S	FUSE, SINGLE 30 AMP (NOT SHOWN)
16	120.980036	FUSE HOLDER (SINGLE POST)
17	120.980962	FRONT PANEL KIT
18	120/990072	FUSE TERMINAL COMPLETE
19	120.712361	PINCER,COLORADO 60B WORK CLAMP 60A)
20	120.712360	PINCER, COLORADO 60R POS CLAMP UP TO 200
21	120/990340	HANDLE
22	120.990774	RECTIFIER KIT
23	120.990939	COVER KIT
--	120.712360	PINCER, COLORADO 60R POS CLAMP UP TO 200 (NOT SHOWN)

**NOTE:** It is our policy to continually improve products and as such we reserve the right to alter data, specifications and component parts without prior notice.

**IMPORTANT:** No liability is accepted for incorrect use of product.

**WARRANTY:** Guarantee is 12 months from purchase date, proof of which will be required for any claim.

**Sealey Group**, Kempson Way, Suffolk Business Park, Bury St Edmunds, Suffolk. IP32 7AR



01284 757500



01284 703534



sales@sealey.co.uk



www.sealey.co.uk