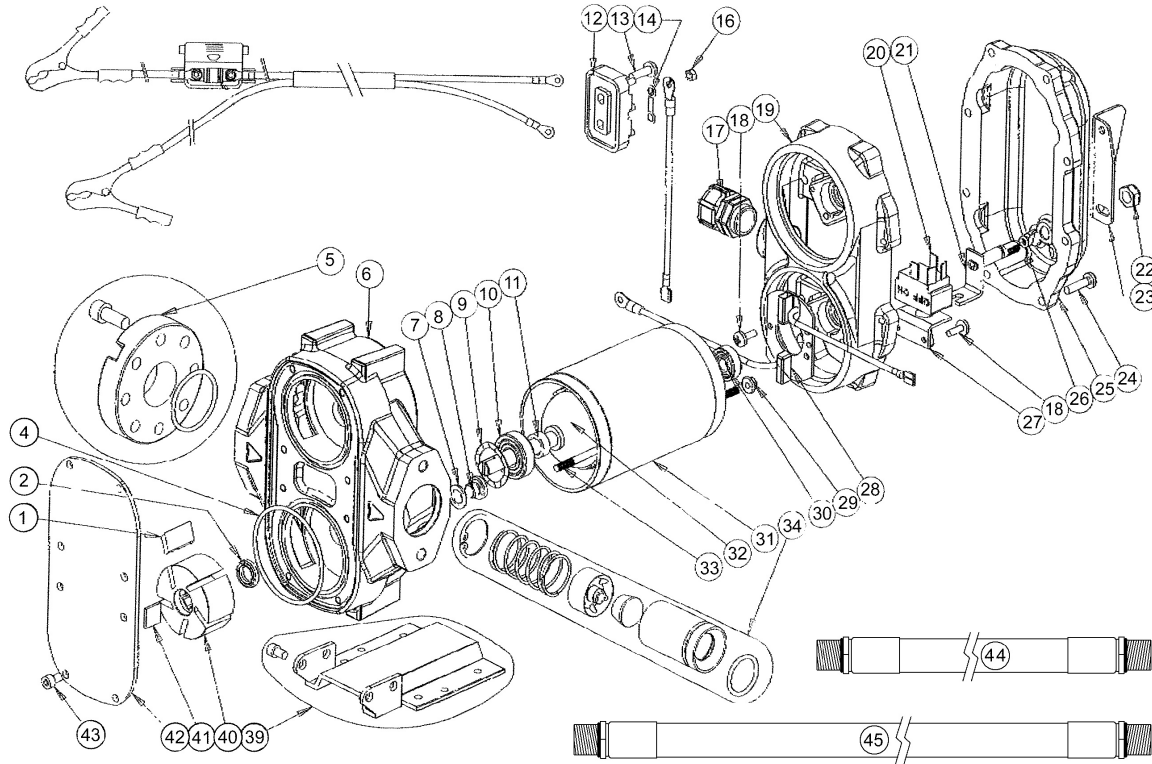


Parts Information: Diesel & Fluid Transfer Pump 12V High Volume Model No: TP98



Item	Part No.	Description
1	500/9826	Vane 24x12.6x4
2	500/10132	NBR Sealing Ring 11x19x7
4	500/9953	Or Gasket 3337 60.25x2.62 Chamber Cover Seal
5	500/9180	Flange Kit
6	500/9922	Double Pump Casing
7	500/10013	Washer
8	500/10001	Plug G/8 Socket Head
9	500/10122	Compensating Ring 31.7x26.5x0.4
10	B/6201-2RS	Bearing 6201-2RS
11	500/10121	Ring
12	500/9959	6 Pin Terminal Board
13	500/8826	Screw M5x16
14	500/9995	Electric Connector Blade
16	SN4.S	Steel Nut M4 Zinc Din934 (Single)
17	500/9964	Cable Clamp
18	500/8695	Screw
19	500/9923	Terminal Board Case, Aluminium
20	500/9965	Switch
21	500/9967	Switch Lever/Pin (Kit)
22	500/8799	Nut
23	500/9970	Pump Starting Lever
24	500/10024	Screw

Item	Part No.	Description
25	500/9924	Terminal Board Cover, Aluminium
26	500/6886	Seal
27	500/9966	Switch Plate
28	500.1412	Pump Motor Repair Kit
29	500/10023	Hex Nut
30	B/608ZZ	Bearing 608ZZ
31	500/10010	Rotor Body
32	500/10102	Rotor Complete
33	500/10022	Tie Rod
34	500/10450	By-Pass Cartridge
39	500/9224	Pump Base Kit
40	500/9872	Rotor
41	500/10102	Rotor Complete
42	500/9893	Chamber Cover 162.6x82x3
43	SCB510.S	Socket Cap Bolt Zinc M5x10
44	500.12119000	Suction/Inlet Hose 2Mtr
45	500/OAB3086	Hose
--	TP108	Dispenser Nozzle Manual For Diesel Or Leaded Petrol (NOT SHOWN)
--	120/802309	Fuse 40Amp Pack Of 20 (NOT SHOWN)
--	500/R10068000	30A Fuse 30A 32V 4x1.2 (NOT SHOWN)
--	500.7746	Non-Return Valve C/W Strainer (NOT SHOWN)

NOTE: It is our policy to continually improve products and as such we reserve the right to alter data, specifications and component parts without prior notice.

IMPORTANT: No liability is accepted for incorrect use of product.

WARRANTY: Guarantee is 12 months from purchase date, proof of which will be required for any claim.