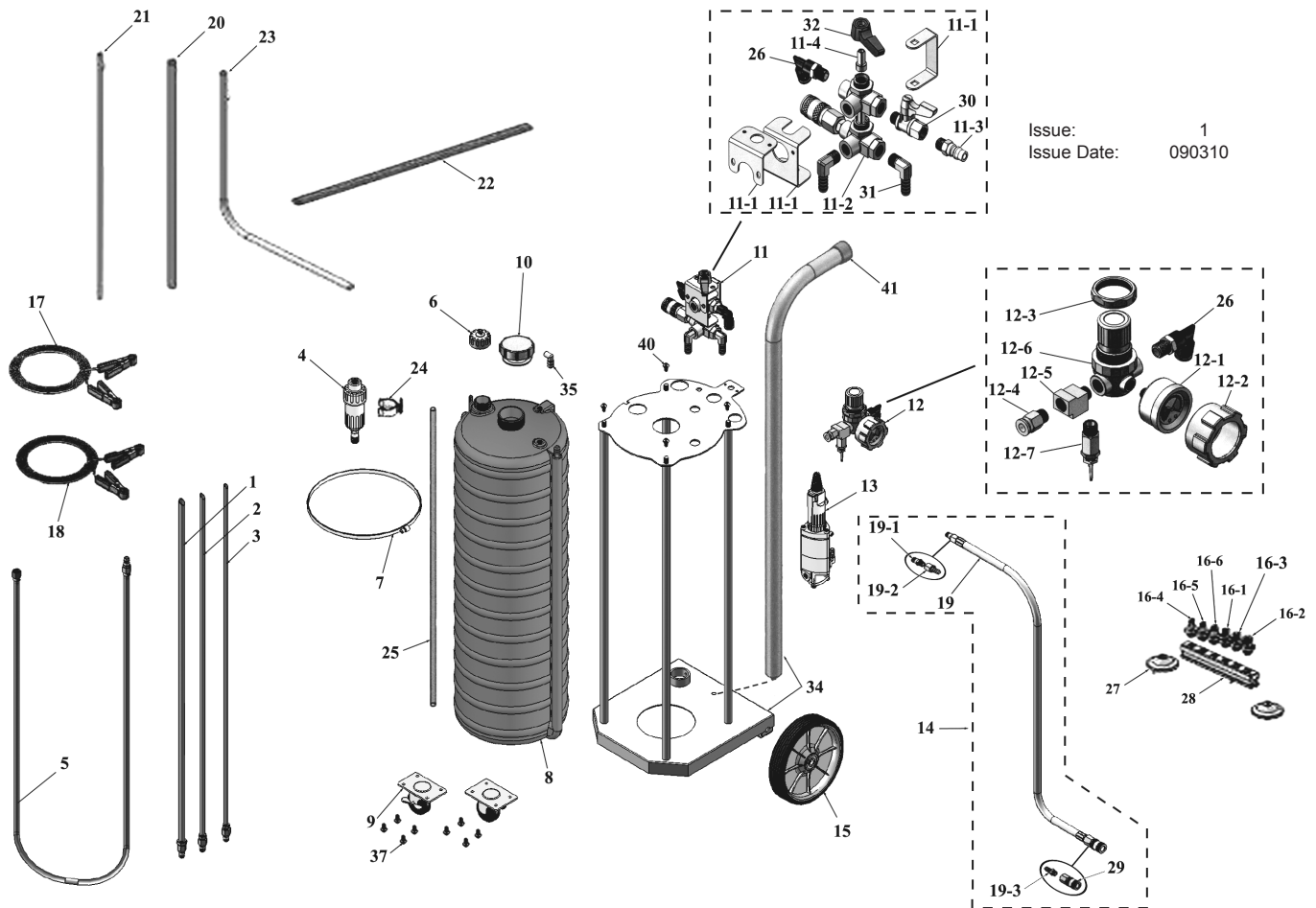


PARTS FOR: AIR OPERATED FUEL DRAINER MODEL: TP200.V2

Issue: 1
Issue Date: 090310



ITEM	PART NO	DESCRIPTION	ITEM	PART NO	DESCRIPTION
1	TP200.01	HOSE 1/2" x 1.5m	16-5	TP200.16-5	ADAPTOR H19 x 8.5mm x 40.2L
2	TP200.02	HOSE 3/8" x 1.5m	16-6	TP200.16-6	ADAPTOR H19 x 10.5mm x 40.2L
3	TP200.03	HOSE 5/16" x 1.5m	17	TP200.17	EARTH CABLE (GREEN)
4	TP200.04	OIL FILTER	18	TP200.18	EARTH CABLE (YELLOW)
5	TP200.05	EXTENSION HOSE	19	TP200.19	HOSE
6	TP200.06	RELIEF VALVE CAP	19-1	TP200.19-1	MAIN HOSE ADAPTOR (F)
7	TP200.07	TANK STRAP	19-2	TP200.19-2	MAIN HOSE CONNECTOR
8	TP200.08	CONTAINER	19-3	TP200.19-3	MAIN HOSE CONNECTOR
9	TP200.09	CASTOR WHEEL	20	TP200.20	HOSE (BLACK)
10	TP200.10	TANK LID	21	TP200.21	HOSE N-11
11	TP200.11	AIR INTAKE ASS'Y	22	TP200.22	WIRE HOSE
11-1	TP200.11-1	AIR INTAKE BRACKET (3pcs)	23	TP200.23	PU HOSE
11-2	TP200.11-2	BODY FOR AIR INTAKE	24	TP200.24	AIR FILTER SEAT
11-3	TP200.11-3	HOSE CONNECTOR	25	TP200.25	LEVEL TUBE
11-4	TP200.11-4	RED KNOB SHAFT	26	TP200.26	ELBOW
12	TP200.12	AIR REGULATOR COMPLETE	27	TP200.27	PAD FOR ADAPTER SEAT
12-1	TP200.12-1	GAUGE	28	TP200.28	ADAPTER SEAT
12-2	TP200.12-2	GAUGE COVER	29	TP200.29	MAIN HOSE ADAPTOR (M)
12-3	TP200.12-3	REGULATOR RING	30	TP200.30	OVERFLOW VALVE
12-4	TP200.12-4	HOSE CONNECTOR FOR AIR REGULATOR	31	TP200.31	ELBOW
12-5	TP200.12-5	CONNECTING BLOCK	32	TP200.32	RED KNOB
12-6	TP200.12-6	REGULATOR BODY	34	TP200.34	FRAME ASSEMBLY
12-7	TP200.12-7	VALVE FOR AIR REGULATOR	35	TP200.35	PLASTIC ELBOW FOR TANK
13	TP200.13	PUMP	--	TP200.36	PLASTIC TUBE, BLACK (not shown)
14	TP200.14	HOSE (c/w HOSE CONNECTORS)	37	TP200.37	SCREW
15	TP200.15	8" WHEEL	--	TP200.38	HOSE CLIP (not shown)
16-1	TP200.16-1	ADAPTOR H19 x M10 x 41.5L	--	TP200.39	PLASTIC TUBE CLAMP (not shown)
16-2	TP200.16-2	ADAPTOR H19 x M14 x 41.5L	40	TP200.40	BOLT FOR TOP FRAME
16-3	TP200.16-3	ADAPTOR H19 x M12 x 41.5L	41	TP200.41	HANDLE END CAP
16-4	TP200.16-4	ADAPTOR H19 x 6.5mm x 40.5L			

NOTE: It is our policy to continually improve products and as such we reserve the right to alter data, specifications and component parts without prior notice.

IMPORTANT: No liability is accepted for incorrect use of product.

WARRANTY: Guarantee is 12 months from purchase date, proof of which will be required for any claim.

INFORMATION: For a copy of our latest catalogue and promotions call us on 01284 757525 and leave your full name and address, including postcode.