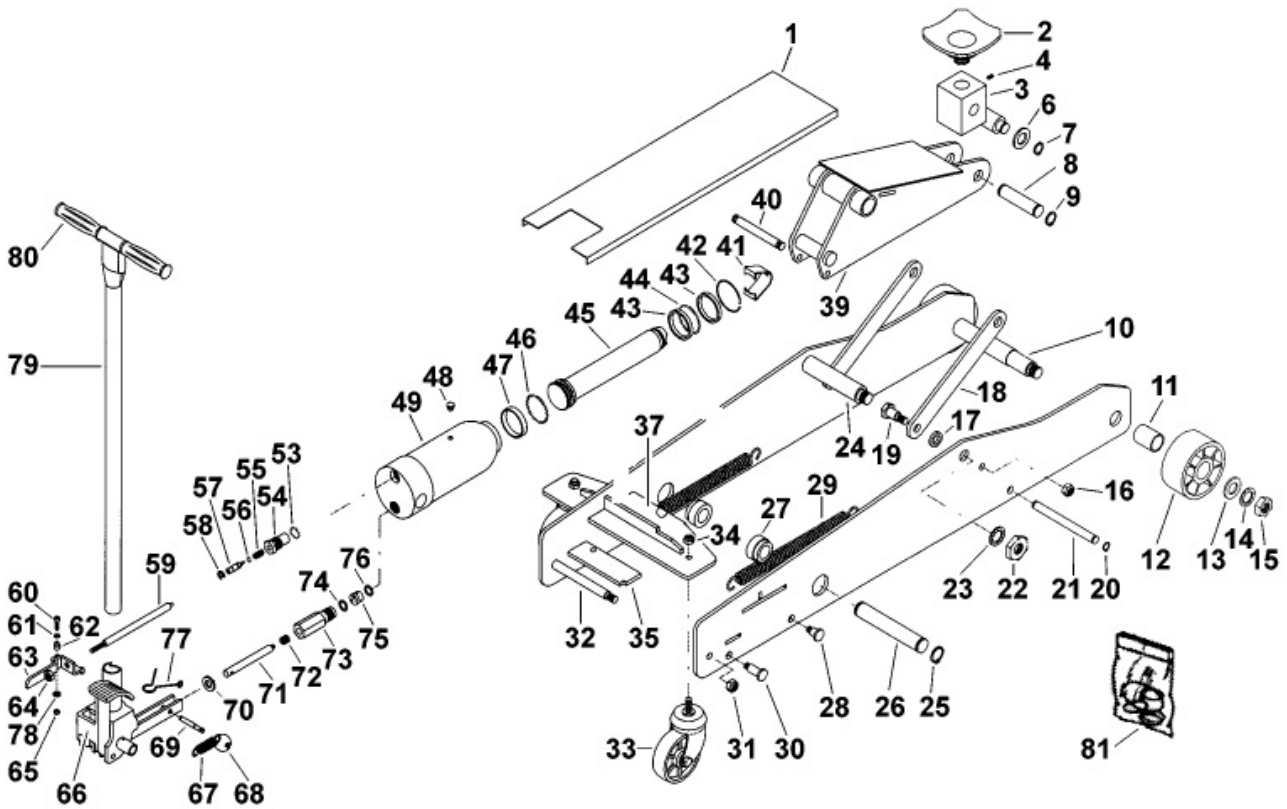




Parts Information:  
Trolley Jack Premier 5ton Long Reach  
Model No: TJ5.V2



**NOTE:** It is our policy to continually improve products and as such we reserve the right to alter data, specifications and component parts without prior notice.

**IMPORTANT:** No liability is accepted for incorrect use of product.

**WARRANTY:** Guarantee is 12 months from purchase date, proof of which will be required for any claim.

Sealey Group, Kempson Way, Suffolk Business Park, Bury St Edmunds, Suffolk. IP32 7AR



01284 757500



01284 703534



sales@sealey.co.uk



www.sealey.co.uk



Parts Information:  
Trolley Jack Premier 5ton Long Reach  
Model No: TJ5.V2

Item	Part No.	Description
1	TJM-6/1239	COVER
2	TJM-6/C17	SADDLE "SQUARE TYPE"
3	TJM-6/C38	SADDLE CARRIER
4	GSM610.S	GRUB SCREW M6x10 (SINGLE)
6	FWM24.S	FLAT WASHER M24 SINGLE
7	MI-10/1377	RETAINER RING
8	TJM-6/1192	AXLE
9	MB-34-B/1343	RETAINER RING
10	TJM-6/1190	AXLE
11	TJM-6/1404	BUSHING
12	TJM-6/1213	WHEEL
13	FWM24.S	FLAT WASHER M24 SINGLE
14	TJM-3/1335	WASHER
15	TJM-3/1540	NUT
16	NLN14.S	NYLOC NUT M14 ZINC DIN 985 (SINGLE)
17	TJM-2/1417	BUSHING
18	TJM-6/1200	ARM LINK
19	TJM-6/1204	SCREW
20	MB-32-B/1377	RETAINER RING
21	TJM-5/1575	AXLE
22	TJM-3/1540	NUT
23	TJM-3/1335	WASHER
24	TJM-6/1191	AXLE
25	MB-24-B/1377	RETAINER RING
26	TJM-6/1189	AXLE
27	TJM-6/1207	BUSHING
28	TJM-12/1386	AXLE
29	MK-30/1240	SPRING
30	TJM-6/1455	AXLE
31	NLN14.S	NYLOC NUT M14 ZINC DIN 985 (SINGLE)
32	TJM-6/1278	AXLE
33	TJM-6/1214	WHEEL,CASTOR (80x8x31x123)(12MM FIXING)
34	NLN12.S	NYLOC NUT M12 ZINC DIN 985 (SINGLE)
35	TJM-6/1281	PLATE
37	TJM-6/1233	WHEEL SUPPORT
39	TJM-6/C3	ARM
40	TJM-12/1263	AXLE
41	MB-26-A/1256	CLAMP

Item	Part No.	Description
42	MG-20/1361	RING
43	MG-20/1102	RING
44	MG-20/1131	O-RING
45	TJM-6/1105	MAIN PISTON
46	MG-20/1134	O-RING
47	MG-20/1164	RING
48	ME-12001/113	9 FILLER PLUG
49	TJM-6/C12	HYDRAULIC UNIT
53	MG-3/1134	O-RING
54	TJ-2/1126	TUBULAR NUT
55	TJ-2/1527	SPRING
56	WD102/27	O-RING
57	TJ-3/1125	AXLE
58	WD102/29	RETAINING RING
59	TJM-6/1261	AXLE
60	CSA-5-A/1383	SCREW
61	CSA-12-A/2067	WASHER
62	TJM-10/2147	BUSHING
63	TJ-2/1516	RELEASE ROD
64	ME-1002/1114	NUT
65	MB-22-B/1471	NUT
66	TJM-6/C13	FOOT PEDAL
67	TJM-6/1241	SPRING
68	MB-33-B/1451	RETAINER RING
69	MB-33-4/1450	AXLE
70	TJ-2/1205	WASHER
71	TJ-3/1110	PUMP PISTON
72	TJ-2/1133	SEAL
73	TJ-2/1109	PUMP CYLINDER
74	TJ-2/1120	COPPER SEALING RING
75	TJ-2/C10	VALVES
76	TJ-2/1120	COPPER SEALING RING
77	TJ-2/1374	SPRING
78	TR-2/1630	WASHER
79	TJ-3/C21	HANDLE
80	BM-04/1452	GRIP
81	RTJ-6	REPAIR KIT
--	TJ-6A/C2	HYDRAULIC UNIT (NOT SHOWN)

**NOTE:** It is our policy to continually improve products and as such we reserve the right to alter data, specifications and component parts without prior notice.

**IMPORTANT:** No liability is accepted for incorrect use of product.

**WARRANTY:** Guarantee is 12 months from purchase date, proof of which will be required for any claim.

Sealey Group, Kempson Way, Suffolk Business Park, Bury St Edmunds, Suffolk. IP32 7AR



01284 757500



01284 703534



sales@sealey.co.uk



www.sealey.co.uk