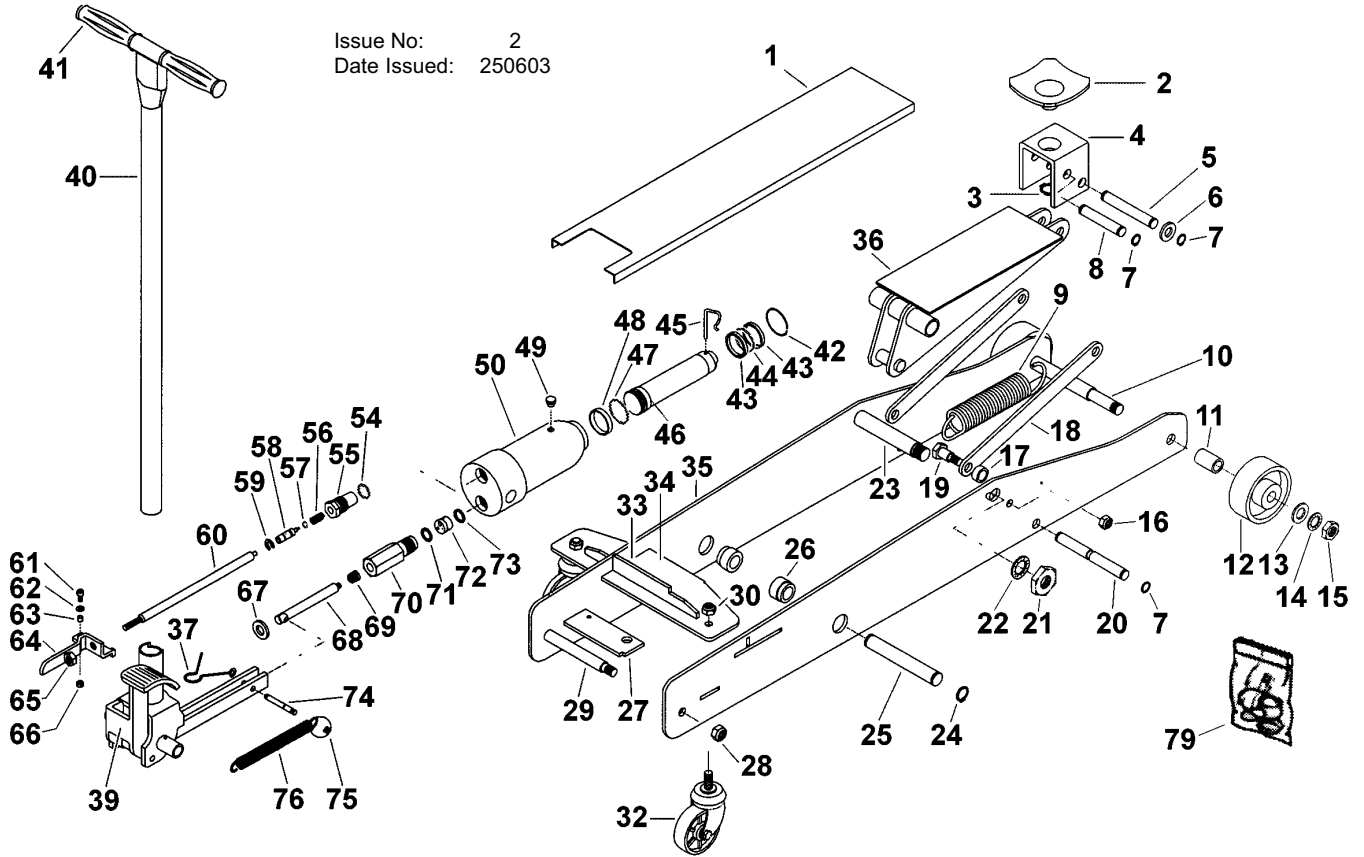


Issue No: 2
Date Issued: 250603



Item	Part No.	Description	Item	Part No.	Description	Item	Part No.	Description
1	TJ3A/01	Cover	27	TJ3A/27	Plate	58	TJ3A/58	Axle
2	TJ3A/02	Saddle	28	TJ3A/28	Nut	59	TJ3A/59	Circlip
3	TJ3A/03	Circlip	29	TJ3A/29	Axle	60	TJ3A/60	Rod
4	TJ3A/04	Saddle Carrier	30	TJ3A/30	Nut	61	TJ3A/61	Screw
5	TJ3A/05	Axle	32	TJ3A/32	Wheel	62	TJ3A/62	Washer
6	TJ3A/06	Washer	33	TJ3A/33	Reinforcement	63	TJ3A/63	Bushing
7	TJ3A/07	Circlip	34	TJ3A/34	Wheel Support	64	TJ3A/64	Release Rod
8	TJ3A/08	Axle	35	TJ3A/35	Frame	65	TJ3A/65	Nut
9	TJ3A/09	Spring	36	TJ3A/36	Arm	66	TJ3A/66	Nut
10	TJ3A/10	Axle	37	TJ3A/37	Spring	67	TJ3A/67	Washer
11	TJ3A/11	Bushing	39	TJ3A/39	Handle Socket	68	TJ3A/68	Pump Piston
12	TJ3A/12	Wheel	40	TJ3A/40	Handle	69	TJ3A/69	Seal*
13	TJ3A/13	Washer	41	TJ3A/41	Grip	70	TJ3A/70	Pump Cylinder
14	TJ3A/14	Washer	42	TJ3A/42	Ring*	71	TJ3A/71	Washer*
15	TJ3A/15	Nut	43	TJ3A/43	Ring	72	TJ3A/72	Valve
16	TJ3A/16	Nut	44	TJ3A/44	O-ring*	73	TJ3A/73	Washer*
17	TJ3A/17	Bushing	45	TJ3A/45	Clamp	74	TJ3A/74	Axle
18	TJ3A/18	Arm Link	46	TJ3A/46	Main Piston	75	TJ3A/75	Circlip
19	TJ3A/19	Screw	47	TJ3A/47	O-ring*	76	TJ3A/76	Spring
20	TJ3A/20	Axle	48	TJ3A/48	Ring*	79	TJ3A/RK	Repair Kit, consisting of those items marked *.
21	TJ3A/21	Nut	49	TJ3A/49	Filler Plug*	-	TJ-10A/C2	Complete Hydraulic Unit, consisting of items 42 to 71 inc.
22	TJ3A/22	Washer	50	TJ3A/50	Hydraulic Cylinder			
23	TJ3A/23	Axle	54	TJ3A/54	O-ring*			
24	TJ3A/24	Circlip	55	TJ3A/55	Nut			
25	TJ3A/25	Axle	56	TJ3A/56	Spring			
26	TJ3A/26	Bushing	57	TJ3A/57	O-ring*			