

Item	Part No.	Description
1	120/112017	Potentiometer
2	120/112048	Resistor
3	120/112514	Capacitor 470uf 400V 50x35
4	120.112948	Diode
5	120/113018	Rectifier
6	120.113233	Relay
7	120/113487	PWM Controller
8	120.114370	Control Board
9	120.114375	H.F. Card
10	120.120605	Control Cable
11	120.120612	Socket Cable
12	120.121029	Electro-Valve 230V
13	120/121043	Knob Kit
14	120.121192	Switch
15	120/122381	Switch, Green Rocker
17	120.121192	Switch
18	MC3CX1.5	Mains Cable Blk, 3 Core, 1.5mm ²
19	120/152006	Fan
20	120/164741	Inductance Filter
21	120/169088	Auxiliary Transformer
22	120.169306	Power Transformer
23	120.169307	Inductance

Item	Part No.	Description
24	120.169309	Transformer
25	120.169317	H.F. Transformer
26	120.322112	Bushing
27	120/322406	Belt Buckle
28	120/322407	Belt Hook
29	120/322408	Belt
30	120/602052	Fitting, Ext Gas Pipe (120/gh) Use With 602066
31	120.649578	Bottom
32	120/712035	Dinse Socket
33	120.990734	Kit igbt + Diode
34	120.990839	Cover Kit
35	120.990818	Complete PCB Kit
36	120/990120	Coupler, Gas Hose
--	REG/MT	MIG Gas Regulator 2 Gauge Industrial (NOT SHOWN)
--	120/712231	Work Clamp (NOT SHOWN)
--	LS/16	Lead (Single) 16mm 3m C/W Eyes (NOT SHOWN)
--	120/712039	Dinse Plug Small (9mm Pin 10-25mm Cable) (NOT SHOWN)
--	120.742423	Tig Torch dwt-17 4m Complete (NOT SHOWN)
--	INV/16	Inverter Arc Welding Kit 16mm ² (NOT SHOWN)
--	INV/TIG/2	TIG Welding Accessory Kit (NOT SHOWN)

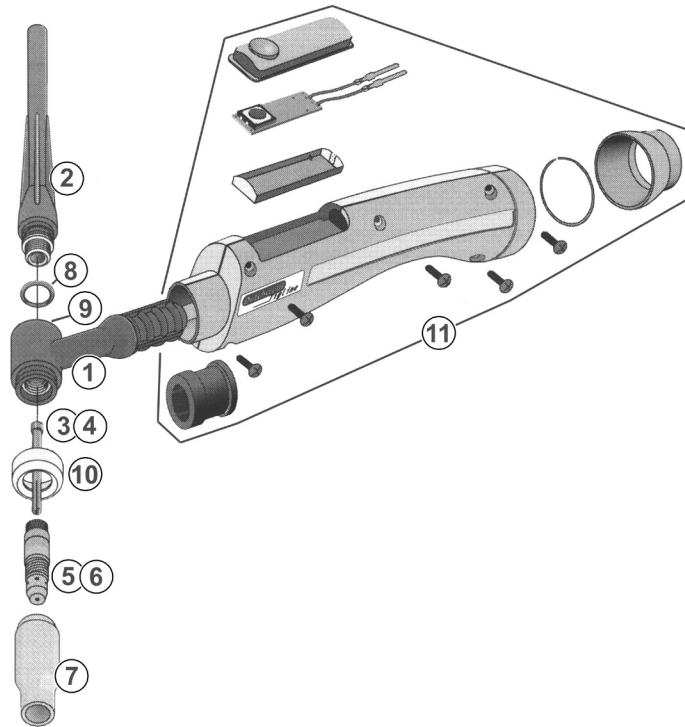
NOTE: It is our policy to continually improve products and as such we reserve the right to alter data, specifications and component parts without prior notice.

IMPORTANT: No liability is accepted for incorrect use of product.

WARRANTY: Guarantee is 12 months from purchase date, proof of which will be required for any claim.

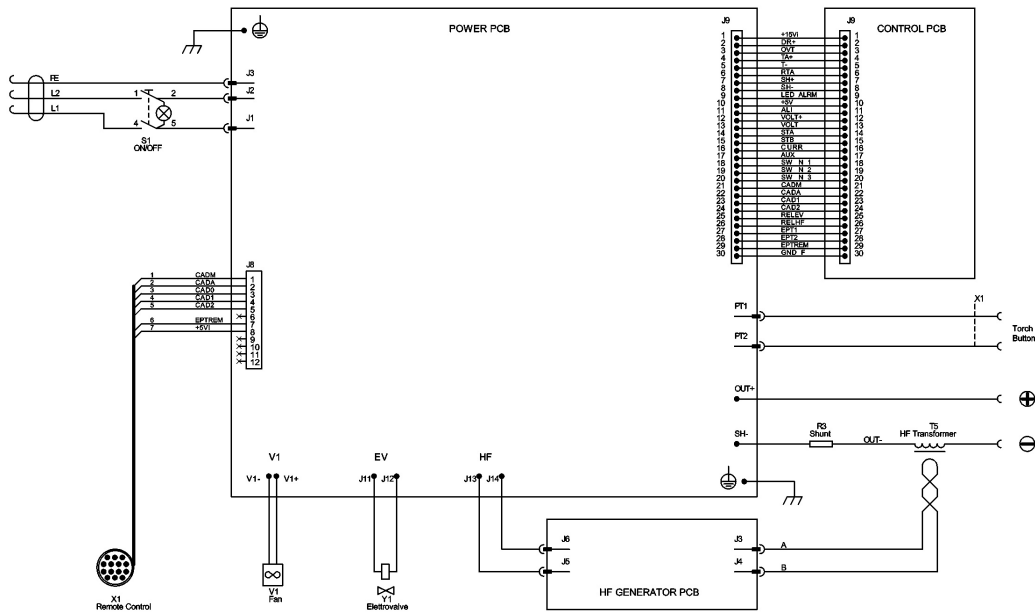


Parts Information:
TIG Inverter 130Amp DC Lift Start
Model No: TIG130HF



Item	Part No.	Description
1	168.520200	Torch Body Standard
2	168/500346	Long Black Cap
--	168/500348	Black Cap Short (NOT SHOWN)
3	168/500670	Collet 2.4mm
4	168/500666	Collet 1.6mm
5	168/500770	Collet Body 2.4mm
6	168/500766	Collet Body 1.6mm

Item	Part No.	Description
7	168/500524	Ceramic Cup 9.5mm (10n48)
8	168/500364	O-Ring
9	168/500408	Rear Head Insert
10	168/500402	Heat Shield For Collet Body
11	168/501600	Handle Complete SB
--	168/500526	Ceramic Cup 11mm(10n47) (NOT SHOWN)



NOTE: It is our policy to continually improve products and as such we reserve the right to alter data, specifications and component parts without prior notice.

IMPORTANT: No liability is accepted for incorrect use of product.

WARRANTY: Guarantee is 12 months from purchase date, proof of which will be required for any claim.

Sealey Group, Kempson Way, Suffolk Business Park, Bury St Edmunds, Suffolk. IP32 7AR



01284 757500



01284 703534



sales@sealey.co.uk



www.sealey.co.uk