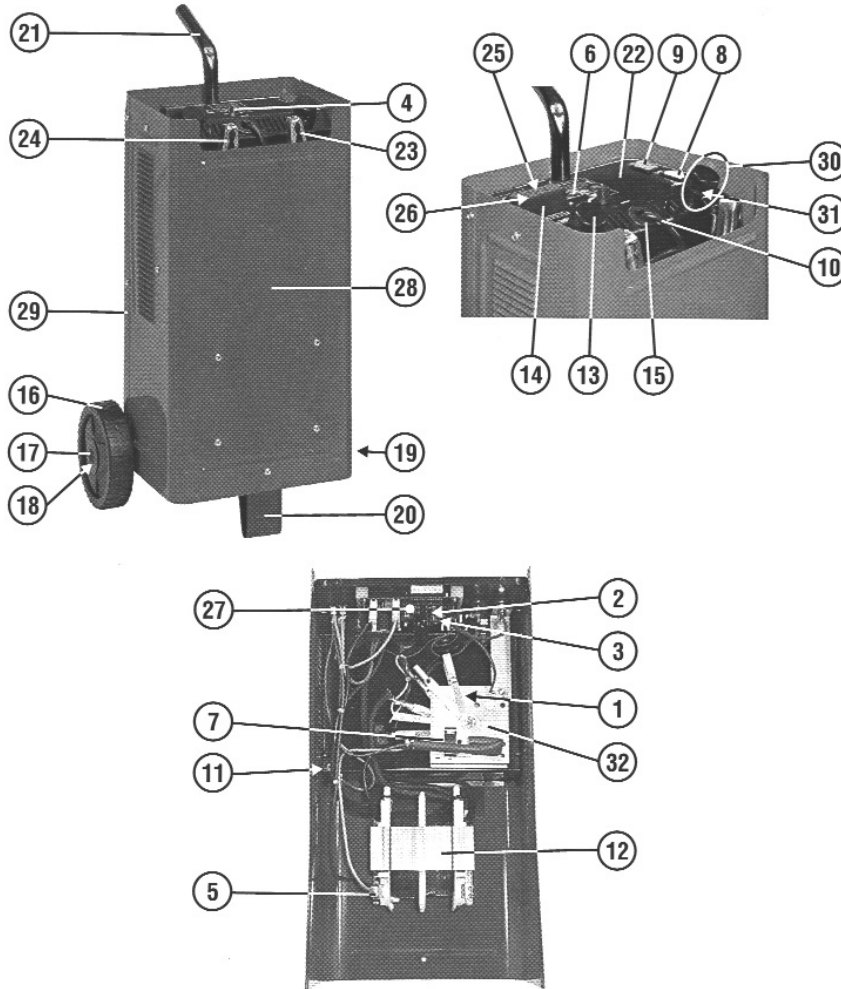




Parts Information:  
**Electronic Starter/Charger 300Amp**  
**12V/24V 230V**  
**Model No: TECSTART420**



| Item | Part No.    | Description                                  |
|------|-------------|--|
| 1    | 120.121021  | Thermostat 15a 250-400v                      |
| 2    | 120/122400  | Switch, white rocker                         |
| 3    | 120/122381  | Switch, green rocker                         |
| 4    | 120/123569  | Work clamp w/cable                           |
| 5    | 120.123581  | Clamp (pos)w/cable                           |
| 6    | MC3CX1.5    | Mains cable blk, 3 core, 1.5mm2              |
| 7    | 120.169561  | Transformer                                  |
| 8    | START560.03 | Fuse cover                                   |
| 9    | 120.322112  | Bushing                                      |
| 10   | 120.322665  | Frame  |
| 11   | 120/802258  | Fuse 30amp 10x40 for transtart180 pack of 20 |
| 12   | 120.980036  | Fuse holder (single post)                    |

| Item | Part No.   | Description   |
|------|------------|---|
| 13   | 120.980139 | Front panel kit   |
| 14   | 120.980137 | Board kit   |
| 15   | 120/990072 | Fuse terminal complete                                  |
| 16   | 120.712361 | Pincer,colorado 60b work clamp 60a                      |
| 17   | 120.712360 | Pincer, colorado 60r pos clamp up to 200amp             |
| 18   | 120/990340 | Handle  |
| 19   | 120.990774 | Rectifier kit   |
| 20   | 120.990939 | Cover kit   |
| 21   | 120.121271 | Pushbutton  |
| 22   | 120/990072 | Fuse terminal complete                                  |
| --   | 120.712360 | Pincer, colorado 60r pos clamp up to 200amp (NOT SHOWN) |

**NOTE:** It is our policy to continually improve products and as such we reserve the right to alter data, specifications and component parts without prior notice.

**IMPORTANT:** No liability is accepted for incorrect use of product.

**WARRANTY:** Guarantee is 12 months from purchase date, proof of which will be required for any claim.

**Sealey Group**, Kempson Way, Suffolk Business Park, Bury St Edmunds, Suffolk. IP32 7AR



01284 757500



01284 703534



sales@sealey.co.uk



www.sealey.co.uk