

NOTE: It is our policy to continually improve products and as such we reserve the right to alter data, specifications and component parts without prior notice. There may be alternative versions of this product, please contact us should you require this information.

IMPORTANT: No liability is accepted for incorrect use of product. Spare parts must be fitted by a competent person

WARRANTY: Guarantee is 12 months from purchase date, proof of which will be required for any claim.



Parts Information:
Tyre Changer Assist Arm for TC10
Model No: TC10A

Item	Part No.	Description
1	TC10A.01	Main Body Bracket
2	TC10A.02	Lifting Cylinder Assembly
3	TC10A.03	Guide Rail
4	TC10A.04	Mobile Carriage
5	TC10A.05	Support Arm
6	TC10A.06	Rotation Arm
7	TC10A.07	Pressure Screw
8	TC10A.08	Bead Lifting Arm
9	TC10A.09	Moveable Shaft
10	TC10A.10	Fixed Plate
11	TC10A.11	Tool Box Assembly
12	TC10A.12	Protective Cover
13	TC10A.13	Male Elbow
14	TC10A.14	Supporting Shaft
15	TC10A.15	Cylinder Cover Plate
16	TC10A.16	Guideway
17	TC10A.17	Protection Ring
18	TC10A.18	Washer
19	TC10A.19	Round Cover
20	TC10A.20	Press Block
21	TC10A.21	Rubber Cover
22	TC10A.22	Washer
23	TC10A.23	Turntable
24	TC10A.24	Shaft Connector
25	TC10A.25	Handle Valve Cover
26	TC10A.26	U-Steel
27	TC10A.27	Control Valve
28	TC10A.28	Felt Washer (30 x 20 x 10mm)
29	TC10A.29	Pad Plate
30	TC10A.30	Bottom Flat Plate
31	TC10A.31	Cone Roller Washer
32	TC10A.32	Washer

Item	Part No.	Description
33	TC10A.33	Press Cone
34	TC10A.34	Plastic Silencer
35	TC10A.35	PU Hose B 6 x 4mm
36	TC10A.36	PU Hose A 6 x 4mm
37	TC10A.37	PU Hose C 6 x 4mm
38	TC10A.38	Y-Shape Insert Fitting
39	TC10A.39	Prevailing Torque Hex Lock Nut M10
40	TC10A.40	Inner Hex Cylindrical Screw M10 x 20mm
41	TC10A.41	Inner Hex Cylindrical Screw M10 x 50mm
42	TC10A.42	Spring Washer 10mm
43	TC10A.43	Large Washer
44	TC10A.44	Shaft Retaining Ring (B-Type)
45	TC10A.45	Inner Hex Flat Set Screw M8 x 20mm
46	TC10A.46	Hex Nut M8 (Thin)
47	TC10A.47	Inner Hex Cylindrical Screw M5 x 10mm
48	TC10A.48	Shaft Retaining Ring (A-Type)
49	TC10A.49	Flat Washer
50	TC10A.50	Inner Hex Cylindrical Set Screw M10 x 20mm
51	TC10A.51	Hex Bolt M10 x 130mm
52	TC10A.52	Inner Hex Cylindrical Screw M8 x 70mm
53	TC10A.53	Inner Hex Cylindrical Screw M4 x 30mm
54	TC10A.54	Inner Hex Cylindrical Screw M10 x 25mm
55	TC10A.55	Inner Hex Cylindrical Screw M6 x 50mm
56	TC10A.56	Flat Washer
57	TC10A.57	Inner Hex Cylindrical Screw M4 x 12mm
58	TC10A.58	Hex Nut M12 (Thin)
59	TC10A.59	Threaded Knob
60	TC10A.60	Inner Hex Cylindrical Screw M6 x 30mm
61	TC10A.61	Hex Nut M6
62	TC10A.62	Threaded Knob M12 x 30mm
63	TC10A.63	Large Washer

NOTE: It is our policy to continually improve products and as such we reserve the right to alter data, specifications and component parts without prior notice. There may be alternative versions of this product, please contact us should you require this information.

IMPORTANT: No liability is accepted for incorrect use of product. Spare parts must be fitted by a competent person

WARRANTY: Guarantee is 12 months from purchase date, proof of which will be required for any claim.

Sealey Group, Kempson Way, Suffolk Business Park, Bury St Edmunds, Suffolk. IP32 7AR



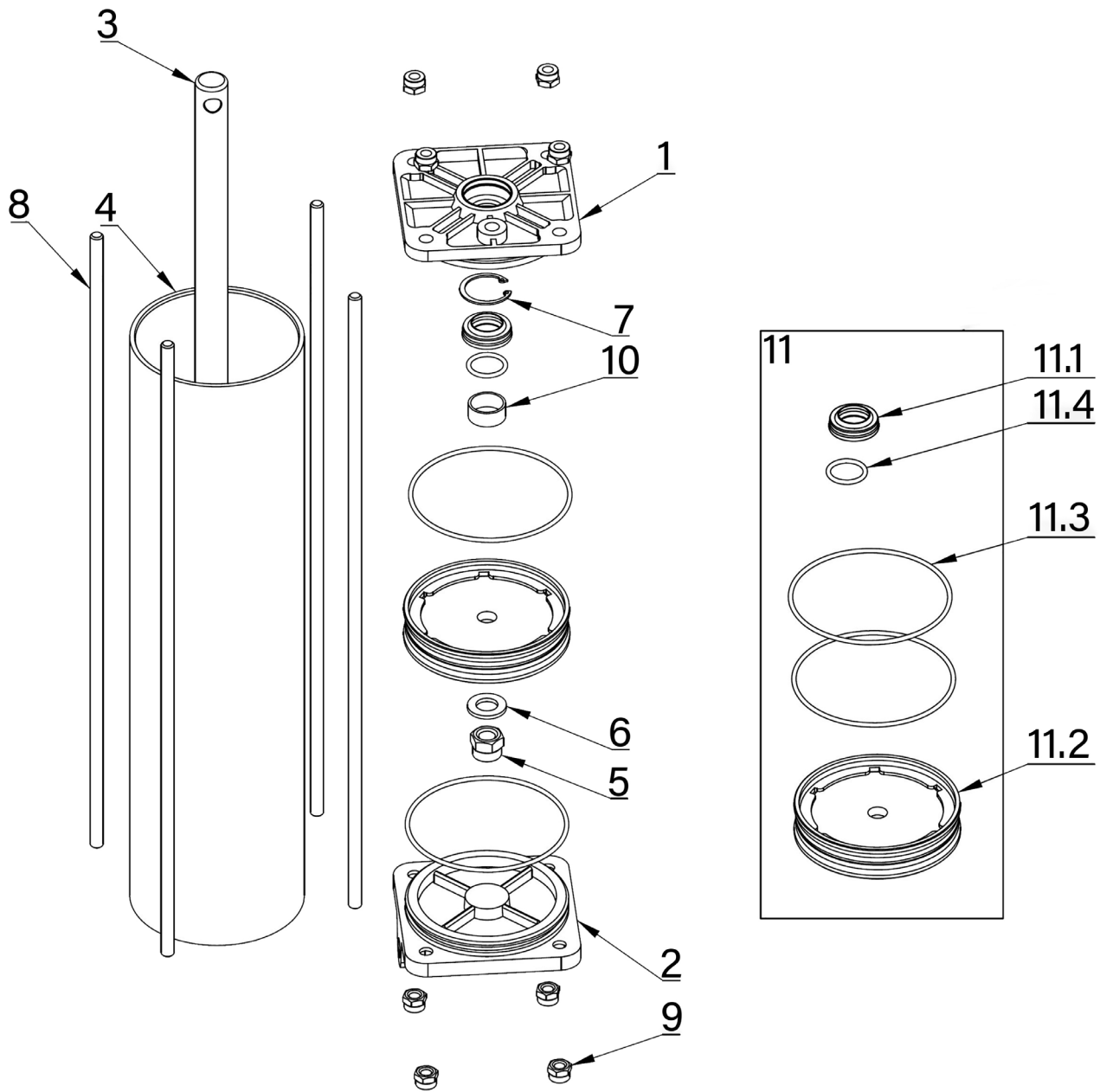
01284 757500



sales@sealey.co.uk



www.sealey.co.uk



Item	Part No.	Description
1	TC10A.02-01	Front Cover, Cylinder
2	TC10A.02-02	Rear Cover, Cylinder
3	TC10A.02-03	Piston Rod
4	TC10A.02-04	Cylinder
5	TC10A.02-05	Prevailing Torque Hex Lock Nut M12
6	TC10A.02-06	Flat Washer 12mm
7	TC10A.02-07	Retaining Ring
8	TC10A.02-08	Bolt

Item	Part No.	Description
9	TC10A.02-09	Prevailing Torque Hex Lock Nut M8
10	TC10A.02-10	Bearing Slide
11	TC10A.02-11	Seal Kit
11.1	TC10A.02-11.1	Seal Rod, Cylinder
11.2	TC10A.02-11.2	Piston
11.3	TC10A.02-11.3	O-Ring (106.51 x 101.27 x 2.62)
11.4	MT700.V2-R10	O-Ring (25.53 x 20.29 x 2.62)

NOTE: It is our policy to continually improve products and as such we reserve the right to alter data, specifications and component parts without prior notice. There may be alternative versions of this product, please contact us should you require this information.

IMPORTANT: No liability is accepted for incorrect use of product. Spare parts must be fitted by a competent person

WARRANTY: Guarantee is 12 months from purchase date, proof of which will be required for any claim.