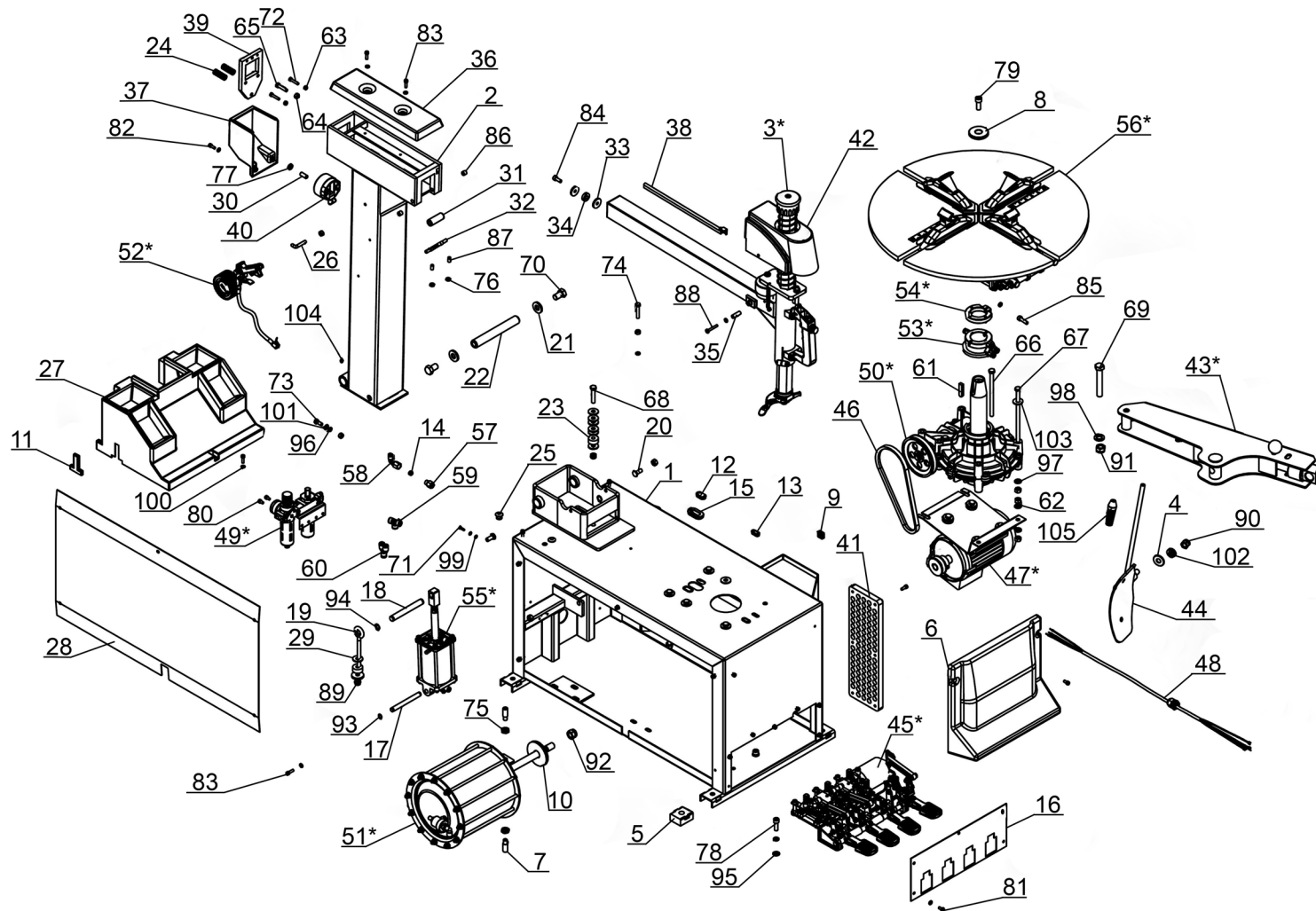




Parts Information: Automatic Tyre Changer Model No: TC10



NOTE: It is our policy to continually improve products and as such we reserve the right to alter data, specifications and component parts without prior notice.

There may be alternative versions of this product, please contact us should you require this information.

IMPORTANT: No liability is accepted for incorrect use of product. Spare parts must be fitted by a competent person

WARRANTY: Guarantee is 12 months from purchase date, proof of which will be required for any claim.

Sealey Group, Kempson Way, Suffolk Business Park, Bury St Edmunds, Suffolk. IP32 7AR



01284 757500



sales@sealey.co.uk



www.sealey.co.uk



Parts Information: Automatic Tyre Changer Model No: TC10

Item	Part No.	Description
1	TC10.01	Body
2	TC10.02	Column
3*	TC10.03	Horizontal Arm Assembly (See Separate Diagram)
4	TC10.04	Washer
5	TC10.05	Rubber Foot
6	TC10.06	Cover
7	TC10.07	Screw M14 x 42mm
8	TC10.08	Press Cover
9	TC10.09	Stop-Up
10	TC10.10	Rubber Washer
11	TC10.11	T-Plug
12	TC10.12	Plug C
13	TC10.13	Plug A
14	TC10.14	Joint Sealing Gasket
15	TC10.15	Plug B
16	TC10.16	Protective Cover
17	TC10.17	Pin Shaft
18	TC10.18	Pull-Out Shaft
19	TC10.19	Connection Rod
20	TC10.20	Bolt
21	TC10.21	Washer
22	TC10.22	Rotation Shaft
23	TC10.23	Washer
24	TC10.24	Press Spring
25	TC10.25	Stop-Up
26	TC10.26	Gun Hook
27	TC10.27	Protective Cover
28	TC10.28	Side Panel
29	TC10.29	Washer
30	TC10.30	Inner Hex Flat Screw
31	TC10.31	Rotating Spacer
32	TC10.32	Support Shaft
33	TC10.33	Cushion
34	TC10.34	Rubber Washer
35	TC10.35	Lock Bushing, Protective Hood
36	TC10.36	Protective Cover
37	TC10.37	Protective Cover
38	TC10.38	Air Hose Chute
39	TC10.39	Quadric Lock Plate
40	TC10.40	Locking Cylinder Assembly
41	TC10.41	Rim Support
42	TC10.42	Protection Cover

Item	Part No.	Description
43*	TC10.43	Bead Breaker (See Separate Diagram)
44	TC10.44	Blade, Bead Breaker
45*	TC10.45	Pedal Assembly (See Separate Diagram)
46	TC10.46	Belt A25
47*	TC10.47	Motor (See Separate Diagram)
48	TC10.48	Cable
49*	TC10.49	Air Regulator Assembly (See Separate Diagram)
50*	TC10.50	Gearbox Assembly (See Separate Diagram)
51*	TC10.51	Bead Breaker Cylinder Assembly (See Separate Diagram)
52*	TC10.52	Inflation Gun Assembly (See Separate Diagram)
53*	TC10.53	Rotation Union (See Separate Diagram)
54*	TC10.54	Clamp Ring (See Separate Diagram)
55*	TC10.55	Pull-Out Cylinder Ø80 x 80mm (See Separate Diagram)
56*	TC10.56	Turntable Assembly (See Separate Diagram)
57	TC10.57	Male Straight
58	TC10.58	Elbow (F)
59	TC10.59	Union
60	TC10.60	Y-Shape Insert Fitting
61	TC10.61	Flat Key
62	TC10.62	Hex Nut M10
63	TC10.63	Hex Nut M6
64	TC10.64	Hex Nut M8
65	TC10.65	Hex Bolt M8 x 35mm
66	TC10.66	Hex Bolt M10 x 160mm
67	TC10.67	Hex Bolt M10 x 200mm
68	TC10.68	Hex Bolt M10 x 50mm
69	TC10.69	Hex Bolt M16 x 100mm
70	TC10.70	Hex Bolt M16 x 25mm
71	TC10.71	Hex Bolt M5 x 16mm
72	TC10.72	Hex Bolt M6 x 30mm
73	TC10.73	Hex Bolt M8 x 20mm
74	TC10.74	Hex Bolt M8 x 45mm
75	TC10.75	HEX NUT M14 (THIN)
76	TC10.76	HEX NUT M8 (THIN)
77	TC10.77	HEX NUT M10 (THIN)
78	TC10.78	Inner Hex Cylindrical Screw M10 x 30mm
79	TC10.79	Inner Hex Cylindrical Screw M12 x 30mm
80	TC10.80	Inner Hex Cylindrical Screw M6 x 10mm

NOTE: It is our policy to continually improve products and as such we reserve the right to alter data, specifications and component parts without prior notice. There may be alternative versions of this product, please contact us should you require this information.

IMPORTANT: No liability is accepted for incorrect use of product. Spare parts must be fitted by a competent person

WARRANTY: Guarantee is 12 months from purchase date, proof of which will be required for any claim.

Sealey Group, Kempson Way, Suffolk Business Park, Bury St Edmunds, Suffolk. IP32 7AR



01284 757500



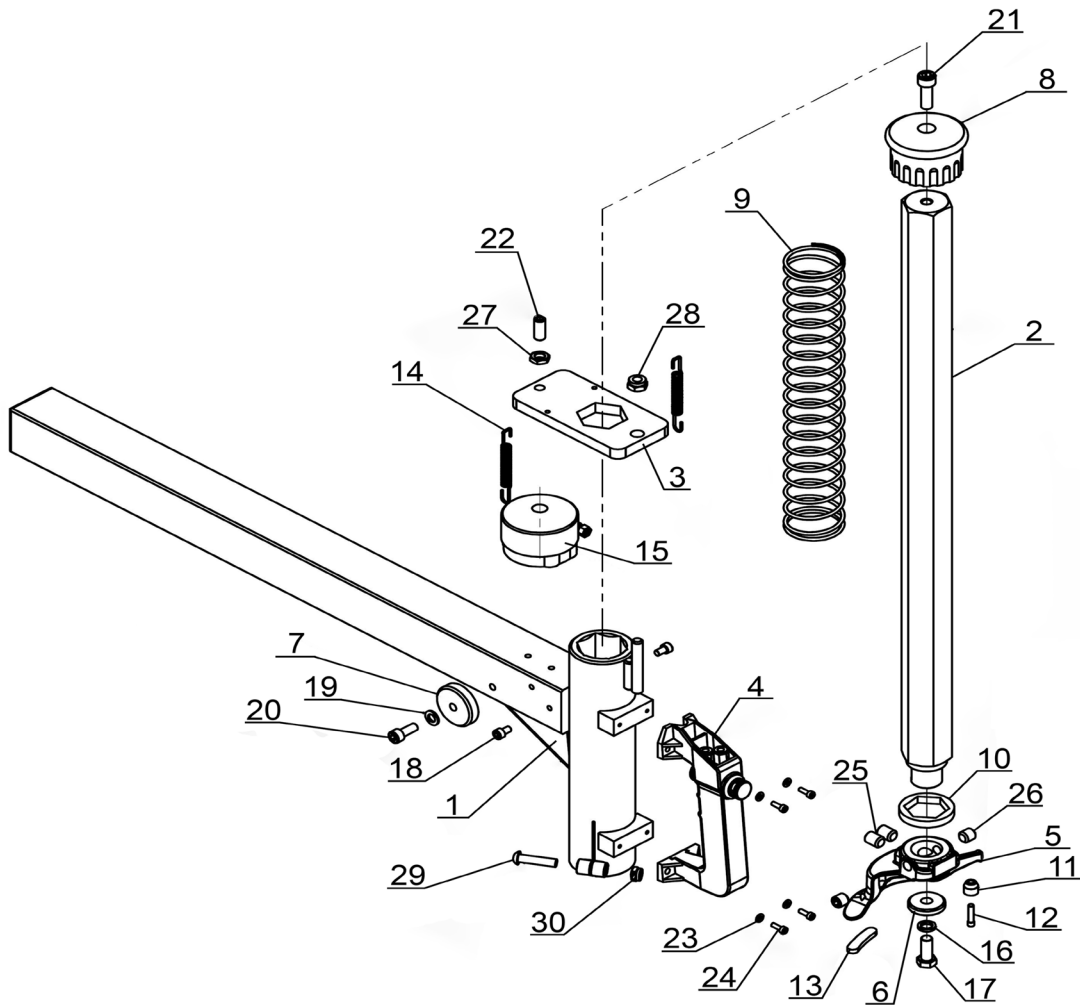
sales@sealey.co.uk



www.sealey.co.uk

Item	Part No.	Description
81	TC10.81	Inner Hex Cylindrical Screw M6 x 12mm
82	TC10.82	Inner Hex Cylindrical Screw M6 x 16mm
83	TC10.83	Inner Hex Cylindrical Screw M6 x 20mm
84	TC10.84	Inner Hex Cylindrical Screw M8 x 20mm
85	TC10.85	Inner Hex Cylindrical Screw M8 x 30mm
86	TC10.86	Inner Hex Flat Set Screw M12 x 12mm
87	TC10.87	Inner Hex Flat Set Screw M8 x 16mm
88	TC10.88	Cross Pan-Head Screw M6 x 40mm
89	TC10.89	Prevailing Torque Type Hex Lock Nut M10
90	TC10.90	Prevailing Torque Type Hex Lock Nut M14
91	TC10.91	Prevailing Torque Type Hex Lock Nut M16
92	TC10.92	Nut M18 x 1.5mm
93	TC10.93	Ring
94	TC10.94	Shaft Retaining Ring

Item	Part No.	Description
95	TC10.95	Spring Washer
96	TC10.96	Spring Washer
97	TC10.97	Flat Washer
98	TC10.98	Flat Washer
99	TC10.99	Flat Washer
100	TC10.100	Flat Washer
101	TC10.101	Flat Washer
102	TC10.102	Spring Washer
103	TC10.103	Large Washer
104	TC10.104	Oil Cup M6
105	TC10.105	Rubber Cover
--	VSTL500	Tyre Lever 500mm (Not Shown)(Please See Catalogue)



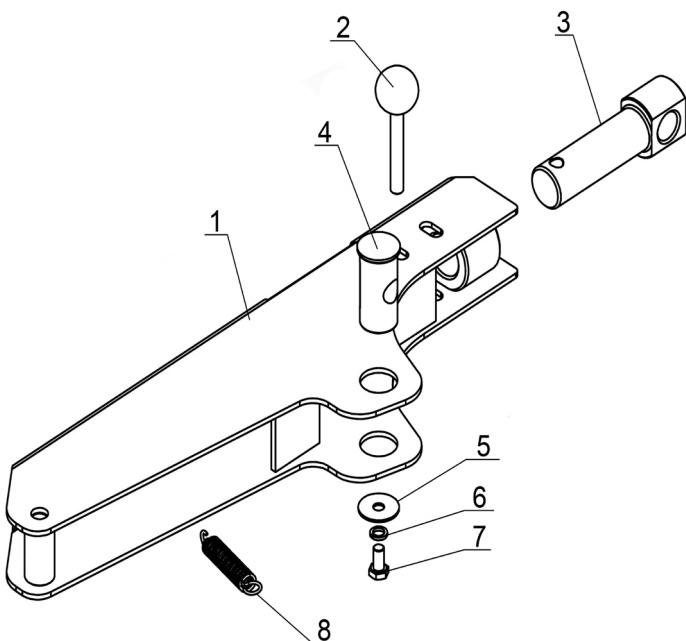
NOTE: It is our policy to continually improve products and as such we reserve the right to alter data, specifications and component parts without prior notice. There may be alternative versions of this product, please contact us should you require this information.

IMPORTANT: No liability is accepted for incorrect use of product. Spare parts must be fitted by a competent person

WARRANTY: Guarantee is 12 months from purchase date, proof of which will be required for any claim.

Item	Part No.	Description
1	TC10.03-01	Horizontal Arm
2	TC10.03-02	Hexangular Shaft
3	TC10.03-03	Hexangular Lock Plate
4	TC10.03-04	Handle Control Valve
5	TC10.03-05	Demounting Head
6	TC10.03-06	Press Washer
7	TC10.03-07	Positioning Block
8	TC10.03-08	Vertical Shaft Cover
9	TC10.03-09	Vertical Shaft Spring
10	TC10.03-10	Shock Absorder Washer
11	TC10.03-11	Roller
12	TC10.03-12	Roller Bolt
13	TC10.03-13	Tail Washer
14	TC10.03-14	Sparing
15	TC10.03-15	Locking Cylinder Assembly
16	TC10.03-16	Spring Washer

Item	Part No.	Description
17	TC10.03-17	Hex Bolt M10 x 25mm
18	TC10.03-18	Hex Cylindrical Screw M6 x 10mm
19	TC10.03-19	Flat Washer
20	TC10.03-20	Hex Cylindrical Screw M8 x 20mm
21	TC10.03-21	Hex Cylindrical Screw M10 x 30mm
22	TC10.03-22	Flat Set Screw M10 x 1 x 25mm
23	TC10.03-23	Flat Washer
24	TC10.03-24	Hex Cylindrical Screw M4 x 12mm
25	TC10.03-25	Flat Set Screw M12 x 16mm
26	TC10.03-26	Flat Set Screw M12 x 12mm
27	TC10.03-27	Hex Nut (Thin) M10 x 1.0mm
28	TC10.03-28	Prevailing Torque Hex Lock Nut M10
29	TC10.03-29	Hex Cylindrical Hex Screw M8 x 35mm
30	TC10.03-30	Prevailing Torque Hex Lock Nut M8
--	TC10.03-05A	Plastic Guard (Not Shown)

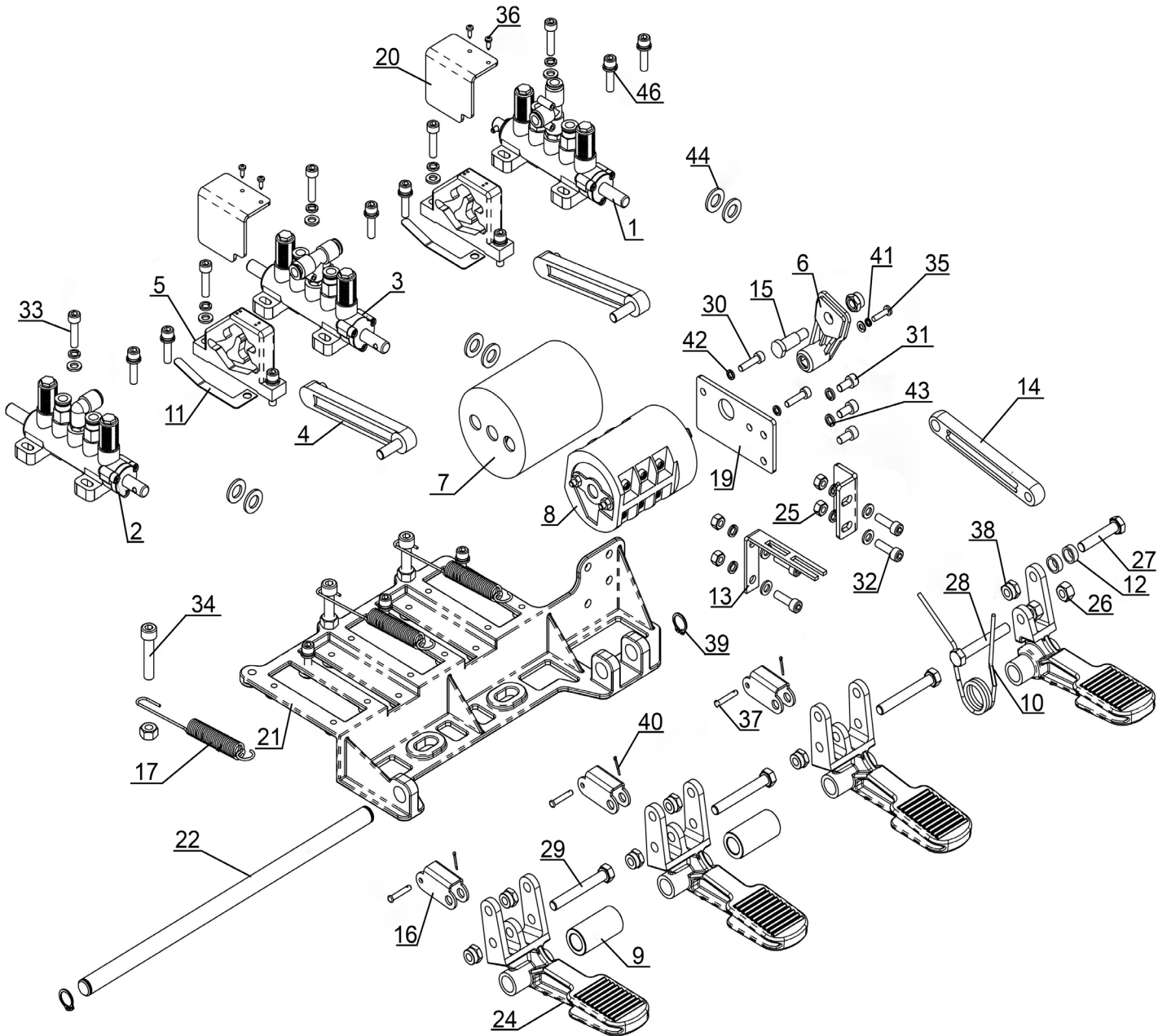


Item	Part No.	Description
1	TC10.43-01	Bead Breaker
2	TC10.43-02	Pin Shaft
3	TC10.43-03	Turn Rod
4	TC10.43-04	Connect Rod
5	TC10.43-05	Pad
6	TC10.43-06	Spring Washer
7	TC10.43-07	Hex Bolt M10 x 20mm
8	TC10.43-08	Spring

NOTE: It is our policy to continually improve products and as such we reserve the right to alter data, specifications and component parts without prior notice. There may be alternative versions of this product, please contact us should you require this information.

IMPORTANT: No liability is accepted for incorrect use of product. Spare parts must be fitted by a competent person

WARRANTY: Guarantee is 12 months from purchase date, proof of which will be required for any claim.



Item	Part No.	Description
1	TC10.45-01	Valve
2	TC10.45-02	Valve
3	TC10.45-03	Valve
4	TC10.45-04	Cam Connecting Rod
5	TC10.45-05	Cam
6	TC10.45-06	Reverse Lever

Item	Part No.	Description
7	TC10.45-07	Switch Lever
8	TC10.45-08	Switch
9	TC10.45-09	Spacer
10	TC10.45-10	Torsion Spring Ø28.3mm
11	TC10.45-11	Spring
12	TC10.45-12	Spacer

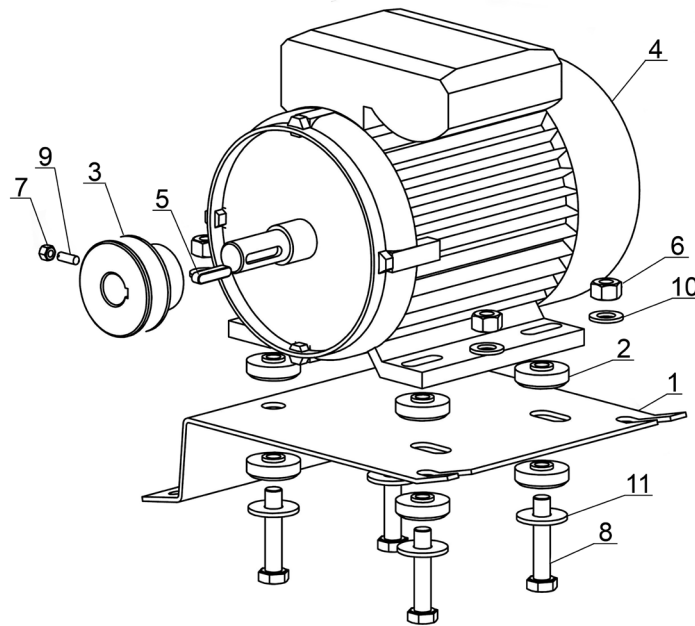
NOTE: It is our policy to continually improve products and as such we reserve the right to alter data, specifications and component parts without prior notice. There may be alternative versions of this product, please contact us should you require this information.

IMPORTANT: No liability is accepted for incorrect use of product. Spare parts must be fitted by a competent person

WARRANTY: Guarantee is 12 months from purchase date, proof of which will be required for any claim.

Item	Part No.	Description
13	TC10.45-13	Bracket, Torsion Spring
14	TC10.45-14	Connection Rod
15	TC10.45-15	Rotation Shaft
16	TC10.45-16	Connection Parts
17	TC10.45-17	Spring
18	TC10.45-18	Switch Support
19	TC10.45-19	Switch Support
20	TC10.45-20	Cam Baffle Plate
21	TC10.45-21	Pedal Support
22	TC10.45-22	Bottom Shaft
23	TC10.45-23	Pedal
24	TC10.45-24	Pedal
25	TC10.45-25	Hex Nut M6
26	TC10.45-26	Hex Nut M8
27	TC10.45-27	Hex Bolt M8 x 40mm
28	TC10.45-28	Hex Bolt M8 x 55mm
29	TC10.45-29	Hex Bolt M8 x 60mm

Item	Part No.	Description
30	TC10.45-30	Hex Cylindrical Screw M5 x 20mm
31	TC10.45-31	Hex Cylindrical Screw M6 x 12mm
32	TC10.45-32	Hex Cylindrical Screw M6 x 20mm
33	TC10.45-33	Screw
34	TC10.45-34	Hex Cylindrical Screw M8 x 40mm
35	TC10.45-35	Cross Pan-Head Screw M4 x16mm
36	TC10.45-36	Cross Pan-Head Tapping Screw ST2.9 x 9.5mm
37	TC10.45-37	Pin Shaft
38	TC10.45-38	Nut M8
39	TC10.45-39	Ring
40	TC10.45-40	Slotted Pin Ø 1.6 x 10mm
41	TC10.45-41	Spring Washer
42	TC10.45-42	Spring Washer
43	TC10.45-43	Spring Washer
44	TC10.45-44	Flat Washer
45	TC10.45-45	Flat Washer
46	TC10.45-46	Flat Washer



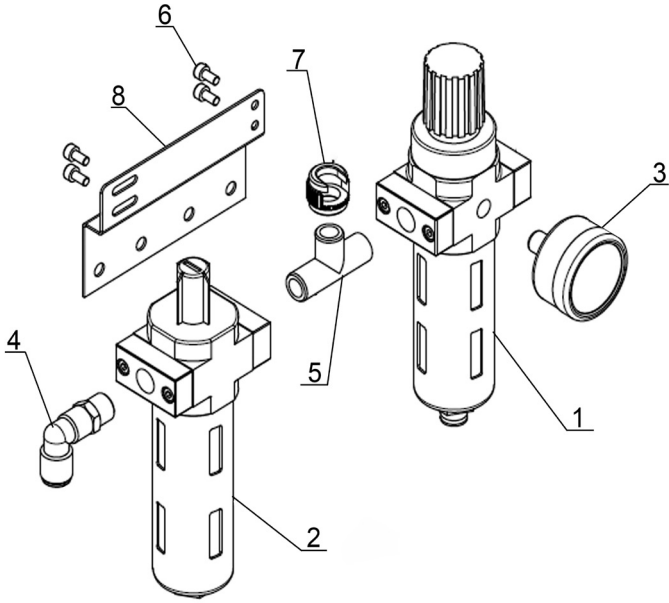
Item	Part No.	Description
1	TC10.47-01	Motor Support
2	TC10.47-02	Rubber Washer
3	TC10.47-03	Motor Belt Pulley
4	TC10.47-04	Motor 230V/60Hz/1ph 1.5HP/1.1kW
5	TC10.47-05	Key (6 x 6 x 28mm)
6	TC10.47-06	Nut M10

Item	Part No.	Description
7	TC10.47-07	Nut M5
8	TC10.47-08	Bolt M10 x 50mm
9	TC10.47-09	Screw M5 x 16mm
10	TC10.47-10	Flat Washer
11	TC10.47-11	Washer

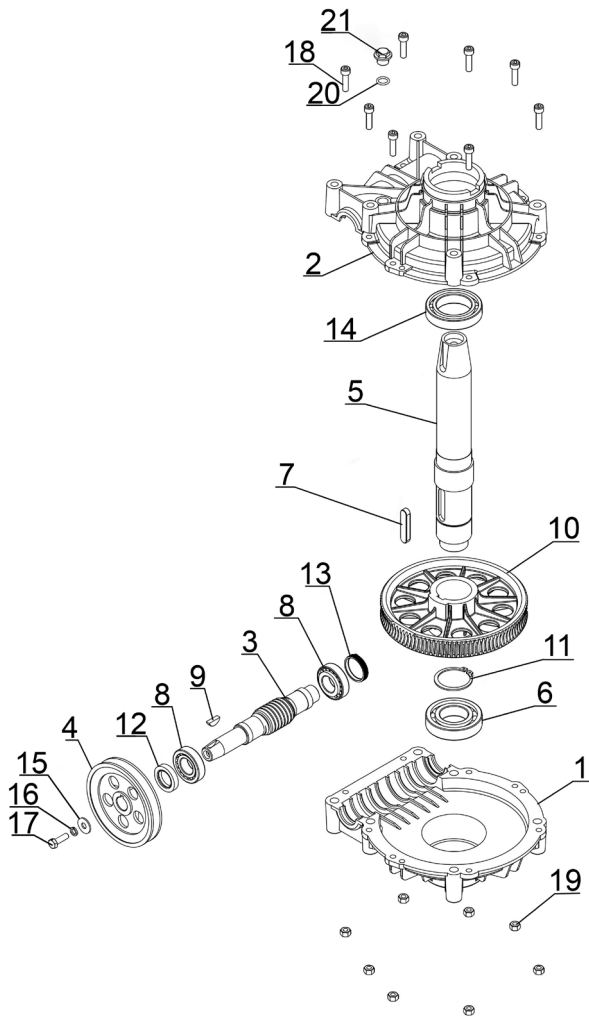
NOTE: It is our policy to continually improve products and as such we reserve the right to alter data, specifications and component parts without prior notice. There may be alternative versions of this product, please contact us should you require this information.

IMPORTANT: No liability is accepted for incorrect use of product. Spare parts must be fitted by a competent person

WARRANTY: Guarantee is 12 months from purchase date, proof of which will be required for any claim.



Item	Part No.	Description
1	TC10.49-01	Pressure Adjust Valve & Water Cup
2	TC10.49-02	Oil Cup
3	TC10.49-03	Pressure Gauge
4	TC10.49-04	Insert Elbow Ø8mm 1/4"
5	TC10.49-05	T-Shaped Union (F)
6	TC10.49-06	Hex Cylindrical Screw M4 x 8mm
7	TC10.49-07	Open Nut 1/4"
8	TC10.49-08	Bracket, Air Regulator

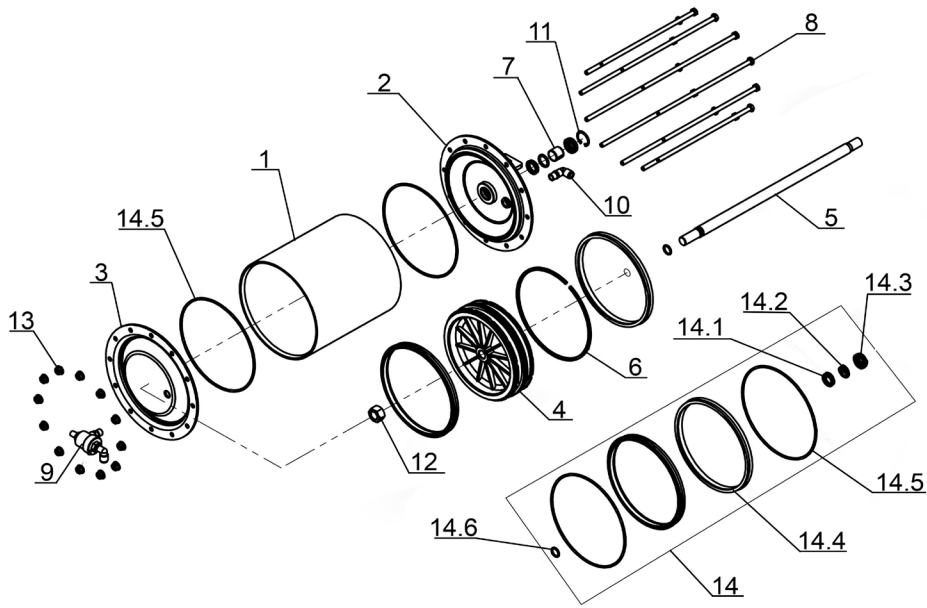


Item	Part No.	Description
1	TC10.50-01	Gearbox, Lower
2	TC10.50-02	Gearbox, Top
3	TC10.50-03	Worm Rod
4	TC10.50-04	Belt Pulley
5	TC10.50-05	Worm Shaft
6	B/6208	Bearing 6208
7	TC10.50-07	Flat Key (12 x 8 x 56mm)
8	TC10.50-08	Bearing 30205
9	TC10.50-09	Semi-Circular Key (6 x 9 x 22mm)
10	TC10.50-10	Worm
11	TC10.50-11	Retaining Ring (A-Type)
12	TC10.50-12	Sealed Ring
13	TC10.50-13	Cap
14	TC10.50-14	Ball Bearing
15	TC10.50-15	Large Washer
16	TC10.50-16	Spring Washer
17	TC10.50-17	Hex Bolt M8 x 25mm
18	TC10.50-18	Hex Cylindrical Screw M8 x 30mm
19	TC10.50-19	Hex Nut M8
20	TC10.50-20	O-Ring (13.2 x 2.65mm)
21	TC10.50-21	Bolt

NOTE: It is our policy to continually improve products and as such we reserve the right to alter data, specifications and component parts without prior notice. There may be alternative versions of this product, please contact us should you require this information.

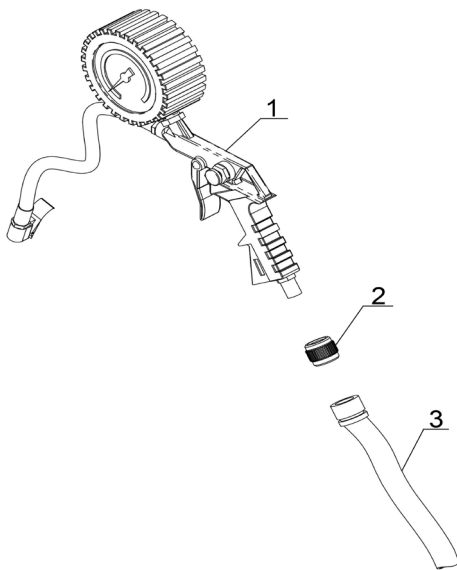
IMPORTANT: No liability is accepted for incorrect use of product. Spare parts must be fitted by a competent person

WARRANTY: Guarantee is 12 months from purchase date, proof of which will be required for any claim.



Item	Part No.	Description
1	TC10.51-01	Cylinder Block
2	TC10.51-02	Cylinder Cover
3	TC10.51-03	Cylinder Cover
4	TC10.51-04	Piston
5	TC10.51-05	Cylinder Piston Rod
6	TC10.51-06	Clamp Ring
7	TC10.51-07	Bearing
8	TC10.51-08	Cylinder Bolt
9	TC10.51-09	Quick Deflation Valve
10	TC10.51-10	Insert Elbow Ø8mm 1/4"

Item	Part No.	Description
11	TC10.51-11	Retaining Ring
12	TC10.51-12	Nut M18 x 1.5mm
13	TC10.51-13	Hex Flange Nut M8
14	TC10.51-14	Cylinder Sealing Assembly
14.1	TC10.51-15	Sealing Ring
14.2	TC10.51-16	O-Ring (20 x 3.55mm)
14.3	TC10.51-17	Seal Rod, Cylinder
14.4	TC10.51-18	Y-Ring
14.5	TC10.51-19	O-Ring (195 x 3.55mm)
14.6	TC10.51-20	O-Ring (15.5 x 2.65mm)

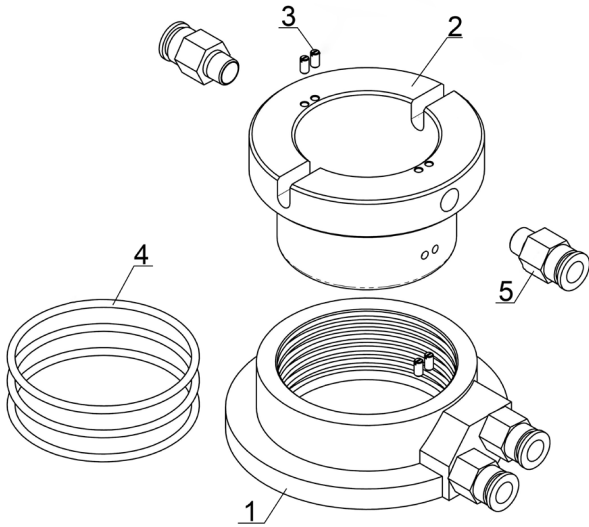


Item	Part No.	Description
1	TC10.52-01	Open Nut 1/4"
2	TC10.52-02	Inflating Gun
3	TC10.52-03	Inflation Hose

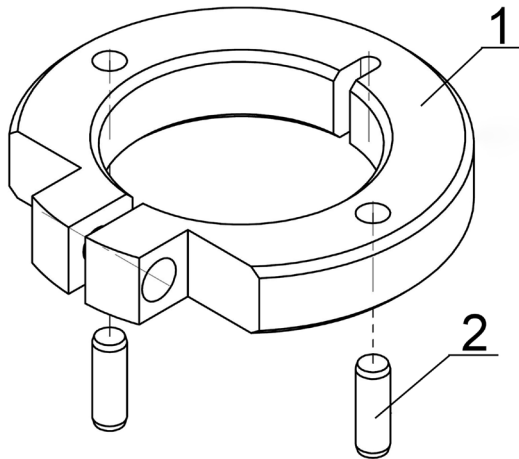
NOTE: It is our policy to continually improve products and as such we reserve the right to alter data, specifications and component parts without prior notice. There may be alternative versions of this product, please contact us should you require this information.

IMPORTANT: No liability is accepted for incorrect use of product. Spare parts must be fitted by a competent person

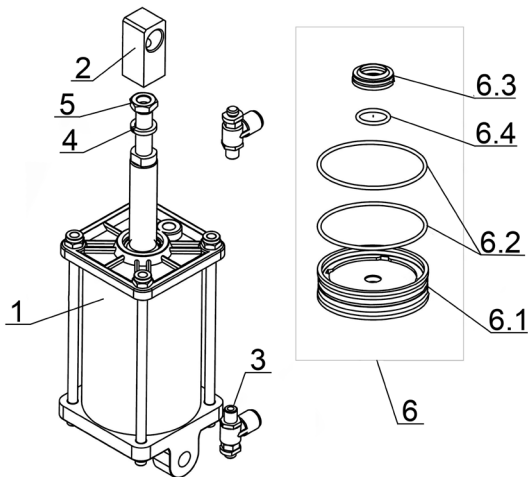
WARRANTY: Guarantee is 12 months from purchase date, proof of which will be required for any claim.



Item	Part No.	Description
1	TC10.53-01	Air Guide, External
2	TC10.53-02	Air Guide Rotation
3	TC10.53-03	Screw M3 x 6mm
4	TC10.53-04	O-Ring (60 x 2.65mm)
5	TC10.53-05	Straight Adaptor (M)



Item	Part No.	Description
1	TC10.54-01	Block Ring
2	TC10.54-02	Cylindrical Pin

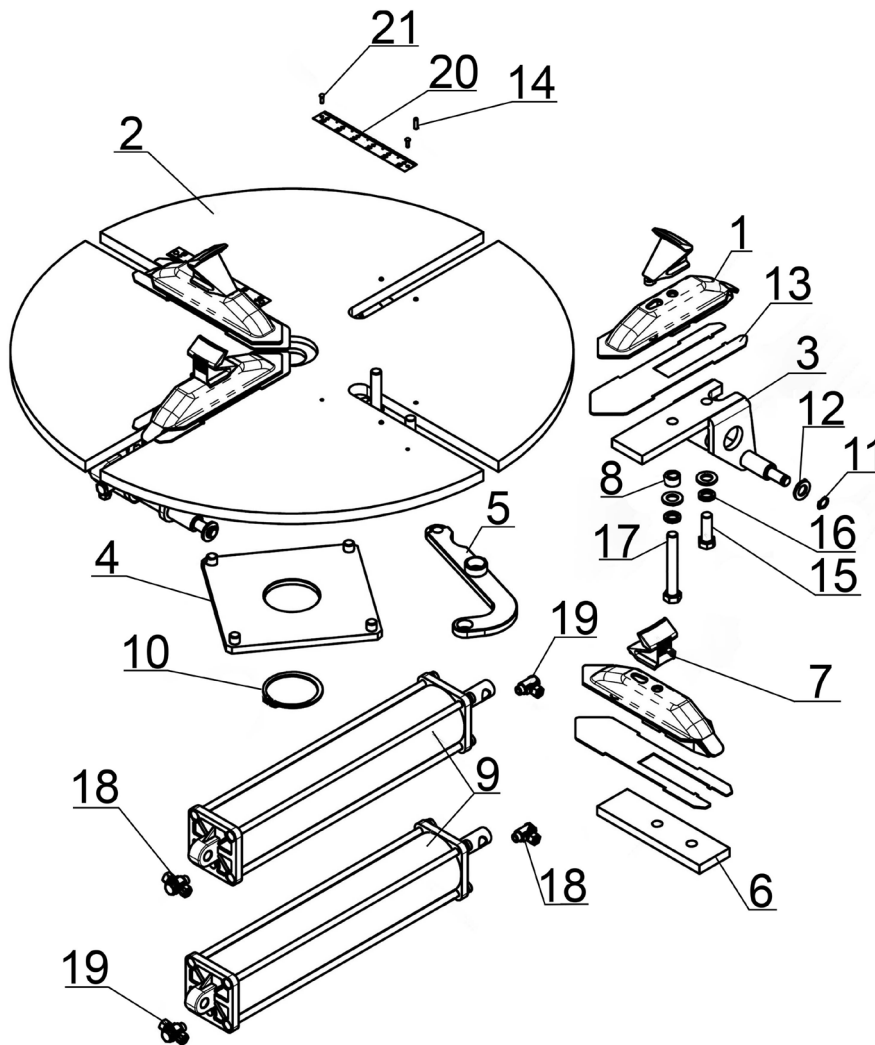


Item	Part No.	Description
1	TC10.55-01	Cylinder Assembly
2	TC10.55-02	Shaft Connector
3	TC10.55-03	Elbow Speed Controller
4	TC10.55-04	Spring Washer
5	TC10.55-05	Hex Nut (Thin) M12
6	TC10.55-06	Cylinder Sealing Assembly
6.1	TC10.55-07	Piston
6.2	TC10.55-08	O-Ring (75 x 2.65mm)
6.3	TC10.55-09	Seal Rod, Cylinder
6.4	TC10.55-10	O-Ring (20 x 2.65mm)

NOTE: It is our policy to continually improve products and as such we reserve the right to alter data, specifications and component parts without prior notice. There may be alternative versions of this product, please contact us should you require this information.

IMPORTANT: No liability is accepted for incorrect use of product. Spare parts must be fitted by a competent person

WARRANTY: Guarantee is 12 months from purchase date, proof of which will be required for any claim.



Item	Part No.	Description
1	TC10.56-01	Slide Cover
2	TC10.56-02	Turntable
3	TC10.56-03	Bracket, Cylinder
4	TC10.56-04	Square Turntable
5	TC10.56-05	Connection Plate
6	TC10.56-06	Press Board
7	TC10.56-07	Clamp
8	TC10.56-08	Spacer
9	TC10.56-09	Cylinder assembly
10	TC10.56-10	Ring
11	TC10.56-11	Ring

Item	Part No.	Description
12	TC10.56-12	Flat Washer
13	TC10.56-13	Spacer
14	TC10.56-14	Pin
15	TC10.56-15	Bolt M12 x 35mm
16	TC10.56-16	Washer
17	TC10.56-17	bolt M12 x 85mm
18	TC10.56-18	Hinge Elbow
19	TC10.56-19	Hinge Elbow
20	TC10.56-20	Scale
21	TC10.56-21	Rivet, Label

NOTE: It is our policy to continually improve products and as such we reserve the right to alter data, specifications and component parts without prior notice. There may be alternative versions of this product, please contact us should you require this information.

IMPORTANT: No liability is accepted for incorrect use of product. Spare parts must be fitted by a competent person

WARRANTY: Guarantee is 12 months from purchase date, proof of which will be required for any claim.