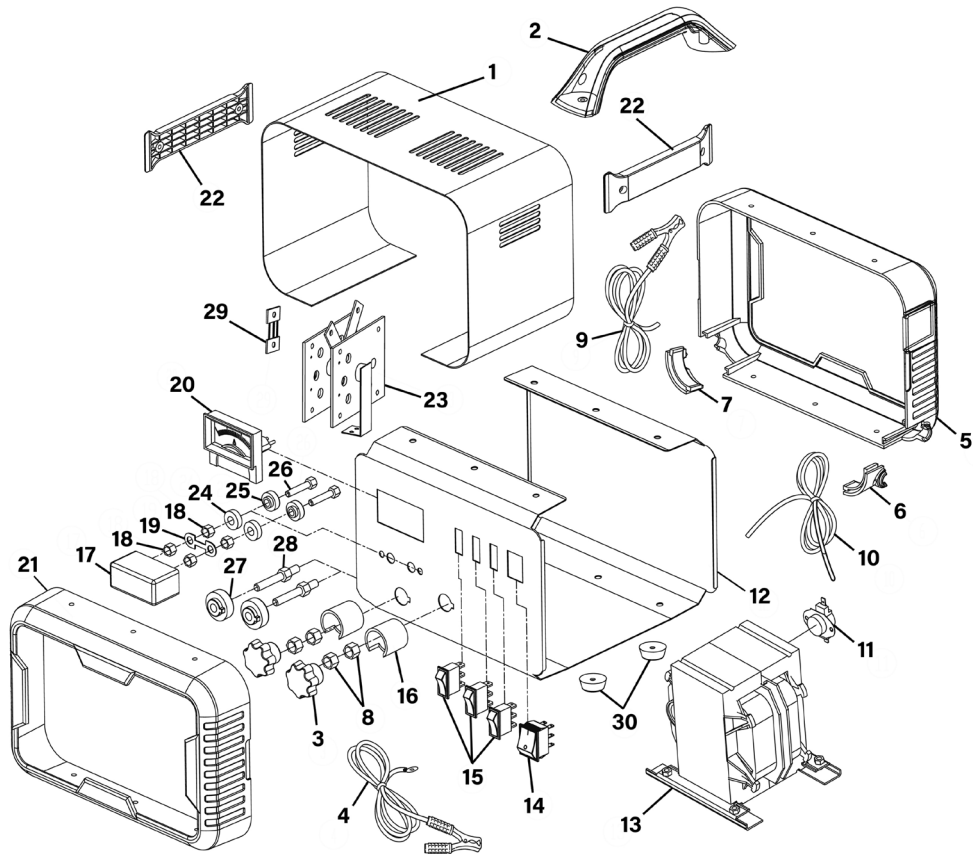




Parts Information:  
**Starter/Charger Various Amp 230V**  
**Model No: SUPERBOOST SERIES**



Item	Part No.	Description
1	SBOOST200V401	TOP COVER
2	SBOOST200V402	HANDLE, TOP COVER
3	SBOOST200V403	TERMINAL KNOB
4	SBOOST200V404	POSITIVE CABLE WITH CLAMP
5	SBOOST200V405	BACK COVER (PLASTIC)
6	SBOOST200V406	CABLE PROTECTOR, RIGHT
7	SBOOST200V407	CABLE PROTECTOR, LEFT
8	SN8.S	STEEL NUT M8 ZINC DIN934 (SINGLE)
9	SBOOST200V409	NEGATIVE CABLE WITH CLAMP
10	SBOOST160V510	POWER CORD (FOR SUPERBOOST140.V4 & SUPERBOOST160.V5 only)
10	SBOOST200V410	POWER CORD (FOR SUPERBOOST180.V5 & SUPERBOOST200.V4 only)
11	SBOOST140V411	THERMOSTAT (FOR SUPERBOOST140.V4 only)
11	SBOOST160V511	THERMOSTAT (FOR SUPERBOOST160.V5 only)
11	SBOOST180V511	THERMOSTAT (FOR SUPERBOOST180.V5 only)
11	SBOOST200V411	THERMOSTAT (FOR SUPERBOOST200.V5 only)
12	SBOOST200V412	BOTTOM PANEL
13	SBOOST140V413	TRANSFORMER (FOR SUPERBOOST140.V4 only)
13	SBOOST160V513	TRANSFORMER (FOR SUPERBOOST160.V4 only)
13	SBOOST180V513	TRANSFORMER (FOR SUPERBOOST180.V5 only)

Item	Part No.	Description
13	SBOOST200V413	TRANSFORMER (FOR SUPERBOOST200.V4 only)
14	SBOOST200V414	POWER SWITCH
15	SBOOST200V415	SELECTOR SWITCH
16	SBOOST200V416	TERMINAL PROTECTION COVER
17	SBOOST200V417	FUSE COVER
18	SN6.S	STEEL NUT M6 ZINC DIN934 (SINGLE)
20	SBOOST200V420	AMMETER
21	SBOOST200V421	FRONT COVER (PLASTIC)
22	SBOOST200V422	SIDE GRIP
23	SBOOST160V523	RECTIFIER (FOR SUPERBOOST140.V4 & SUPERBOOST160.V5 only)
23	SBOOST200V423	RECTIFIER (FOR SUPERBOOST180.V5 & SUPERBOOST200.V4 only)
24	SBOOST200V424	INSULATING WASHER (B)
25	SBOOST200V425	INSULATING WASHER (A)
26	SBOOST200V426	INSULATING BOLT
27	SBOOST200V427	INSULATING PLATE
28	SBOOST200V428	TERMINAL BOLT M8
29	SBOOST200V429	SHUNT
30	SBOOST200V430	FOOT

**NOTE:** It is our policy to continually improve products and as such we reserve the right to alter data, specifications and component parts without prior notice. There may be alternative versions of this product, please contact us should you require this information.

**IMPORTANT:** No liability is accepted for incorrect use of product. Spare parts must be fitted by a competent person

**WARRANTY:** Guarantee is 12 months from purchase date, proof of which will be required for any claim.

Sealey Group, Kempson Way, Suffolk Business Park, Bury St Edmunds, Suffolk. IP32 7AR



01284 757500



sales@sealey.co.uk



www.sealey.co.uk