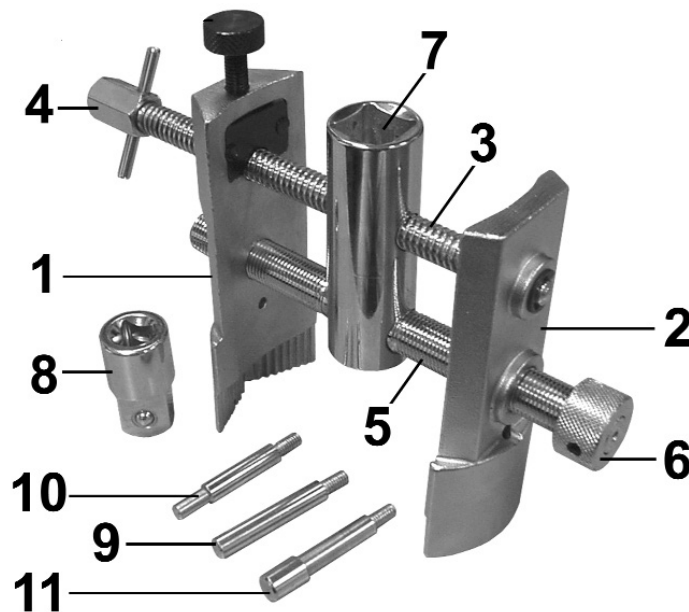




Parts Information:
Adjustable Wheel Bearing Lock Nut Tool
Model No: SX250



Item	Part No.	Description
1	SX250.01	No.01 Jaw
2	SX250.02	No.02 Jaw
3	SX250.03	Thread
4	SX250.04	Hexagon Driver And Pin
5	SX250.05	Thread
6	SX250.06	Rotator

Item	Part No.	Description
7	SX250.07	3/4" Adaptor
8	SX250.08	1/2"F x3/4"M Adaptor
9	SX250.09	8mm Pin Piece
10	SX250.10	6mm Pin Piece
11	SX250.11	10mm Pin Piece

NOTE: It is our policy to continually improve products and as such we reserve the right to alter data, specifications and component parts without prior notice.

IMPORTANT: No liability is accepted for incorrect use of product.

WARRANTY: Guarantee is 12 months from purchase date, proof of which will be required for any claim.

Sealey Group, Kempson Way, Suffolk Business Park, Bury St Edmunds, Suffolk. IP32 7AR



01284 757500



01284 703534



sales@sealey.co.uk



www.sealey.co.uk