

TROUBLESHOOTING

a. The thermal circuit breaker cuts in as the motor has overheated.	1. The water level is too low 2. Intake blocked, impeller jammed. 3. Temperature of inlet water exceeds 35°C	1. Sink the pump deeper, or allow to cool before continuing use. 2. Check and clean. 3. Reduce water temperature. Allow the circuit breaker to cool for approx 25mins before restarting.
b. Motor operates but there is no suction.	4. Water level below min suction depth. 5. Air bubbles in pump accumulated during submersion, or because float is incorrectly positioned so pump does not stop at min level and sucks in air. 6. Clogged intake filter or discharge pipe	4. Stop the pump. 5. Release air by inclining the pump and re-immersing it in water. 6. Remove dirt, and clean the unit.
c. Reduced water volume for level of water	7. Discharge pipe bent, or pinched. 8. Discharge pipe too narrow. 9. Pump partially blocked.	7. Straighten pipe 8. Use wider diameter pipe. 9. Clean pump.
d. The pump will not start or suddenly stops during operation.	10. No electrical power. 11. Float not working 12. Circuit breaker has triggered. 13. Impeller is jammed.	10. Check cable, plug and fuse. 11. Contact authorised service agent. 12. See (a) above. 13. Clean the pump.

Declaration of Conformity

We, the sole importer into the UK, declare that the products listed below are in conformity with the following EEC standards and directives

SUBMERSIBLE WATER PUMP
Models: SWP20, SWP20A.
73/23/EEC Low Voltage Directive
89/336/EEC EMC Directive
BSEN 60335-2-41



The construction file for these products are held by the Manufacturer and may be inspected, by a national authority, upon request to Jack Sealey Ltd.

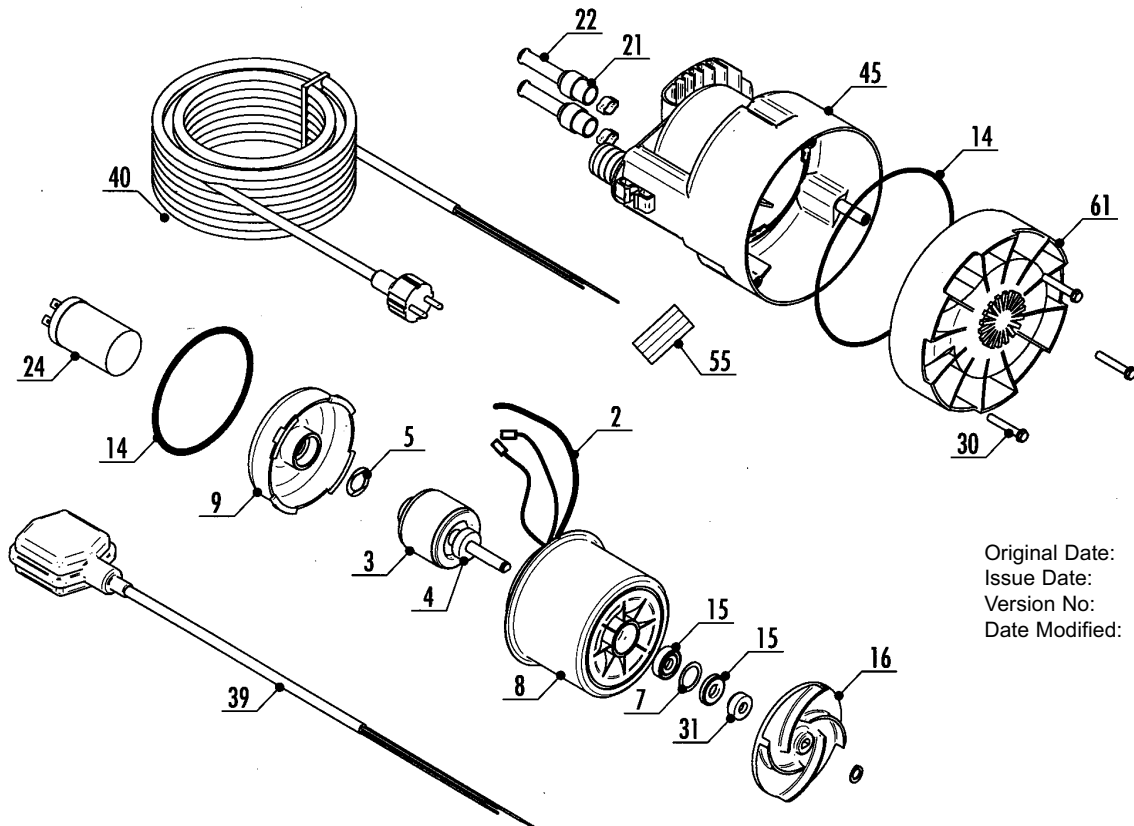
Signed by Mark Sweetman

7th August 2000

For Jack Sealey Ltd.
Sole importer into the UK
of Sealey Power Products.



INSTRUCTIONS FOR: WATER PUMP MODELS: SWP20, SWP20A



Original Date:
Issue Date:
Version No:
Date Modified:

Model SWP20

Item	Part No	Description
1	EL20004	BEARING
2	EL20007	OIL SEAL
3	EL10016	IMPELLER
4	EL10019	SUBMERSIBLE PUMP BODY
5	EL20024	CAPACITOR
6	EL10040	H 07 RNF CABLE SCHUKO PLUG
7	EL20061	ASPIRATION BASE
8	EL5001C	COMPLETE MOTOR
9	EL2014C	OR SEAL 129,40x1,78

Model SWP20A

Item	Part No	Description
1	EL20004	BEARING
2	EL20007	OIL SEAL
3	EL10016	IMPELLER
4	EL10019	SUBMERSIBLE PUMP BODY
5	EL20024	CAPACITOR
6	EL10039	FLOAT SWITCH
7	EL10040	H 07 RNF CABLE SCHUKO PLUG
8	EL10061	ASPIRATION BASE
9	EL1001C	MOTOR
10	EL2014C	OR SEAL 129,40x1,78

NOTE: It is our policy to continually improve products and as such we reserve the right to alter data, specifications and component parts without prior notice.
IMPORTANT: No liability is accepted for incorrect use of product. **WARRANTY:** Guarantee is 12 months from purchase date, proof of which will be required for any claim. **INFORMATION:** Call us for a copy of our latest catalogue and promotions on 01284 757525 and leave your full name and address including postcode.

SEALEY POWER PRODUCTS Sole UK Distributor,
Sealey Group, Bury St. Edmunds, Suffolk.

01284 757500

01284 703534

sales@sealey.co.uk

www.sealey.co.uk