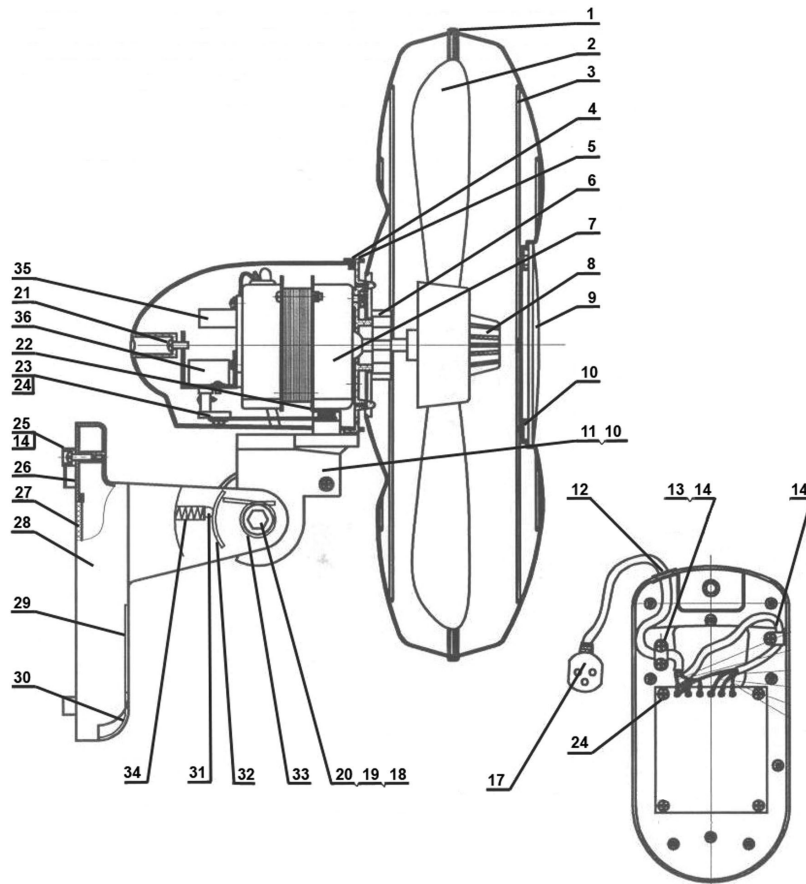




Parts Information:  
**Wall Fan 3-Speed 16" with Remote Control**  
**230V**  
**Model No: SWF16WR.V3**



Item	Part No.	Description
1	SWF16WR.V2-01	PLASTIC GUARD RING
2	SWF16WR.V2-02	BLADE 16"
3	SWF16WR.V2-03	COMPLETE GUARD
4	SWF16WR.V2-04	PLATE
5	SWF16WR.V2-05	COVER
6	SWF16WR.V2-06	FRONT GUARD NUT (PLASTIC)
7	SWF16WR.V3-07	MOTOR
8	SWF16WR.V2-08	PLASTIC BLADE NUT
9	SWF16WR.V2-09	LOGO FRONT CASE
10	SWF16WR.V2-10	SCREW
11	SWF16WR.V2-11	CONNECTOR
12	SWF16WR.V2-12	CORD PROTECTOR
13	SWF16WR.V2-13	CORD GRIP
14	SWF16WR.V2-14	SCREW
17	SWF16WR.V2-17	POWER CORD
18	SWF16WR.V2-18	NUT
19	SWF16WR.V2-19	SCREW
20	SWF16WR.V2-20	COVER
21	MSP48.S	MACHINE SCREW PAN HEAD PHILLIPS M4x8mm

Item	Part No.	Description
22	SWF16WR.V2-22	WASHER
23	SWF16WR.V2-23	ARM
24	SWF16WR.V2-24	SCREW
25	SWF16WR.V2-25	RUBBER FOOT
26	SWF16WR.V2-26	COVER
27	SWF16WR.V2-27	PLASTIC COVER
28	SWF16WR.V2-28	BASE
29	SWF16WR.V2-29	DECORATION PANEL
30	SWF16WR.V2-30	LIGHT PANEL
31	SWF16WR.V2-31	HANDLE & SPRING ASS'Y
32	SWF16WR.V2-32	ADJUSTING PLATE
33	SWF16WR.V2-33	SPRING
34	SWF16WR.V2-31	HANDLE & SPRING ASS'Y
35	SWF16WR.V2-35	CAPACITOR
--	SWF16WR.V2-37	SECURITY SCREW (NOT SHOWN)
--	SWF16WR.V2-38	WALL BRACKET (NOT SHOWN)
--	SWF16WR.V2-RC	REMOTE CONTROL (NOT SHOWN)

**NOTE:** It is our policy to continually improve products and as such we reserve the right to alter data, specifications and component parts without prior notice.

**IMPORTANT:** No liability is accepted for incorrect use of product.

**WARRANTY:** Guarantee is 12 months from purchase date, proof of which will be required for any claim.

**Sealey Group**, Kempson Way, Suffolk Business Park, Bury St Edmunds, Suffolk. IP32 7AR



01284 757500



01284 703534



sales@sealey.co.uk



www.sealey.co.uk