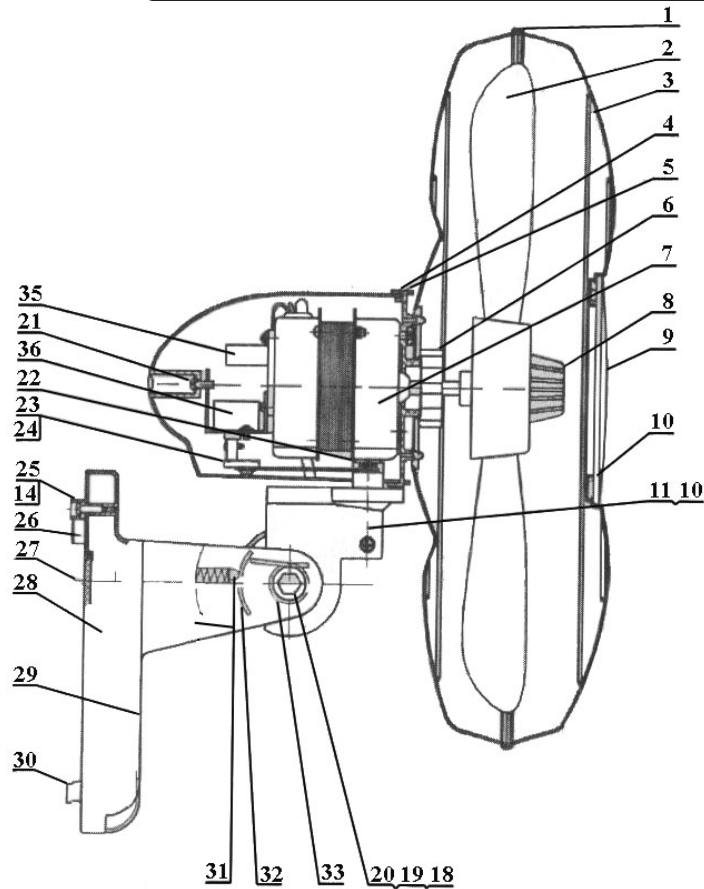




Parts Information:
Wall Fan 3-Speed 16" with Remote Control
230V
Model No: SWF16WR.V2



Item	Part No.	Description
1	SWF16WR.V2-01	PLASTIC GUARD RING
2	SWF16WR.V2-02	BLADE 16"
3	SWF16WR.V2-03	COMPLETE GUARD
4	SWF16WR.V2-04	PLATE
5	SWF16WR.V2-05	COVER
6	SWF16WR.V2-06	FRONT GUARD NUT (PLASTIC)
7	SWF16WR.V2-07	MOTOR
8	SWF16WR.V2-08	PLASTIC BLADE NUT
9	SWF16WR.V2-09	LOGO FRONT CASE
10	SWF16WR.V2-10	SCREW
11	SWF16WR.V2-11	CONNECTOR
--	SWF16WR.V2-12	CORD PROTECTOR (NOT SHOWN)
--	SWF16WR.V2-13	CORD GRIP (NOT SHOWN)
--	SWF16WR.V2-14	RD HEAD S/T SCREW M3.8 X 12 (NOT SHOWN)
--	SWF16WR.V2-17	POWER CORD (NOT SHOWN)
18	SWF16WR.V2-18	NUT
19	SWF16WR.V2-19	SCREW
20	SWF16WR.V2-20	COVER
21	MSP48.S	MACHINE SCREW PAN HEAD PHILLIPS M4x8mm

Item	Part No.	Description
22	SWF16WR.V2-22	WASHER
23	SWF16WR.V2-23	ARM
24	SWF16WR.V2-24	RD HEAD S/T SCREW M3.8 X 10
25	SWF16WR.V2-25	RUBBER FOOT
26	SWF16WR.V2-26	COVER
27	SWF16WR.V2-27	PLASTIC COVER
28	SWF16WR.V2-28	BASE
29	SWF16WR.V2-29	DECORATION PANEL
30	SWF16WR.V2-30	LIGHT PANEL
31	SWF16WR.V2-31	HANDLE & SPRING ASS'Y
32	SWF16WR.V2-32	ADJUSTING PLATE
33	SWF16WR.V2-33	SPRING
341	SWF16WR.V2-31	HANDLE & SPRING ASS'Y
35	SWF16WR.V2-35	CAPACITOR
36	SWF16WR.V2-36	MOTOR, SYNCHRO SWING
--	SWF16WR.V2-RC	REMOTE CONTROL (NOT SHOWN)
--	SWF16WR.V2-37	SECURITY SCREW (NOT SHOWN)
--	SWF16WR.V2-38	WALL BRACKET (NOT SHOWN)

NOTE: It is our policy to continually improve products and as such we reserve the right to alter data, specifications and component parts without prior notice.

IMPORTANT: No liability is accepted for incorrect use of product.

WARRANTY: Guarantee is 12 months from purchase date, proof of which will be required for any claim.

Sealey Group, Kempson Way, Suffolk Business Park, Bury St Edmunds, Suffolk. IP32 7AR



01284 757500



01284 703534



sales@sealey.co.uk



www.sealey.co.uk