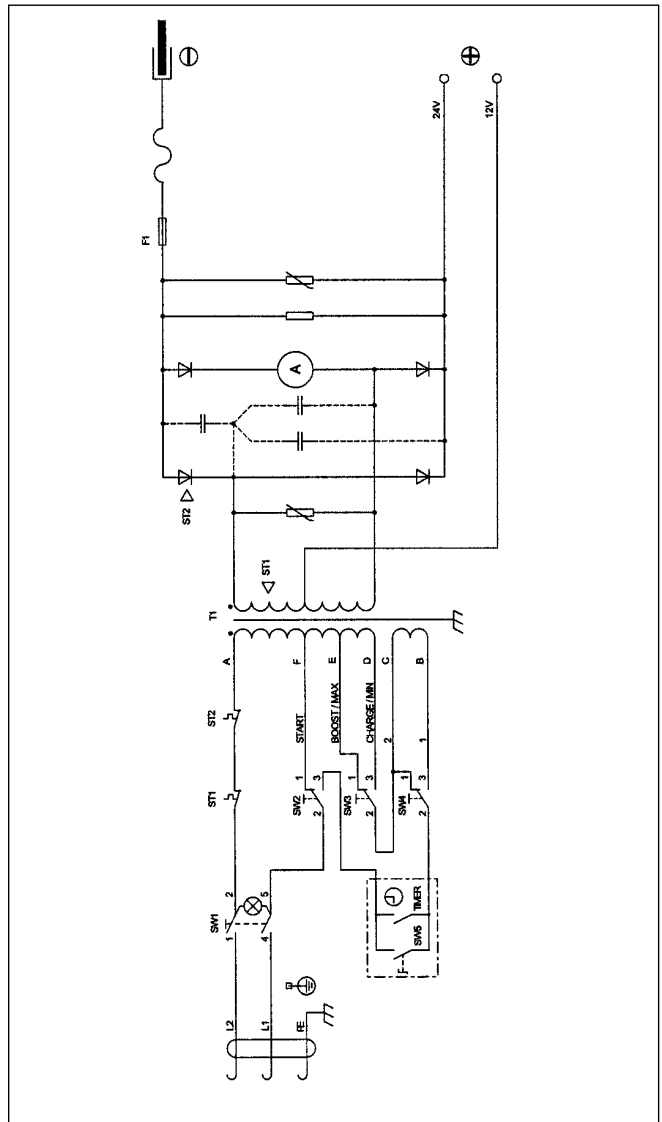
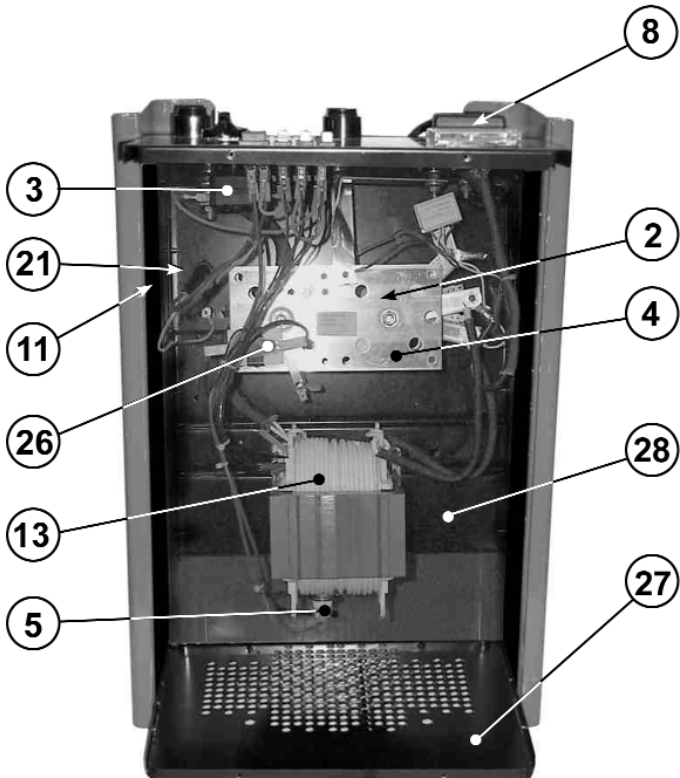


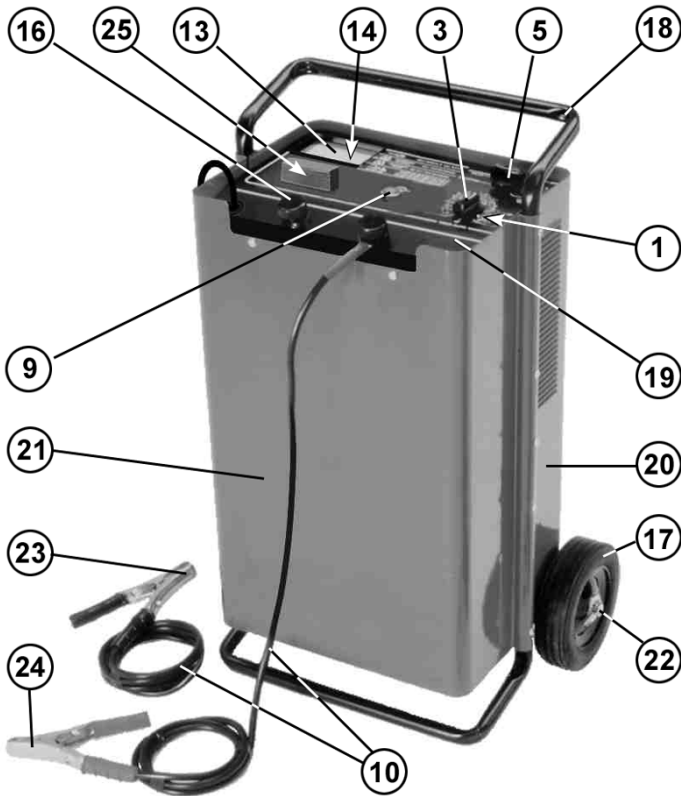
ITEM	PART NO	DESCRIPTION
1	120/112296	KNOB, TIMER
2	120/112183	PROTECTION, RECTIFIER
3	120/112218	TIMER
4	120.122998	RECTIFIER
5	120.122900	THERMOSTAT
6	120/122381	SWITCH, GREEN ROCKER
7	120/122400	SWITCH, WHITE ROCKER
8	120/802029	FUSE 100AMP PACK OF 20 SMALL ALI
9	120.123434	CABLE 16 MMQ 2M
11	CS 2.5M3CBLK	CORD SET 2.5M 3 CORE BLK
12	120/152021	AMMETER
13	120.169331	TRANSFORMER 240V
14	120/312053	KNOB, TERMINAL
15	120/322201	WHEEL
16	120/645071	HANDLE
17	120.649309	DASHBOARD
18	120.650441	REAR PANEL "NEW VERSION"
19	120.655141	FRONT PANEL
20	120/681147	AXLE, WHEEL
21	120.990439	CABLE BUSHING KIT.
22	120/712001	CLAMP, EARTH (BLACK)
23	120/712002	CLAMP, POSITIVE (RED)
24	120/990162	TERMINAL COMPLETE
25	120/990163	INSULATING WASHERS KIT
26	120.121021	THERMOSTAT
27	120.644783	BOTTOM
28	120.644782	DIAPHRAGM

Sole UK Distributor,
Sealey Group,
Bury St. Edmunds,
Suffolk.

Issue: 1
Date: 221003

01284 757500
01284 703534
www.sealey.co.uk
sales@sealey.co.uk





ITEM	PART NO	DESCRIPTION
1	120/112120	TIMER
2	120/112183	PROTECTION, RECTIFIER
3	120/112296	KNOB FOR TIMER
4	120.121002	RECTIFIER
5	120/122058	SWITCH KNOB
6	120/122329	THERMOSTAT
7	120/122240	SWITCH
8	120.121021	THERMOSTAT
9	120.122546	PILOT LAMP
10	120.123434	CABLE 16 MMQ 2M
12	120/132064	MAINS CABLE 3G2.5 2M
13	120/152087	AMMETER COVER
14	120/152115	AMMETER
15	120.169235	TRANSFORMER
16	120/312053	KNOB, TERMINAL
17	120/322201	WHEEL
18	120/645071	HANDLE
19	120.649086	COVER
20	120.650441	REAR PANEL "NEW VERSION"
21	120.655140	FRONT PANEL
22	120.681147	AXLE,WHEEL
23	120/712001	CLAMP, EARTH (BLACK)
24	120/712002	CLAMP, POSITIVE (RED)
25	120/802029	FUSE 100AMP KIT 20
26	120/990162	TERMINAL COMPLETE
27	120/990163	INSULATING WASHERS KIT
28	120.990439	CABLE BUSHING KIT
29	120.644783	BOTTOM
30	120.644782	DIAGPHRAGM

Sole UK Distributor,
Sealey Group,
Bury St. Edmunds,
Suffolk.



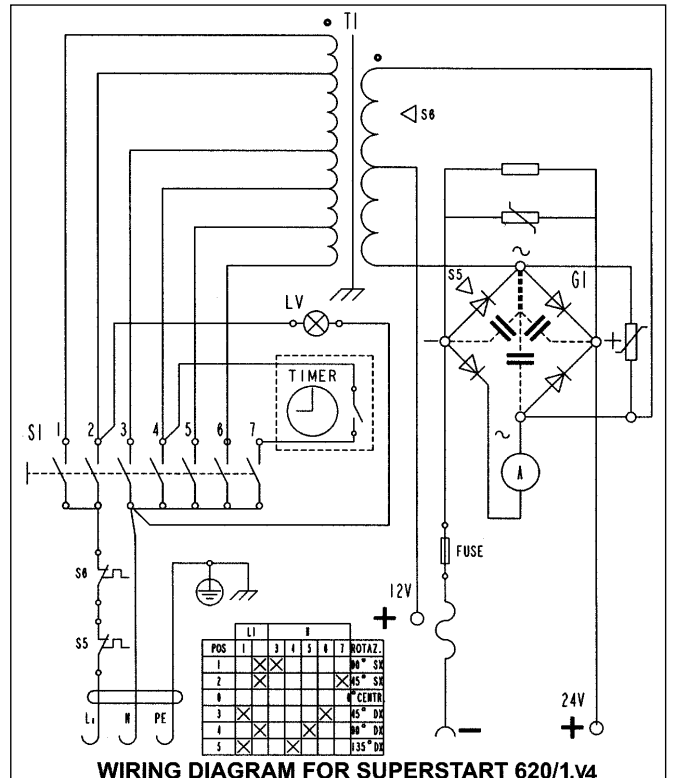
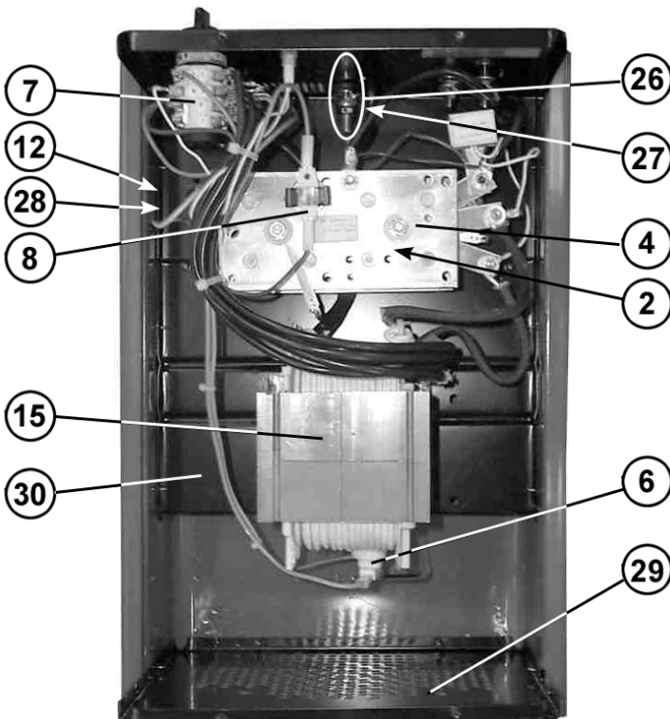
01284 757500

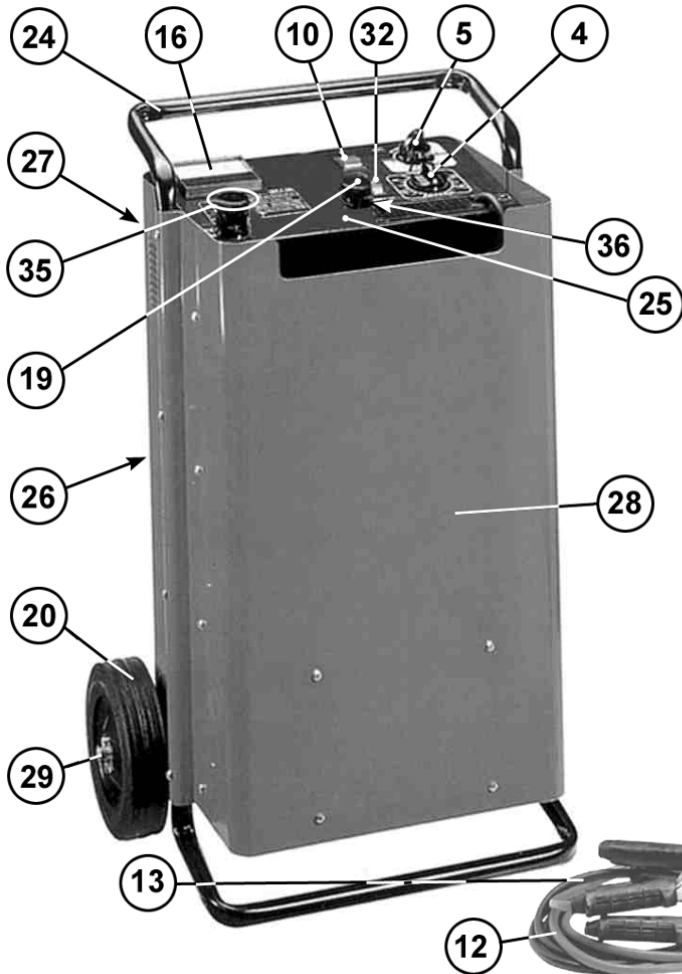
01284 703534

www.sealey.co.uk

sales@sealey.co.uk

Issue: 1
Date: 201103





ITEM	PART NO	DESCRIPTION
1	120/112120	TIMER
2	120/112131	RECTIFIER (PTS/240)
3	120/112165	CARD (S0)
4	120/112296	KNOB FOR TIMER
5	120/122058	SWITCH KNOB
6	120/122432	FUSE (GLASS)
7	120/122525	THERMOSTAT
8	120/122649	SWITCH (SCH 0814/7497)
9	120/122694	CONTACTOR
10	120/122381	SWITCH
11	120.122796	THERMOSTAT
12	120.123456	CABLE 25MMQ 2.5M
13	120.123467	CABLE 25MMQ 3M
14	120/123993	REMOTE CONTROL 6M
15	120/132244	MAINS CABLE 4G2.5 2M
16	120/152134	AMMETER
17	120/164270	AUXILIARY TRANS FORMER
18	120/164748	TRANSFORMER
19	120/312053	KNOB, TERMINAL
20	120/322201	WHEEL
21	120/644798	BOTTOM
22	120.644782	DIAGPHRAGM
23	120.644800	FUSEHOLDER BRACKET
24	120/645071	HANDLE
25	120.649089	COVER
26	120.650457	BACK PANEL
27	120.650557	FUSE COVER
28	120.655143	FRONT PANEL
29	120.681147	WHEEL AXLE
30	120.712025	POSITIVE CLAMP (RED)
31	120.712026	EARTH CLAMP (BLACK)
32	120/122400	SWITCH
33	120/112182	RECTIFIER PROTECTION
34	120/802131	KIT 10 FUSES 100AMP
35	120/990162	TERMINAL COMPLETE
36	120/990163	INSULATING WASHER KIT
37	120.990439	CABLE BUSHING KIT

Issue Date:- 221003
Issue No:- 1

