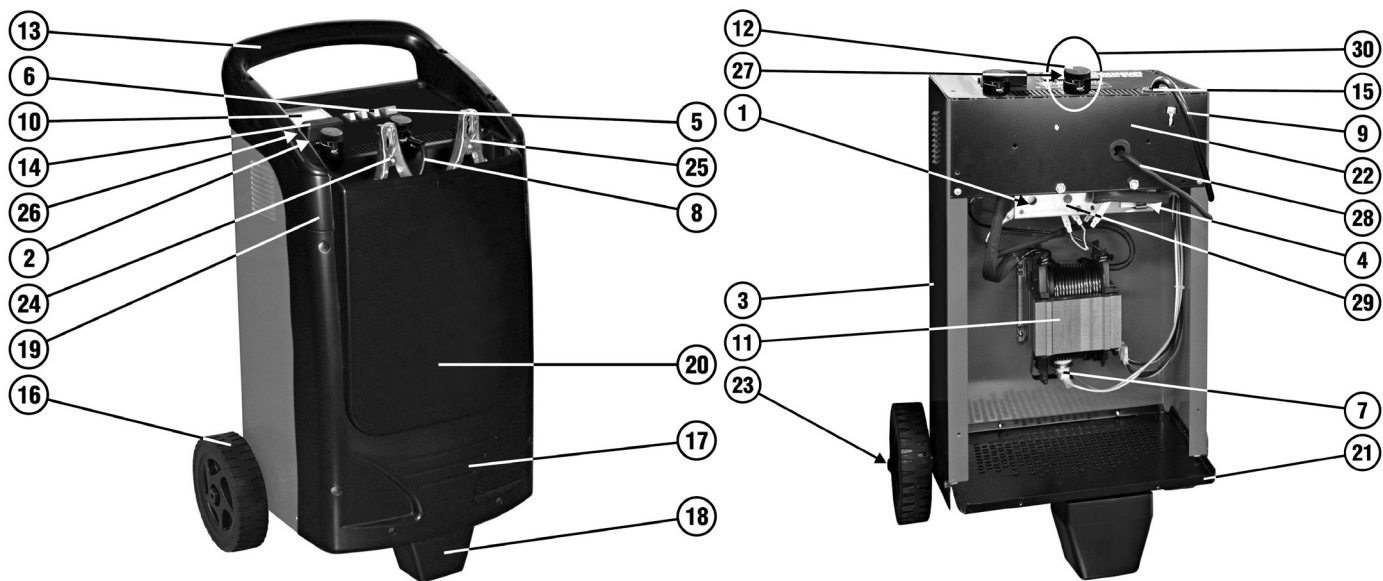
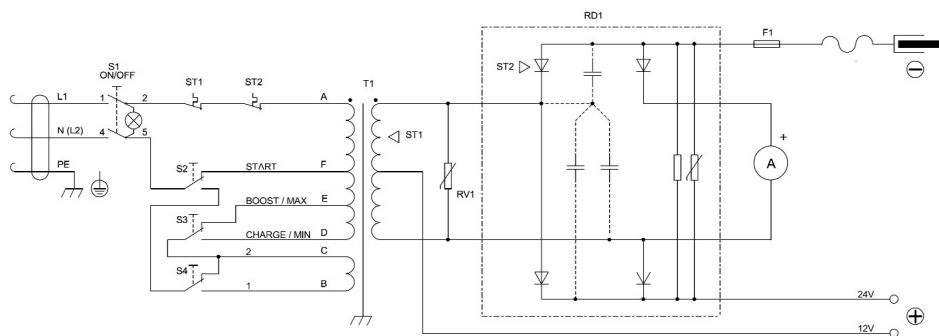




Parts Information:
Starter/Charger 400/65Amp 12/24V 230V
Model No: SUPERSTART420.V5



WIRING DIAGRAM



Item	Part No.	Description
1	120/112183	PROTECTION, RECTIFIER
2	120.980036	FUSE HOLDER (SINGLE POST)
3	120.980302	BACK PANEL
4	120.121021	THERMOSTAT 15A 250-400V
5	120/122381	SWITCH, GREEN ROCKER
6	120/122400	SWITCH, WHITE ROCKER
7	120.122900	THERMOSTAT
8	120.713115	CABLE 16MMQ 2M (POSITIVE)
9	CS 2.5M3CBLK	CORD SET 2.5M 3 CORE BLK
10	120.152267	AMMETER
11	120.169331	TRANSFORMER
12	120/312053	KNOB, TERMINAL
13	120.312399	HANDLE
14	START560.03	FUSE COVER
15	120.322112	BUSHING
16	120/322201	WHEEL, FIXED (173x16x41)
17	120.322796	FRONT PANEL

Item	Part No.	Description
18	120.322798	FOOT
19	120.322799	FRAME
20	120.362025	POCKET
21	120.644783	BOTTOM
22	120.980390	DASHBOARD
23	120.681055	WHEEL AXLE
--	120/322102	PLUG, WHEEL RETAINER (NOT SHOWN)
24	120/712002	CLAMP, POSITIVE (RED)
25	120/712001	CLAMP, EARTH (BLACK)
26	120/802260	FUSE 80Amp for SUPERBOOST140, 160, 180 P
27	120/990163	INSULATING WASHERS
28	120.713116	CABLE 16MMQ 2M (EARTH)C/W CLAMP
29	120.990902	RECTIFIER KIT
30	120/990162	TERMINAL COMPLETE
--	120/990072	FUSE TERMINAL COMPLETE (NOT SHOWN)
--	MSP650.S	MACHINE SCREW PAN HEAD PHILLIPS M6x50mm (NOT SHOWN)
--	120.991133	CLAMP HOLDER (POCKET) (NOT SHOWN)

NOTE: It is our policy to continually improve products and as such we reserve the right to alter data, specifications and component parts without prior notice.

IMPORTANT: No liability is accepted for incorrect use of product.

WARRANTY: Guarantee is 12 months from purchase date, proof of which will be required for any claim.

Sealey Group, Kempson Way, Suffolk Business Park, Bury St Edmunds, Suffolk. IP32 7AR



01284 757500



01284 703534



sales@sealey.co.uk



www.sealey.co.uk