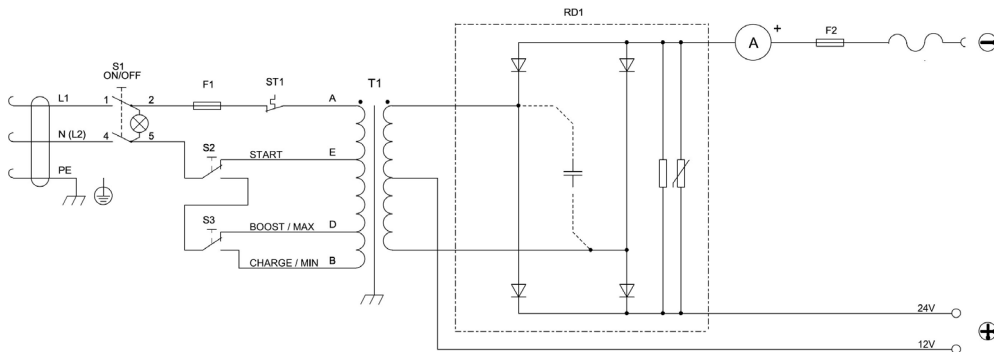


WIRING DIAGRAM



Item	Part No.	Description
1	120.121021	THERMOSTAT 15A 250-400V
2	120/122400	SWITCH, WHITE ROCKER
3	120/122381	SWITCH, GREEN ROCKER
4	120/123569	WORK CLAMP W/CABLE (L:2m D:6mm)
5	120.123581	CLAMP (POS)W/CABLE (L:2m D:6mm)
6	MC3CX1.5	MAINS CABLE BLK, 3 CORE, 1.5MM2
7	120.152020	AMMETER
8	120.169561	TRANSFORMER
9	120/312053	KNOB, TERMINAL
10	120.312408	HANDLE
--	120.212108	FIXING SCREWS FOR HANDLE (NOT SHOWN)
11	START560.03	FUSE COVER
12	120.322112	BUSHING
13	120/322193	WHEEL
14	120/322223	CAP, AXLE
15	120.322801	FRONT PANEL
16	120.322803	FOOT

Item	Part No.	Description
17	120.322804	FRAME
18	120.362024	CLAMP HOLDER
19	120/422961	AXLE 345mm X 8mm
20	120/644177	BOTTOM
21	120.980372	DASHBOARD KIT
22	120/802260	FUSE 80Amp for SUPERBOOST140, 160, 180 P
23	120.980036	FUSE HOLDER (SINGLE POST)
24	120.980300	BACK PANEL
25	120.712361	PINCER,COLORADO 60B WORK CLAMP 60A)
26	120.712360	PINCER, COLORADO 60R POS CLAMP UP TO 200
27	120/990162	TERMINAL COMPLETE
--	120/990072	FUSE TERMINAL COMPLETE (NOT SHOWN)
28	120/990163	INSULATING WASHERS
29	120.990774	RECTIFIER KIT
--	120.712360	PINCER, COLORADO 60R POS CLAMP UP TO 200 (NOT SHOWN)

NOTE: It is our policy to continually improve products and as such we reserve the right to alter data, specifications and component parts without prior notice.

IMPORTANT: No liability is accepted for incorrect use of product.

WARRANTY: Guarantee is 12 months from purchase date, proof of which will be required for any claim.