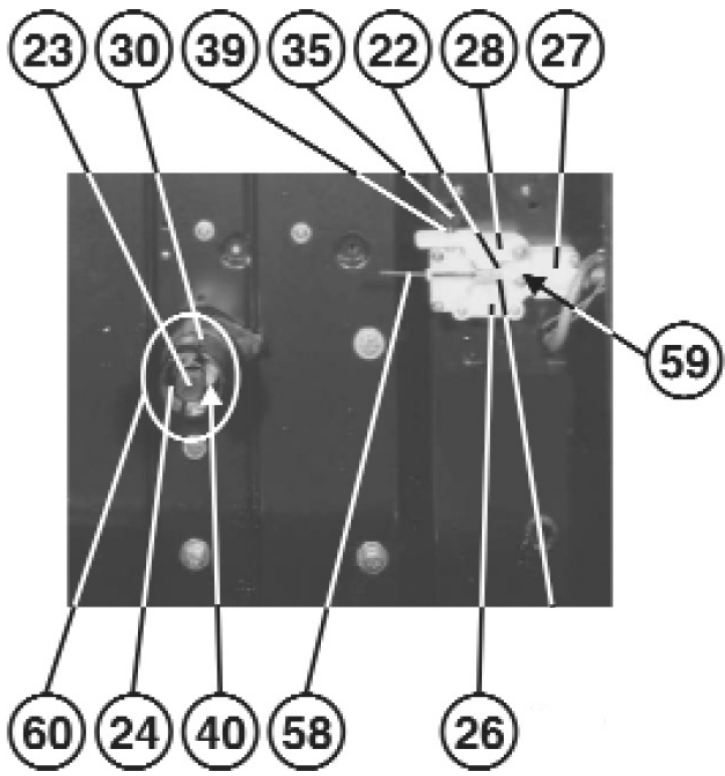
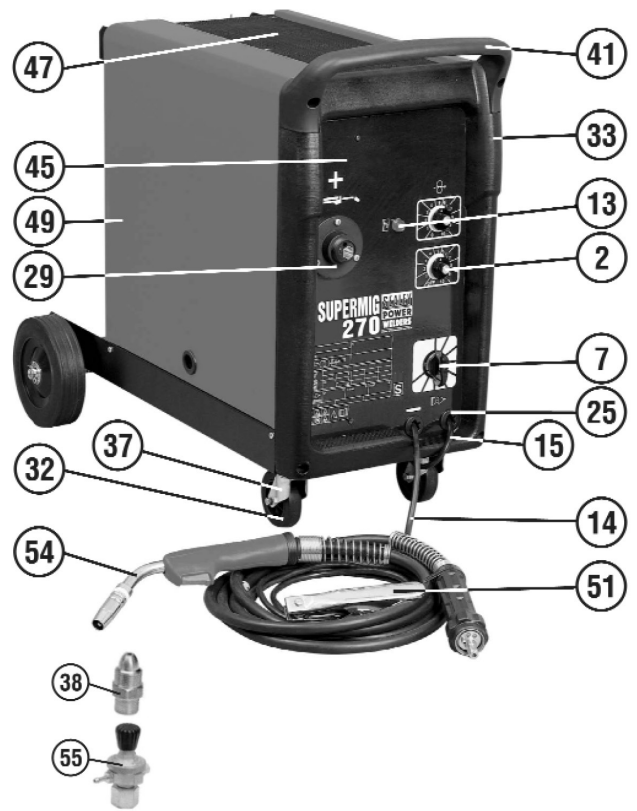
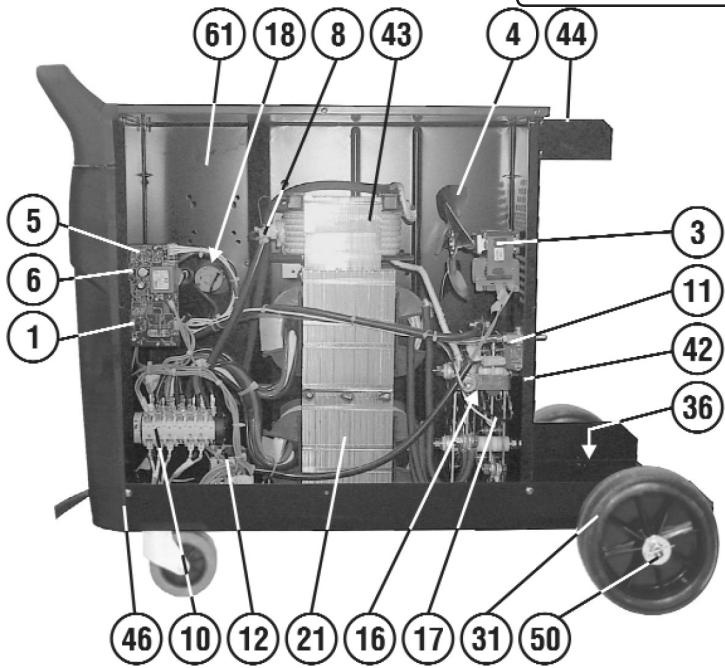




Parts Information:
**Professional MIG Welder 270Amp 230V
with Euro Torch**
Model No: SUPERMIG270.V3



NOTE: It is our policy to continually improve products and as such we reserve the right to alter data, specifications and component parts without prior notice.
IMPORTANT: No liability is accepted for incorrect use of product.
WARRANTY: Guarantee is 12 months from purchase date, proof of which will be required for any claim.

Sealey Group, Kempson Way, Suffolk Business Park, Bury St Edmunds, Suffolk. IP32 7AR

01284 757500 | 01284 703534 | sales@sealey.co.uk | www.sealey.co.uk



Parts Information:
**Professional MIG Welder 270Amp 230V
with Euro Torch
Model No: SUPERMIG270.V3**

Item	Part No.	Description
1	120.113574	Potentiometer (100ka)
2	120.121424	Knob, Potentiometer
3	120/152110	Motor, Fan
4	120/152054	Blade, Fan
5	120.980462	Wire Feed PCB
6	120.113533	Potentiometer (470ka)
7	120.323101	Switch Knob Set
8	120/122329	Thermostat
10	120.121070	Switch
--	120.121520	Switch (NOT SHOWN)
11	120/122035	Electro-Valve 230V
12	120.121089	Contactora
13	120/122594	Lamp, Yellow, Slim, 24V
14	120/123466	Cable 25mmq
15	MC3CX2.5	Mains Cable Blk, 3 Core, 2.5mm2
16	120/112182	Protector,Rectifier
17	120.121068	Single Phase Rectifier
18	120/153007	Wire Feed Motor (Internal)
21	120.169298	Transformer 230V
22	B/609Z	Bearing 609Z
23	120/312137	Knob
24	120/322081	Spindle, Sleeve/Spacer Type
25	120/990046	Bushing & Nut, Cable
26	120/322126	Casing, Feeder Roller Shaft
27	120/322127	Casing, Torch Fixing
28	120/322128	Bracket, Counter Roller
29	120/723051	Connection, Torch
30	120/322180	Spacer Collar

Item	Part No.	Description
31	120/322200	Wheel,Fixed (200x16x41)
32	120/322246	Wheel,Fixed (98x10x24)
33	120.322641	Plastic Frame
35	120/422257	Knob, Counter Roller Tension
36	120/422817	Bracket, Axle
37	120/422969	Bracket, Castor
38	120/432102	Bull Nose Adaptor
39	120/452022	Spring, Counter Roller Tension
40	120/452057	Spring
41	120/312328	Handle
42	120/644077	Panel
43	120.169381	Reactance
44	120/644606	Bracket
45	120.649574	Front Panel
46	120.644967	Bottom (Black)
47	120.655325	Cover
49	120.655324	Door
--	120.980903	Door (NOT SHOWN)
50	120/681092	Axle, Wheel
51	120/712231	Work Clamp
54	MIG/T25	MIG Torch 3Mtr Euro Connector TB25
55	REG/MT	MIG Gas Regulator 2 Gauge Industrial
58	120/990097	Guide Hose 2mm x 4mm x 122mm
59	120/990257	Gear Set
60	120/990264	Spindle Kit
61	120/644078	Diaphragm
--	120/990328	Knob (NOT SHOWN)

NOTE: It is our policy to continually improve products and as such we reserve the right to alter data, specifications and component parts without prior notice.

IMPORTANT: No liability is accepted for incorrect use of product.

WARRANTY: Guarantee is 12 months from purchase date, proof of which will be required for any claim.

Sealey Group, Kempson Way, Suffolk Business Park, Bury St Edmunds, Suffolk. IP32 7AR



01284 757500



01284 703534



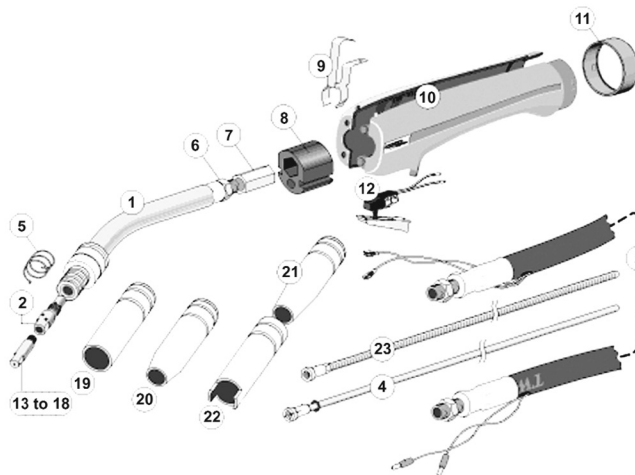
sales@sealey.co.uk



www.sealey.co.uk

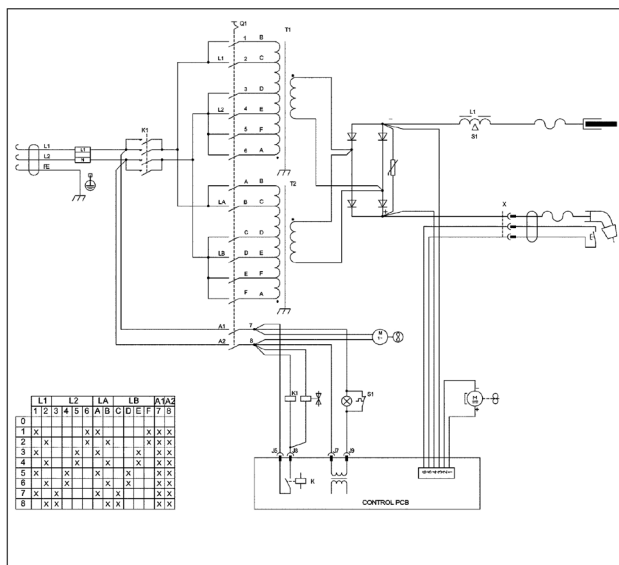


Parts Information:
**Professional MIG Welder 270Amp 230V
 with Euro Torch**
Model No: SUPERMIG270.V3



Item	Part No.	Description
1	120/300060	Swanneck
2	MIG913	Diffuser Adaptor TB25/36 Pack Of 2
3	120/258253	Cable Assembly 250Amp 3Mtr
4	120/302538	Red Teflon Liner 3Mtr (2.0/4.0mm)
5	120/305620	TR-25 Nozzle Spring
--	MIG914	Nozzle Spring TB25/36 Pack Of 2 (NOT SHOWN)
6	120/305401	M10 Half Hex Nut (Brass)
7	120/305400	Hexagonal Fitting M10x1x26mm
8	120/305500	Plastic Body
9	120/306270	Supension Hook
10	120/306000	DWM-Handle (3 Parts) Without Switch
11	120/306120	Locking Nut
12	120/306130	Blade Switch

Item	Part No.	Description
13	MIG956	Contact Tip 0.6mm TB15 Pack Of 5
14	MIG921	Contact Tip 1mm Aluminium TB25/36 Pack Of 5
--	MIG912	Contact Tip 1mm TB15 Pack Of 2 (NOT SHOWN)
15	120/722553	Contact Tip TR-25 m6-08-1.2a 100223
16	MIG917	Contact Tip 0.8mm TB25/36 Pack Of 5
17	MIG918	Contact Tip 1mm TB25/36 Pack Of 5
18	MIG919	Contact Tip 1.2mm TB25/36 Pack Of 5
19	MIG915	Cylindrical Nozzle TB25/36 Pack Of 2
20	MIG929	Conical Nozzle TB25/36 Pack Of 2
21	120/722686	Thin Headed Nozzle TB25/36 Single
22	120/722687	Spot Welding Nozzle TB25/36 Single
23	120/722689	Liner,t, 1.0-1.2mm 3mt Steel



NOTE: It is our policy to continually improve products and as such we reserve the right to alter data, specifications and component parts without prior notice.

IMPORTANT: No liability is accepted for incorrect use of product.

WARRANTY: Guarantee is 12 months from purchase date, proof of which will be required for any claim.

Sealey Group, Kempson Way, Suffolk Business Park, Bury St Edmunds, Suffolk. IP32 7AR



01284 757500



01284 703534



sales@sealey.co.uk



www.sealey.co.uk