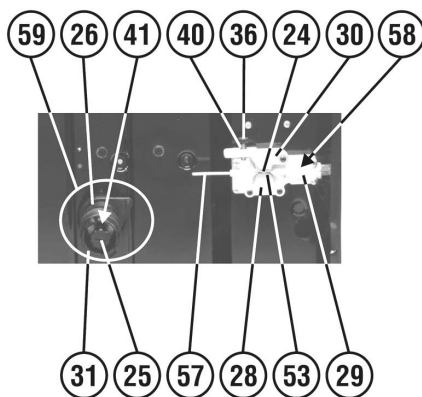
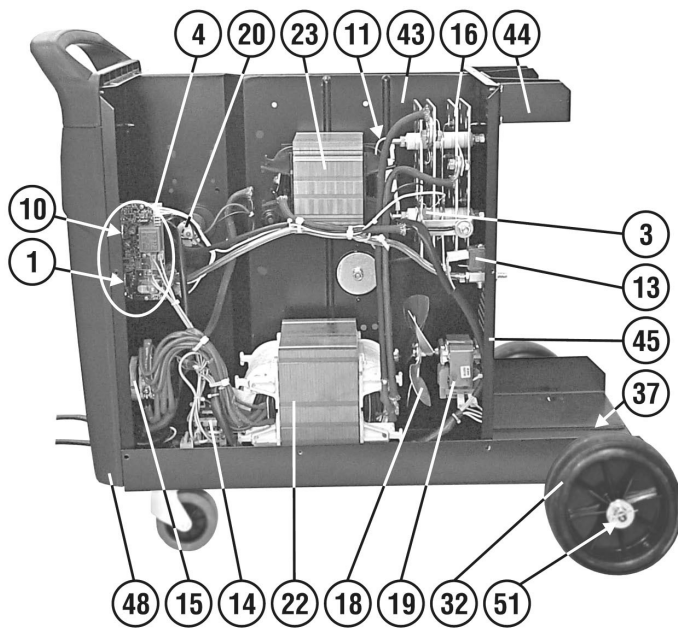
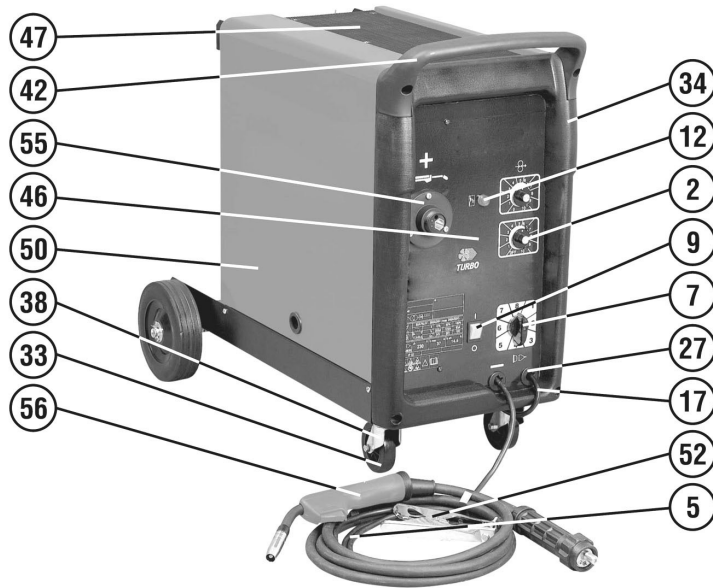


Parts Information:
**Professional MIG Welder 240Amp 230V
 with Euro Torch**
Model No: SUPERMIG250



NOTE: It is our policy to continually improve products and as such we reserve the right to alter data, specifications and component parts without prior notice.

IMPORTANT: No liability is accepted for incorrect use of product.

WARRANTY: Guarantee is 12 months from purchase date, proof of which will be required for any claim.



Parts Information:
**Professional MIG Welder 240Amp 230V
with Euro Torch
Model No: SUPERMIG250**

Item	Part No.	Description
1	120.113574	POTENTIOMETER (100KA)
2	120.121424	KNOB, POTENTIOMETER
3	120/112182	PROTECTOR,RECTIFIER
4	120.980462	WIRE FEED PCB
5	120.713109	WORK CABLE
7	120.323101	SWITCH KNOB SET (WAS 322901)
9	120/122381	SWITCH, GREEN ROCKER
10	120.113533	POTENTIOMETER (470KA)
11	120/122329	THERMOSTAT
12	120/122594	LAMP, YELLOW, SLIM, 24V
13	120/122035	ELECTRO-VALVE 230V
14	120.122692	CONTACTOR
15	120.12283	SWITCH
16	120.122979	RECTIFIER (PMS-12/4/2)
17	120/132191	MAINS CABLE
18	120/152054	BLADE, FAN
19	120/152110	MOTOR, FAN
20	120/153007	WIRE FEED MOTOR
22	120.169075	TRANSFORMER
23	120.16938	REACTANCE
24	B/609Z	BEARING 609Z
25	120/312137	KNOB
26	120/322081	SPINDLE, SLEEVE/SPACER TYPE
27	120.322112	BUSHING
28	120/322126	CASING, FEEDER ROLLER SHAFT
29	120/322127	CASING, TORCH FIXING
30	120/322128	BRACKET, COUNTER ROLLER
31	120/322180	SPACER COLLAR

Item	Part No.	Description
32	120/322200	WHEEL, FIXED (200x16x41)
33	120/322246	WHEEL, FIXED (98x10x24)
34	120.322641	PLASTIC FRAME
36	120/422257	KNOB, COUNTER ROLLER TENSION
37	120/422817	BRACKET, AXLE
38	120/422969	BRACKET, CASTOR
--	120/432102	BULL NOSE ADAPTOR (NOT SHOWN)
40	120/452022	SPRING, COUNTER ROLLER TENSION
41	120/452057	SPRING
42	120/312328	HANDLE
43	120/644078	DIAPHRAGM
44	120/644606	BRACKET
45	120/644757	BACK PANEL
46	120.642052	FRONT PANEL
47	120.655983	COVER
48	120.644961	BOTTOM (BLACK)
50	120.655982	DOOR
51	120/681092	AXLE, WHEEL
52	120/712231	WORK CLAMP
53	120/722019	FEED ROLLER 0.6-0.8/0.9mm
--	REG/MT	MIG GAS REGULATOR 2 GAUGE INDUSTRIAL (NOT SHOWN)
55	120/723051	CONNECTION, TORCH
56	MIG/T15	MIG TORCH 3mtr EURO CONNECTOR TB15
57	120/990097	GUIDE HOSE
58	120/990257	GEAR SET
59	120/990264	SPINDLE KIT
--	120/990328	KNOB (NOT SHOWN)

NOTE: It is our policy to continually improve products and as such we reserve the right to alter data, specifications and component parts without prior notice.

IMPORTANT: No liability is accepted for incorrect use of product.

WARRANTY: Guarantee is 12 months from purchase date, proof of which will be required for any claim.

Sealey Group, Kempson Way, Suffolk Business Park, Bury St Edmunds, Suffolk. IP32 7AR



01284 757500



01284 703534



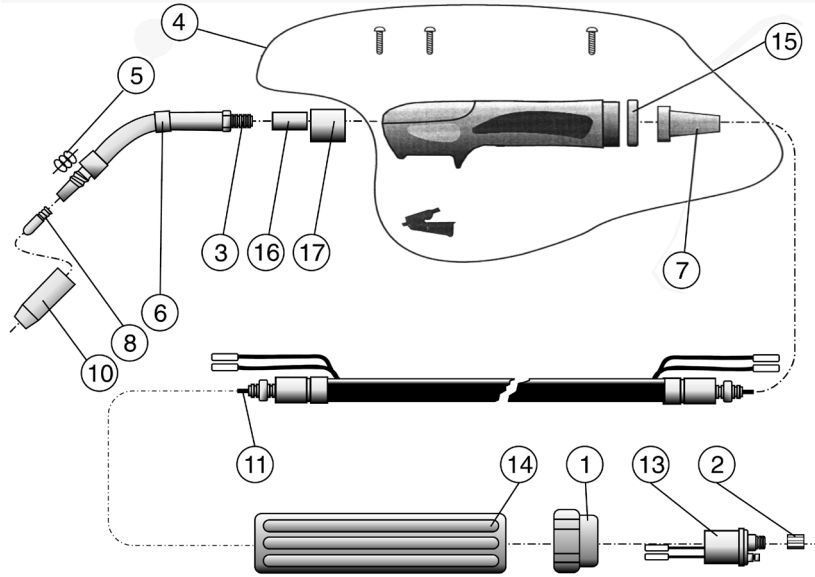
sales@sealey.co.uk



www.sealey.co.uk

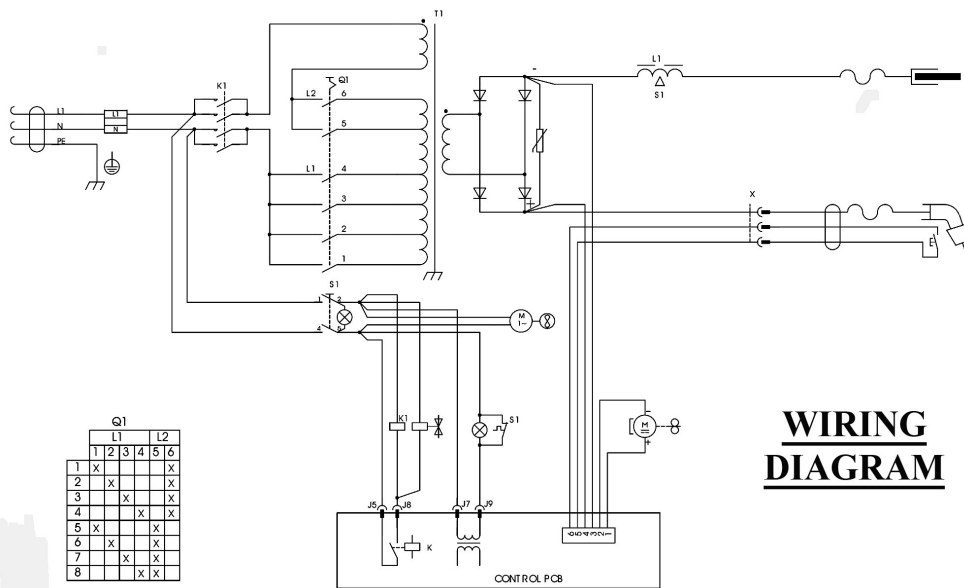


Parts Information:
**Professional MIG Welder 240Amp 230V
 with Euro Torch**
Model No: SUPERMIG250



Item	Part No.	Description
1	120/722007	ADAPTOR NUT FOR AC 305145
2	120/722013	LINER POSITIONER NUT FOR CA 305315
3	120/722305	TR-15 SWANNECK
4	120/742170	HANDLE WITHOUT SWITCH (WITH TRIGGER)
5	120/722319	SPRING for NOZZLE TB15
6	120/722326	HEAD INSULATOR TR-15 SWANNECK 305240
7	120/742172	TORCH HOLDER
8	MIG956	CONTACT TIP 0.6mm TB15 Pack of 5
	MIG957	CONTACT TIP 0.8mm TB15 Pack of 5
	MIG921	CONTACT TIP 1mm ALUMINIUM TB25/36 Pack of 5
	120/722553	CONTACT TIP TR-25 M6-08-1.2A 100223

Item	Part No.	Description
	120/722556	CONTACT TIP TR-25 M6-08-0.8A 100217(ALUM)
10	168.200105	CYL NOZZLE TB14 & TB15 Single (WAS 120/7 MIG955)
		CONICAL NOZZLE TB15 Pack of 3
11	168.301535	BLUE STEEL LINER, DIA 1,5/4,5mm ROUND
	120/722689	LINER,T, 1.0-1.2mm 3mt STEEL
13	120/722441	CENTRAL ADAPTOR KZ2 FOR 15/25/36 305300
14	120/742175	GUN PLUG HOUSING
15	120/742171	RING NUT
16	120/722325	FRONT TORCH PART
17	120/722693	PLASTIC BODY FOR SWANNECK 305500
--	120/742174	SPRING (NOT SHOWN)



**WIRING
 DIAGRAM**

NOTE: It is our policy to continually improve products and as such we reserve the right to alter data, specifications and component parts without prior notice.

IMPORTANT: No liability is accepted for incorrect use of product.

WARRANTY: Guarantee is 12 months from purchase date, proof of which will be required for any claim.

Sealey Group, Kempson Way, Suffolk Business Park, Bury St Edmunds, Suffolk. IP32 7AR



01284 757500



01284 703534



sales@sealey.co.uk



www.sealey.co.uk