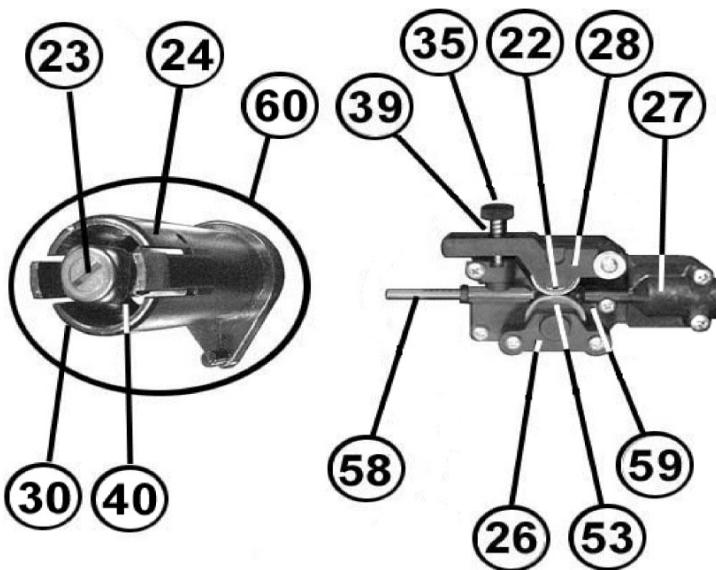
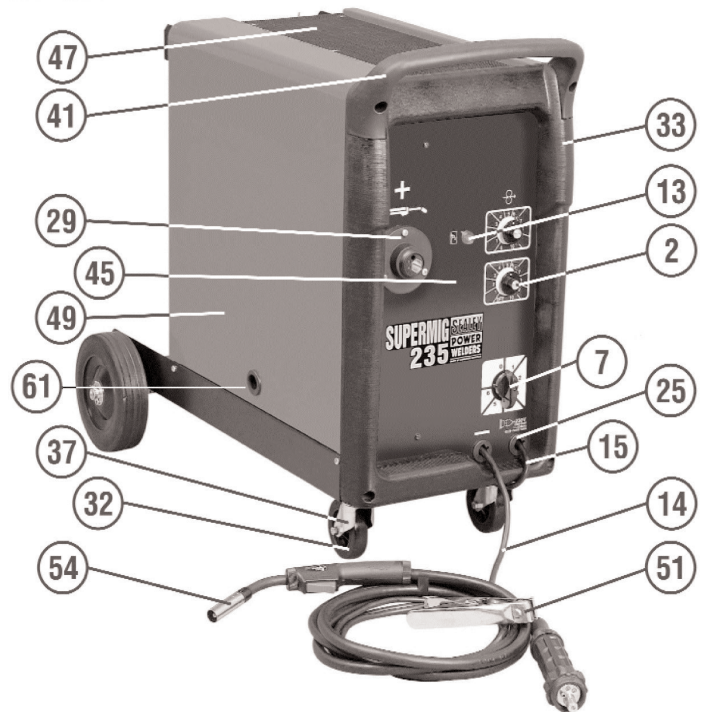
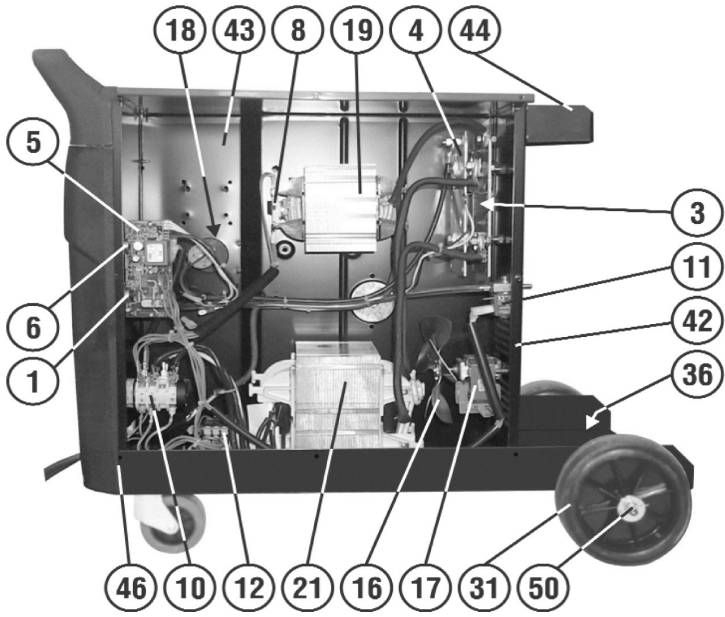




Parts Information:
Professional MIG Welder 235Amp 230V
with Euro Torch
Model No: SUPERMIG235.V4



NOTE: It is our policy to continually improve products and as such we reserve the right to alter data, specifications and component parts without prior notice.

IMPORTANT: No liability is accepted for incorrect use of product.

WARRANTY: Guarantee is 12 months from purchase date, proof of which will be required for any claim.

Sealey Group, Kempson Way, Suffolk Business Park, Bury St Edmunds, Suffolk. IP32 7AR



01284 757500



01284 703534



sales@sealey.co.uk



www.sealey.co.uk



Parts Information:
**Professional MIG Welder 235Amp 230V
with Euro Torch
Model No: SUPERMIG235.V4**

Item	Part No.	Description
1	120.113574	Potentiometer (100ka)
2	120/990328	Knob
3	120/112183	Protection, Rectifier
4	120.980476	Rectifier Kit
5	120.980462	Wire Feed PCB
6	120.113533	Potentiometer (470ka)
7	120.323101	Switch Knob Set
8	120/122329	Thermostat
10	120.121510	Switch
11	120/122035	Electro-Valve 230V
12	120.122692	Contactora
13	120/122594	Lamp, Yellow, Slim, 24V
14	CC16/1	16mm Copper Cable Per Meter
15	MC3CX2.5	Mains Cable Blk, 3 Core, 2.5mm ²
16	120/152054	Blade, Fan
17	120/152110	Motor, Fan
18	120/153007	Wire Feed Motor (Internal)
19	120.169379	Reactance
21	120.169070	Transformer
22	B/609Z	Bearing 609Z
23	120/312137	Knob
24	120/322081	Spindle, Sleeve/Spacer Type
25	120.322112	Bushing
26	120/322126	Casing, Feeder Roller Shaft
27	120/322127	Casing, Torch Fixing
28	120/322128	Bracket, Counter Roller
29	120/723051	Connection, Torch
30	120/322180	Spacer Collar

Item	Part No.	Description
31	120/322200	Wheel,Fixed (200x16x41)
32	120/322246	Wheel,Fixed (98x10x24)
33	120.322641	Plastic Frame
35	120/422257	Knob, Counter Roller Tension
36	120/422817	Bracket, Axle
37	120/422969	Bracket, Castor
--	120/432102	Bull Nose Adaptor (NOT SHOWN)
39	120/452022	Spring, Counter Roller Tension
40	120/452057	Spring
41	120/312328	Handle
42	120/644757	Back Panel
43	120/644078	Diaphragm
44	120/644606	Bracket
45	120.649563	Front Panel
46	120.644961	Bottom (Black)
47	120.655312	Cover
49	120.655311	Door
50	120/681092	Axle, Wheel
51	120/712231	Work Clamp
53	120/722019	Feed Roller 0.6-0.8/0.9mm
54	MIG/T15	MIG Torch 3Mtr Euro Connector TB15
--	REG/MT	MIG Gas Regulator 2 Gauge Industrial (NOT SHOWN)
58	120/990097	Guide Hose 2mm x 4mm x 122mm
59	120/990257	Gear Set
60	120/990264	Spindle Kit
61	120.322032	Grommet
--	120.990704	Gas Hose And Clip (NOT SHOWN)

NOTE: It is our policy to continually improve products and as such we reserve the right to alter data, specifications and component parts without prior notice.

IMPORTANT: No liability is accepted for incorrect use of product.

WARRANTY: Guarantee is 12 months from purchase date, proof of which will be required for any claim.

Sealey Group, Kempson Way, Suffolk Business Park, Bury St Edmunds, Suffolk. IP32 7AR



01284 757500



01284 703534



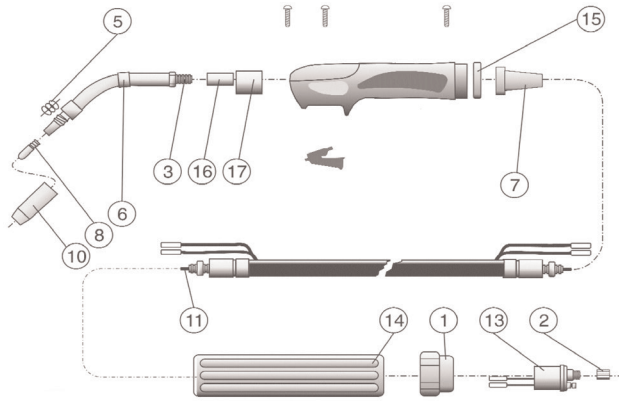
sales@sealey.co.uk



www.sealey.co.uk

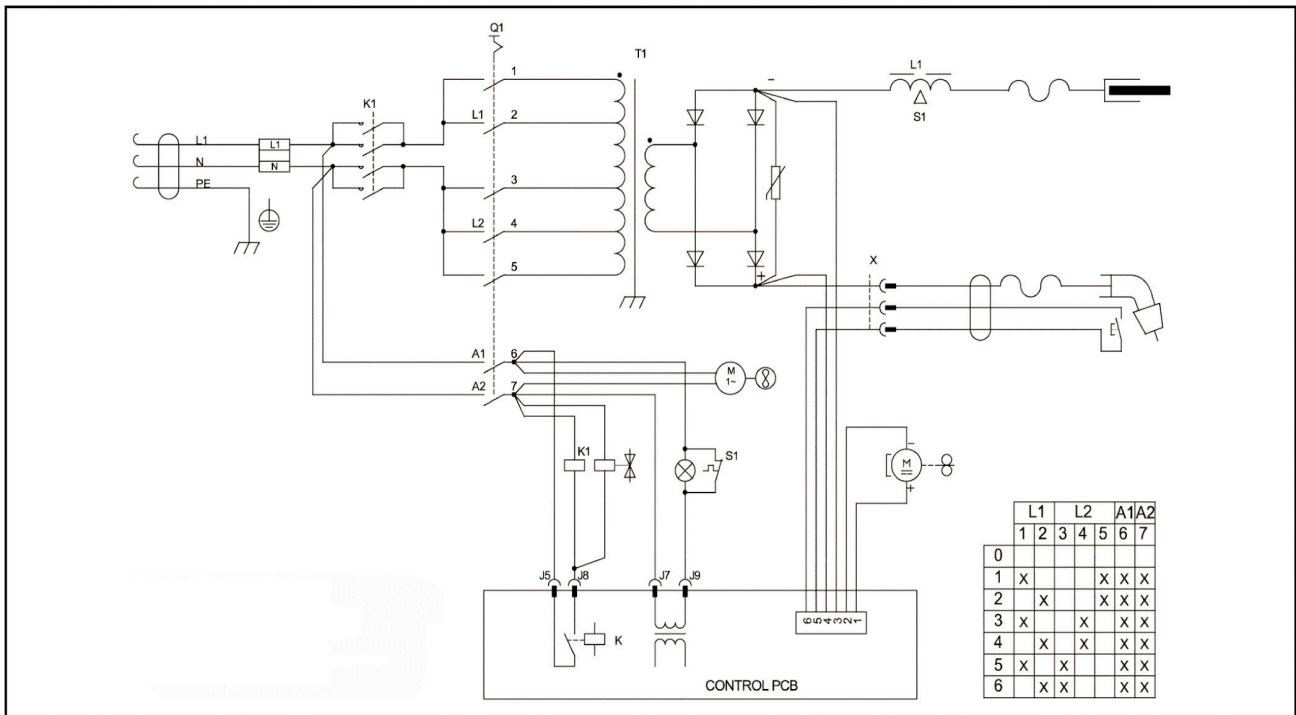


Parts Information:
**Professional MIG Welder 235Amp 230V
 with Euro Torch**
Model No: SUPERMIG235.V4



Item	Part No.	Description
1	120/722007	Adaptor Nut For AC 305145
2	120/722013	Liner Positioner Nut For CA 305315
3	120/722305	TR-15 Swanneck
--	120/742170	Handle Without Switch (With Trigger) (NOT SHOWN)
5	120/722319	Spring For Nozzle TB15
6	120/722326	Head Insulator TR-15 Swanneck 305240
7	120/742172	Torch Holder
8	MIG956	Contact Tip 0.6mm TB15 Pack Of 5
	MIG957	Contact Tip 0.8mm TB15 Pack Of 5
	MIG921	Contact Tip 1mm Aluminium TB25/36 Pack Of 5
	120/722553	Contact Tip TR-25 M6-08-1.2a 100223

Item	Part No.	Description
	120/722556	Contact Tip TR-25 M6-08-0.8a 100217(Aluminium)
10	168.200105	Cylindrical Nozzle TB15 Single
	MIG955	Conical Nozzle TB15 Pack Of 3
11	168.301535	Blue Steel Liner, Dia 1,5/4,5mm Round
	120/722689	Liner,t, 1.0-1.2mm 3mt Steel
13	120/722441	Central Adaptor kz2 For 15/25/36 305300
14	120/742175	Gun Plug Housing
15	120/742171	Ring Nut
16	120/722325	Front Torch Part
17	120/722693	Plastic Body For Swanneck 305500
--	120/742174	Spring (NOT SHOWN)



NOTE: It is our policy to continually improve products and as such we reserve the right to alter data, specifications and component parts without prior notice.

IMPORTANT: No liability is accepted for incorrect use of product.

WARRANTY: Guarantee is 12 months from purchase date, proof of which will be required for any claim.

Sealey Group, Kempson Way, Suffolk Business Park, Bury St Edmunds, Suffolk. IP32 7AR



01284 757500



01284 703534



sales@sealey.co.uk



www.sealey.co.uk