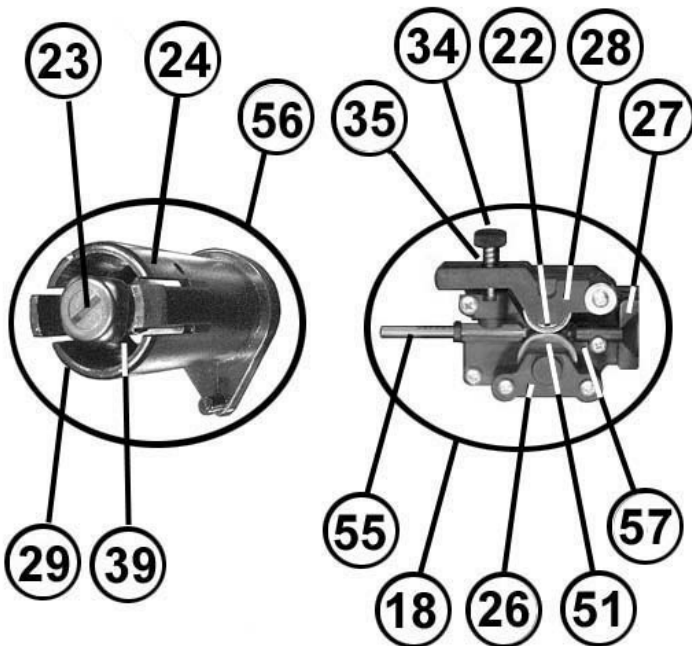
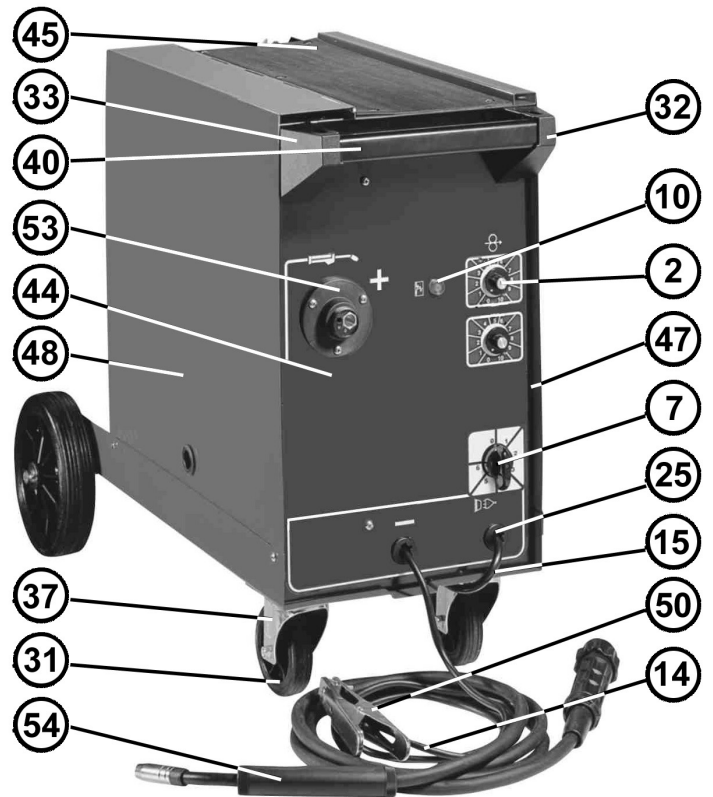
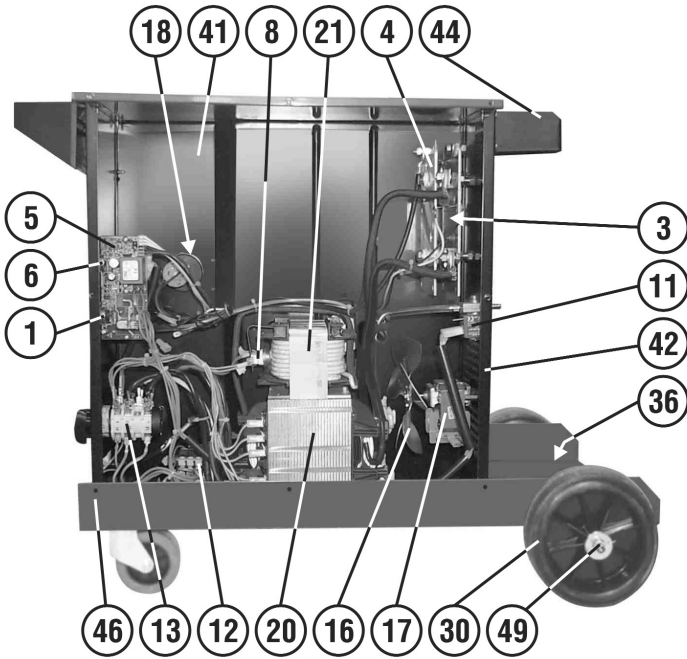




Parts Information:
**Professional MIG Welder 235Amp 230V
 with Euro Torch**
Model No: SUPERMIG235.V3



NOTE: It is our policy to continually improve products and as such we reserve the right to alter data, specifications and component parts without prior notice.

IMPORTANT: No liability is accepted for incorrect use of product.

WARRANTY: Guarantee is 12 months from purchase date, proof of which will be required for any claim.

Sealey Group, Kempson Way, Suffolk Business Park, Bury St Edmunds, Suffolk. IP32 7AR



01284 757500



01284 703534



sales@sealey.co.uk



www.sealey.co.uk



Parts Information:
**Professional MIG Welder 235Amp 230V
 with Euro Torch**
Model No: SUPERMIG235.V3

Item	Part No.	Description
1	120.113574	Potentiometer (100ka)
2	120.121424	Knob, Potentiometer
3	120/112183	Protection, Rectifier
4	120/112227	Rectifier
5	120.980462	Wire Feed PCB
6	120.113533	Potentiometer (470ka)
7	120.323101	Switch Knob Set
8	120/122329	Thermostat
10	120/122594	Lamp, Yellow, Slim, 24V
11	120/122035	Electro-Valve 230V
12	120.122692	Contactactor
13	120.121510	Switch
14	CC16/1	16mm Copper Cable Per Meter
15	120/132191	Mains Cable
16	120/152054	Blade, Fan
17	120/152110	Motor, Fan
18	120/153007	Wire Feed Motor (Internal)
20	120.169070	Transformer
21	120/164772	Reactance
22	B/609Z	Bearing 609Z
23	120/312137	Knob
24	120/322081	Spindle, Sleeve/Spacer Type
25	120.322112	Bushing
26	120/322126	Casing, Feeder Roller Shaft
27	120/322127	Casing, Torch Fixing
28	120/322128	Bracket, Counter Roller
29	120/322180	Spacer Collar
30	120/322200	Wheel,Fixed (200x16x41)

Item	Part No.	Description
31	120/322246	Wheel,Fixed (98x10x24)
32	120/322248	Handle Support Block -Right
33	120/322249	Handle Support Block - Left
34	120/422257	Knob, Counter Roller Tension
35	120/452022	Spring, Counter Roller Tension
36	120/422817	Bracket, Axle
37	120/422969	Bracket, Castor
--	120/432102	Bull Nose Adaptor (NOT SHOWN)
39	120/452057	Spring
40	120/312103	Handle
41	120/644078	Diaphragm
42	120/644606	Bracket
--	120/644757	Back Panel (NOT SHOWN)
44	120.649248	Front Panel
45	120/650025	Cover
46	120.644825	Bottom
47	120/655122	Side
48	120/655123	Door
49	120/681092	Axle, Wheel
50	120/712231	Work Clamp
51	120/722019	Feed Roller 0.6-0.8/0.9mm
--	REG/MT	MIG Gas Regulator 2 Gauge Industrial (NOT SHOWN)
53	120/723051	Connection, Torch
54	MIG/T15	MIG Torch 3Mtr Euro Connector TB15
55	120/990097	Guide Hose 2mm x 4mm x 122mm
56	120/990264	Spindle Kit
57	120/990257	Gear Set
--	120.422971	Castor Spacer (NOT SHOWN)

NOTE: It is our policy to continually improve products and as such we reserve the right to alter data, specifications and component parts without prior notice.

IMPORTANT: No liability is accepted for incorrect use of product.

WARRANTY: Guarantee is 12 months from purchase date, proof of which will be required for any claim.

Sealey Group, Kempson Way, Suffolk Business Park, Bury St Edmunds, Suffolk. IP32 7AR



01284 757500



01284 703534



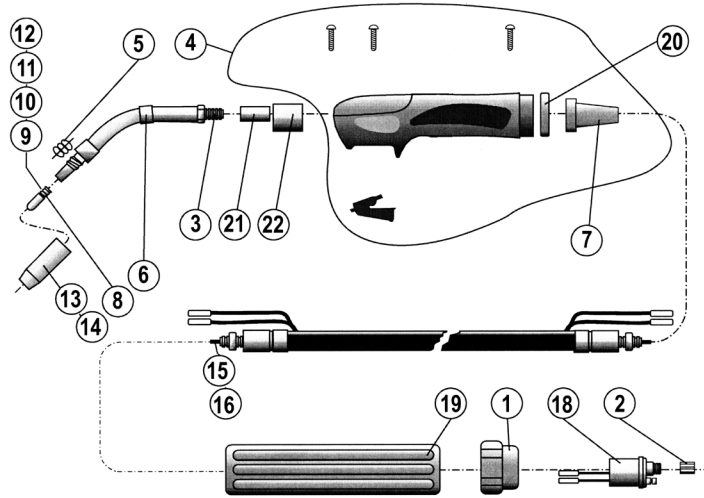
sales@sealey.co.uk



www.sealey.co.uk

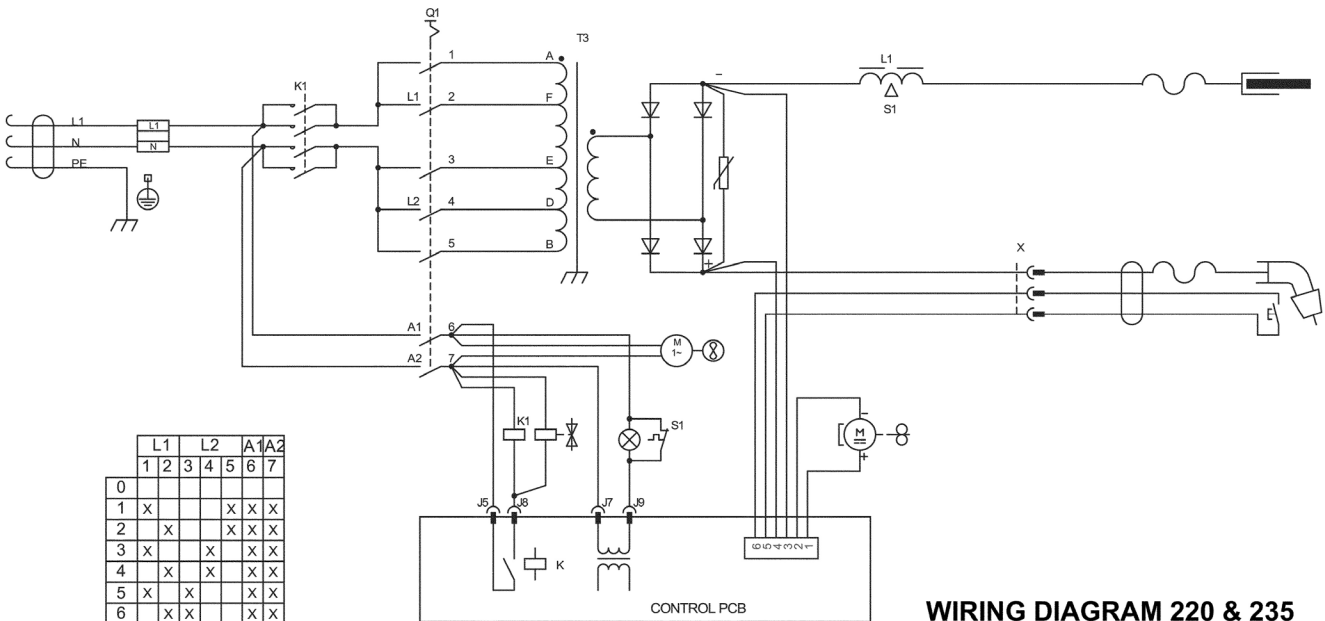


Parts Information:
**Professional MIG Welder 235Amp 230V
 with Euro Torch**
Model No: SUPERMIG235.V3



Item	Part No.	Description
1	120/722007	Adaptor Nut For AC 305145
2	120/722013	Liner Positioner Nut For CA 305315
3	120/722305	TR-15 Swanneck
4	120/742170	Handle Without Switch (With Trigger)
5	120/722319	Spring For Nozzle TB15
6	120/722326	Head Insulator TR-15 Swanneck 305240
7	120/742172	Torch Holder
8	MIG956	Contact Tip 0.6mm TB15 Pack Of 5
9	MIG957	Contact Tip 0.8mm TB15 Pack Of 5
10	MIG921	Contact Tip 1mm Aluminium TB25/36 Pack Of 5
11	120/722553	Contact Tip TR-25 M6-08-1.2a 100223

Item	Part No.	Description
12	120/722556	Contact Tip TR-25 M6-08-0.8a 100217(Aluminium)
13	168.200105	Cylindrical Nozzle TB15 Single
14	MIG955	Conical Nozzle TB15 Pack Of 3
15	168.301535	Blue Steel Liner, Dia 1,5/4,5mm Round
16	120/722689	Liner,t, 1.0-1.2mm 3mt Steel
18	120/722441	Central Adaptor kz2 For 15/25/36 305300
19	120/742175	Gun Plug Housing
20	120/742171	Ring Nut
21	120/722325	Front Torch Part
22	120/722693	Plastic Body For Swanneck 305500
--	120/742174	Spring (NOT SHOWN)



WIRING DIAGRAM 220 & 235

NOTE: It is our policy to continually improve products and as such we reserve the right to alter data, specifications and component parts without prior notice.

IMPORTANT: No liability is accepted for incorrect use of product.

WARRANTY: Guarantee is 12 months from purchase date, proof of which will be required for any claim.

Sealey Group, Kempson Way, Suffolk Business Park, Bury St Edmunds, Suffolk. IP32 7AR



01284 757500



01284 703534



sales@sealey.co.uk



www.sealey.co.uk