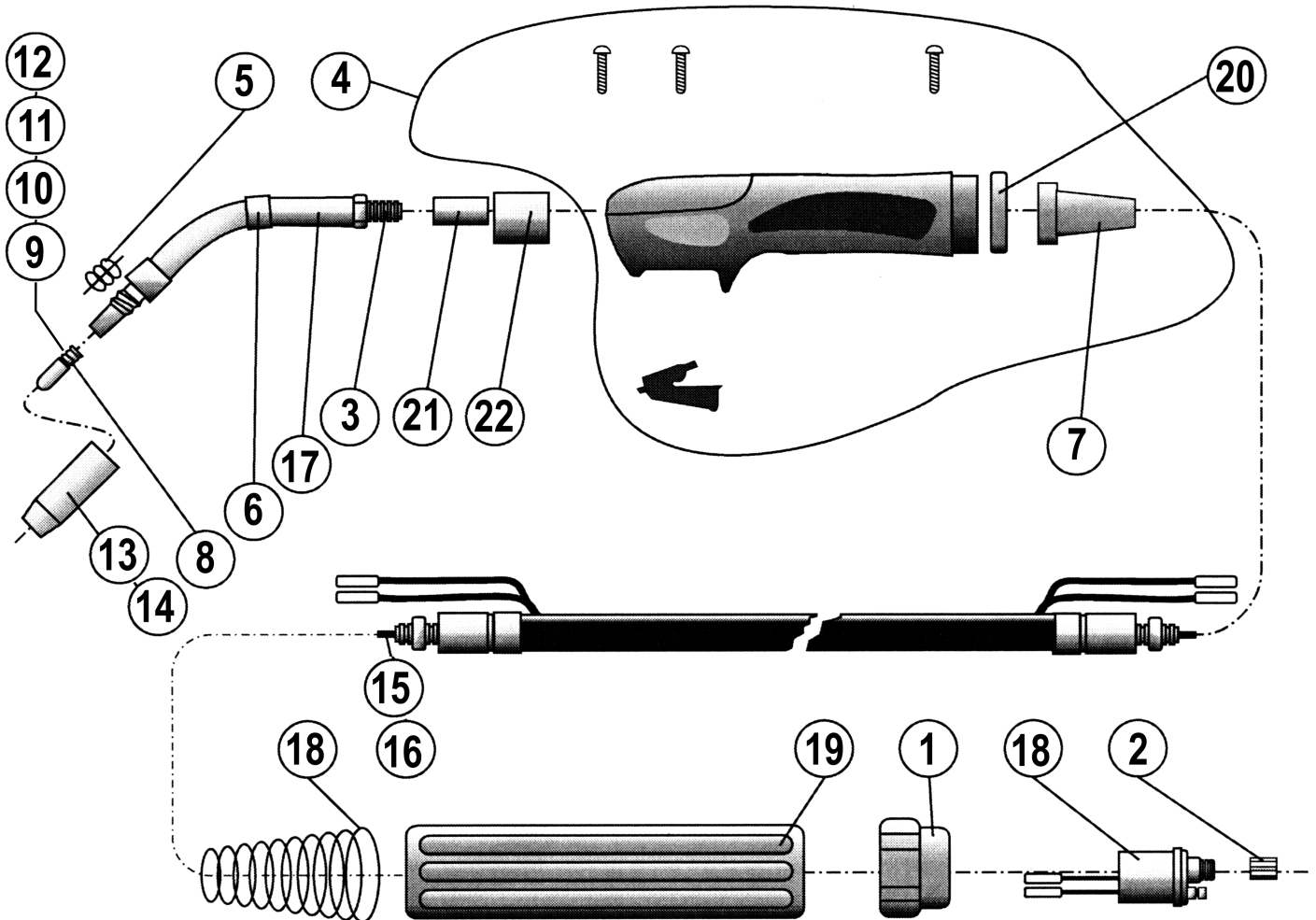


TORCH COMPLETE 120/742180

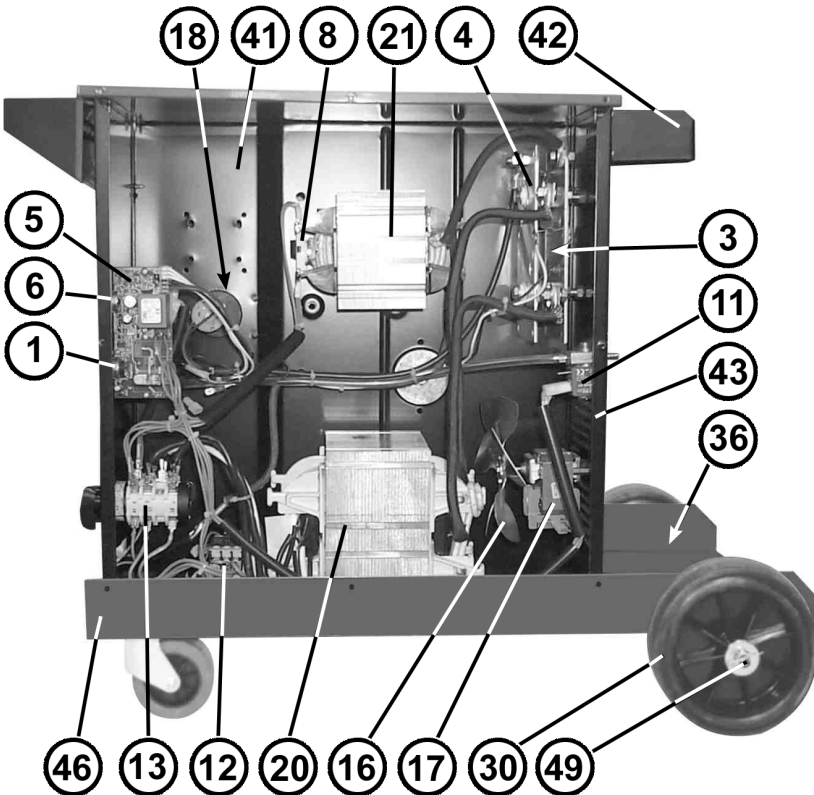
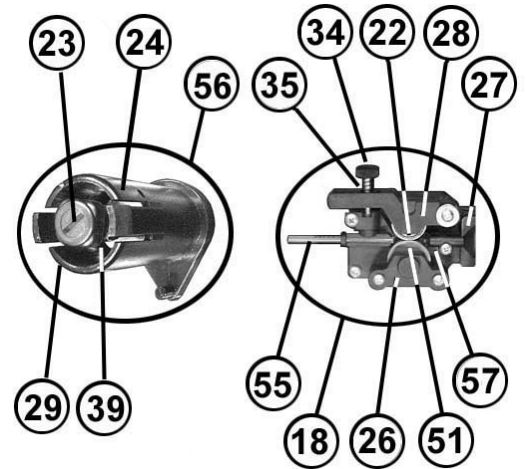
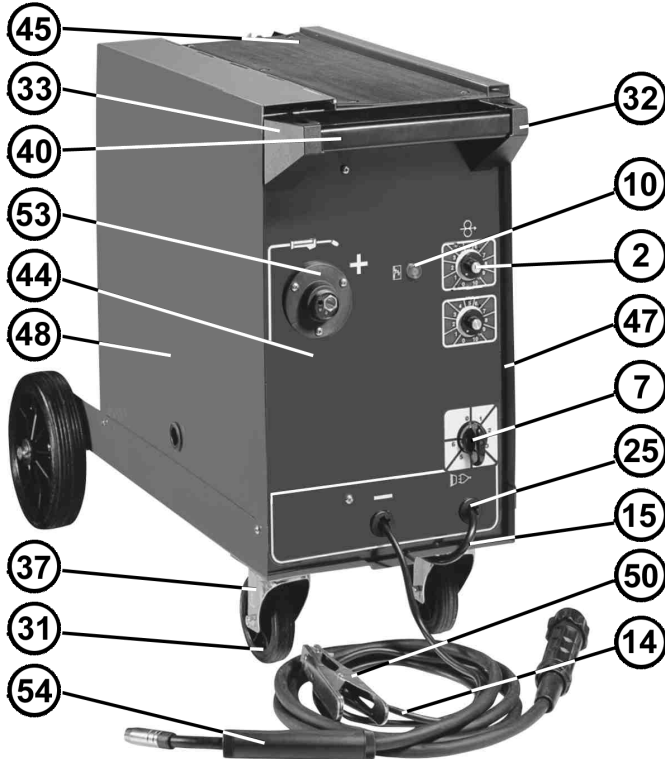


Issue Date:- 11/6/96
Version Nbr:- 2
Date Modified:- 19/4/01

Item	Part No	Description	Item	Part No	Description
1	120/722007	Ring nut	13	120/722149	Nozzle, Cylinder TB14 - 15
2	120/722013	Nut, Liner retainer	14	120/722423	Nozzle, Conical TB14 - 15 (AF1)
3	120/722007	Lance and Diffuser TB15	15	120/722437	Liner,T, 0.6 - 0.8mm 3mt Steel
4	120/742170	Handle complete	16	120/722689	Liner,T, 1.0 - 1.2mm 3mt Steel
5	120/722319	Spring for nozzle	17	120/722440	Insulation, Swan neck
6	120/722326	Insulation, diffuser	18	120/722441	Termination connector
7	120/742172	Torch holder	19	120/742175	Gun plug housing
8	120/722415	Contact tip 0.6mm (AF1)	20	120/722171	Ring nut
9	120/722416	Contact tip 0.8mm(AF1)	21	120/722325	Front torch part
10	120/722552	Contact tip 1.0mm ALLY (AF1)	22	120/722693	Insulation Block, Torch part
11	120/722553	Contact tip 1.2mm ALLY (AF1)	23	120/742174	Spring
12	120/722556	Contact tip 0.8mm ALLY			

NOTE: It is our policy to continually improve products and as such we reserve the right to alter data, specifications and component parts without prior notice.

IMPORTANT: No liability is accepted for incorrect use of product. **WARRANTY:** Guarantee is 12 months from purchase date, proof of which will be required for any claim. **INFORMATION:** Call us for a copy of our latest catalogue on 01284 757525 and leave your full name and address including your postcode.



Item	Part No	Description
1	120.113858	Potentiometer 10k
2	120/112125	Knob,Potentiometer 10k
3	120/112183	Protection,rectifier
4	120.114307	Wire feed PCB
5	120/120302	Cable 16mmq 1.8m
6	120.113533	Potentiometer
7	120122058	Knob for switch
8	120/122329	Thermostat
10	120/122707	Lamp
11	120/122035	Electro-valve
12	120.122692	Contactur
13	120/122567	Switch (SCH 0407/6629)
14	120/112227	Rectifier
15	120/132191	Mains cable
16	120/152054	Blade,fan
17	120/152110	Motor,fan
18	120/153007	Wire feed motor
20	120/169070	Transformer 230v
21	120/164712	Reactance
22	120/232105	Counter roller
23	120/312137	Knob
24	120/322081	Spindle, sleeve/spacer type
25	120/322112	Bushing, cable
26	120/322126	Casing, feeder roller shaft
27	120/322127	Casing, torch fixing
28	120/322128	Bracket, counter roller
29	120/322180	Spacer collar
30	120/322200	Wheel (fixed)
31	120/322246	Wheel
32	120/322248	Handle support block - right
33	120/322249	Handle support block - left
34	120/422257	Knob, counter roller tension
35	120/452022	Spring, counter roller tension
36	120/422817	Bracket, axle
37	120/422969	Bracket, castor
38	120/432102	Bull nosed adaptor (not shown)
39	120/452057	Spring
40	120/312103	Handle
41	120/644078	Diaphragm
42	120/644606	Bracket
43	120/644757	Back panel
44	120/649248	Front panel
45	120/650025	Cover
46	120/650428	Bottom
47	120/655122	Side panel
48	120/655123	Door
49	120/681092	Axle, wheel
50	120/712030	Clamp, earth
51	120/722019	Feed roller 0.6 - 0.8
52	REG/MT	Regulator CO2 & Argon 2 gauge
53	120/723051	Connection, torch
54	120/742180	TORCH
55	120/990097	Guide hose
56	120/990264	Spindle Kit
57	120/990257	Gear set

PARTS IN BOLD TYPE INDICATE ASSEMBLIES. FOR A FURTHER BREAKDOWN OF COMPONENTS CONTACT YOUR LOCAL SEALEY DEALER (N/S = NOT SHOWN)

NOTE: It is our policy to continually improve products and as such we reserve the right to alter data, specifications and component parts without prior notice.
IMPORTANT: No liability is accepted for incorrect use of product. **WARRANTY:** Guarantee is 12 months from purchase date, proof of which will be required for any claim. **INFORMATION:** Call us for a copy of our latest catalogue on 01284 757525 and leave your full name and address including your postcode.