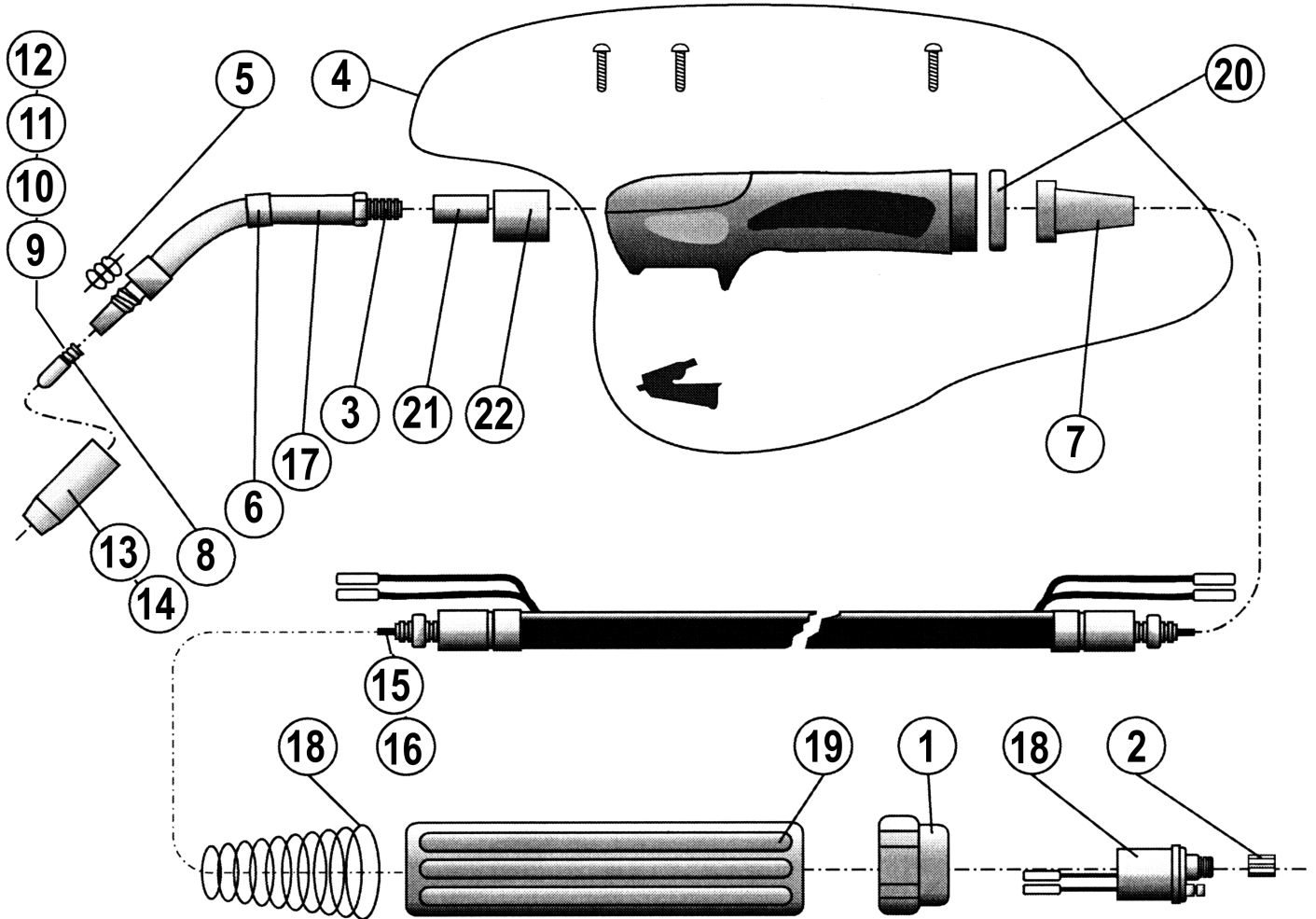
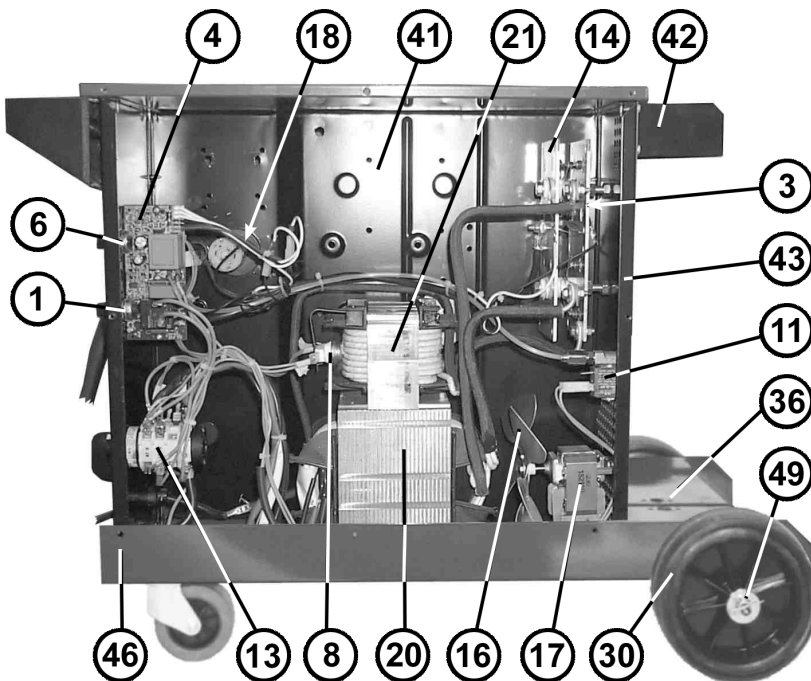
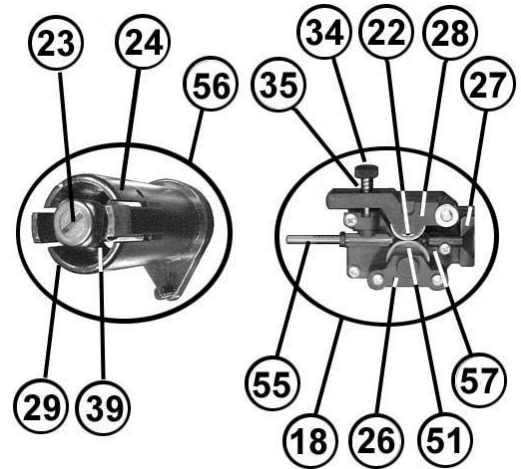
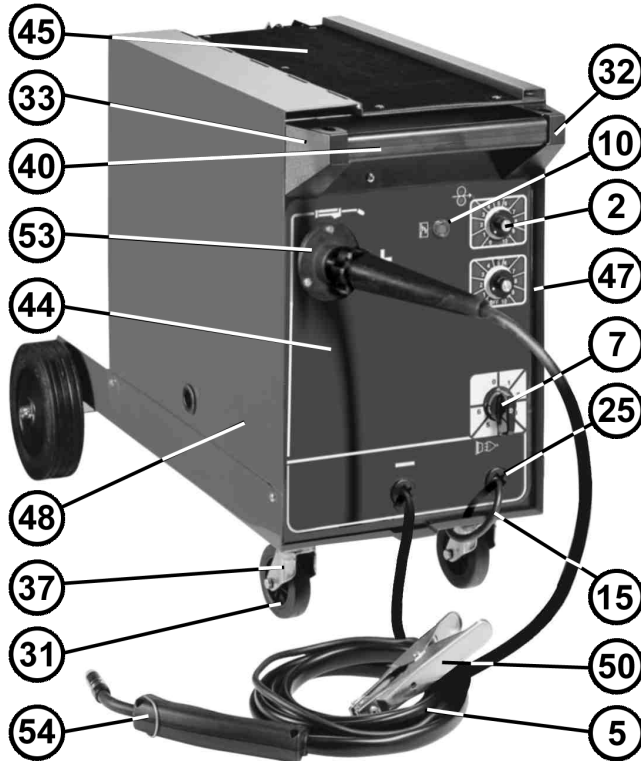


TORCH COMPLETE 120/742180



| Item | Part No | Description | Item | Part No | Description |
|------|------------|------------------------------|------|------------|---------------------------------|
| 1 | 120/722007 | Ring nut | 13 | 120/722149 | Nozzle, Cylinder TB14 - 15 |
| 2 | 120/722013 | Nut, Liner retainer | 14 | 120/722423 | Nozzle, Conical TB14 - 15 (AF1) |
| 3 | 120/722007 | Lance and Diffuser TB15 | 15 | 120/722437 | Liner,T, 0.6 - 0.8mm 3mt Steel |
| 4 | 120/742170 | Handle complete | 16 | 120/722689 | Liner,T, 1.0 - 1.2mm 3mt Steel |
| 5 | 120/722319 | Spring for nozzle | 17 | 120/722440 | Insulation, Swan neck |
| 6 | 120/722326 | Insulation, diffuser | 18 | 120/722441 | Termination connector |
| 7 | 120/742172 | Torch holder | 19 | 120/742175 | Gun plug housing |
| 8 | 120/722415 | Contact tip 0.6mm (AF1) | 20 | 120/722171 | Ring nut |
| 9 | 120/722416 | Contact tip 0.8mm(AF1) | 21 | 120/722325 | Front torch part |
| 10 | 120/722552 | Contact tip 1.0mm ALLY (AF1) | 22 | 120/722693 | Insulation Block, Torch part |
| 11 | 120/722553 | Contact tip 1.2mm ALLY (AF1) | 23 | 120/742174 | Spring |
| 12 | 120/722556 | Contact tip 0.8mm ALLY | | | |

NOTE: It is our policy to continually improve products and as such we reserve the right to alter data, specifications and component parts without prior notice.
IMPORTANT: No liability is accepted for incorrect use of product. **WARRANTY:** Guarantee is 12 months from purchase date, proof of which will be required for any claim. **INFORMATION:** Call us for a copy of our latest catalogue on 01284 757525 and leave your full name and address including your postcode.



| Item | Part No | Description |
|-----------|-------------------|---------------------------------------|
| 1 | 120.113858 | Potentiometer 10k |
| 2 | 120/112125 | Knob,Potentiometer 10k |
| 3 | 120/112183 | Protection,rectifier |
| 4 | 120/114306 | Wire feed PCB |
| 5 | 120/120302 | Cable 16mmq 1.8m |
| 6 | 120.113533 | Potentiometer |
| 7 | 120/122058 | Knob for switch |
| 8 | 120/122329 | Thermostat |
| 10 | 120/122707 | Light |
| 11 | 120/122035 | Electro-valve |
| 13 | 120/122567 | Switch (SCH 0407/6629) |
| 14 | 120/112227 | Rectifier |
| 15 | 120/132191 | Mains cable |
| 16 | 120/152054 | Blade,fan |
| 17 | 120/152110 | Motor,fan |
| 18 | 120/153007 | Wire feed motor |
| 20 | 120/164750 | Transformer 230v |
| 21 | 120/164145 | Reactance |
| 22 | 120/232105 | Counter roller |
| 23 | 120/312137 | Knob |
| 24 | 120/322081 | Spindle, sleeve/spacer type |
| 25 | 120/322112 | Bushing, cable |
| 26 | 120/322126 | Casing, feeder roller shaft |
| 27 | 120/322127 | Casing, torch fixing |
| 28 | 120/322128 | Bracket, counter roller |
| 29 | 120/322180 | Spacer collar |
| 30 | 120/322200 | Wheel (fixed) |
| 31 | 120/322246 | Wheel |
| 32 | 120/322248 | Handle support block - right |
| 33 | 120/322249 | Handle support block - left |
| 34 | 120/422257 | Knob, counter roller tension |
| 35 | 120/452022 | Spring, counter roller tension |
| 36 | 120/422817 | Bracket, axle |
| 37 | 120/422969 | Bracket, castor |
| 38 | 120/432102 | Bull nosed adaptor (not shown) |
| 39 | 120/452057 | Spring |
| 40 | 120/312103 | Handle |
| 41 | 120/644078 | Diaphragm |
| 42 | 120/644606 | Bracket (bottle) |
| 43 | 120.644757 | Back panel |
| 44 | 120.649245 | Front panel |
| 45 | 120/650025 | Cover |
| 46 | 120/650428 | Bottom |
| 47 | 120/655764 | Side panel |
| 48 | 120/655765 | Door |
| 49 | 120/681092 | Axle, wheel |
| 50 | 120/712030 | Clamp, earth |
| 51 | 120/722019 | Feed roller 0.6 - 0.8 |
| 52 | REG/MT | Regulator (2 gauges) not shown |
| 53 | 120/723051 | Connection, torch |
| 54 | 120/742180 | TORCH |
| 55 | 120/990097 | Guide hose |
| 56 | 120/990264 | Spindle Kit |
| 57 | 120/990257 | Gear set |

PARTS IN BOLD TYPE INDICATE ASSEMBLIES. FOR A FURTHER BREAKDOWN OF COMPONENTS CONTACT YOUR LOCAL SEALEY DEALER (N/S = NOT SHOWN)

NOTE: It is our policy to continually improve products and as such we reserve the right to alter data, specifications and component parts without prior notice.
IMPORTANT: No liability is accepted for incorrect use of product. **WARRANTY:** Guarantee is 12 months from purchase date, proof of which will be required for any claim. **INFORMATION:** Call us for a copy of our latest catalogue on 01284 757525 and leave your full name and address including your postcode.