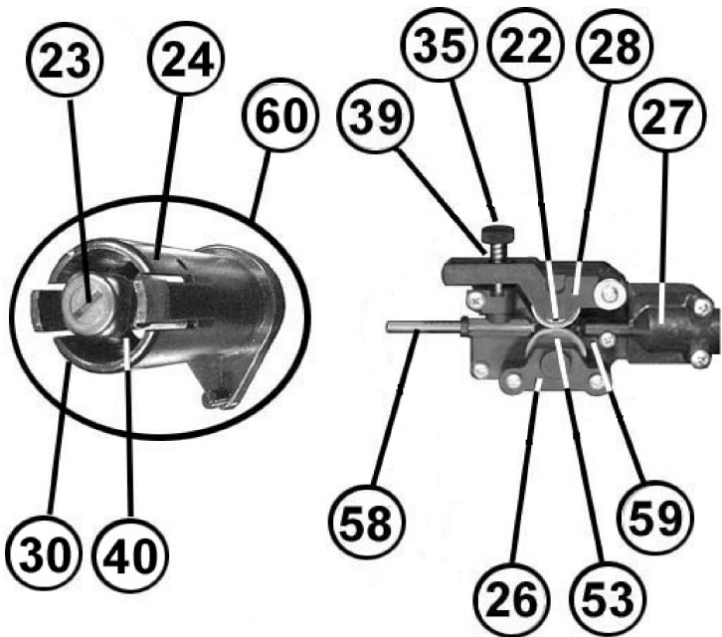
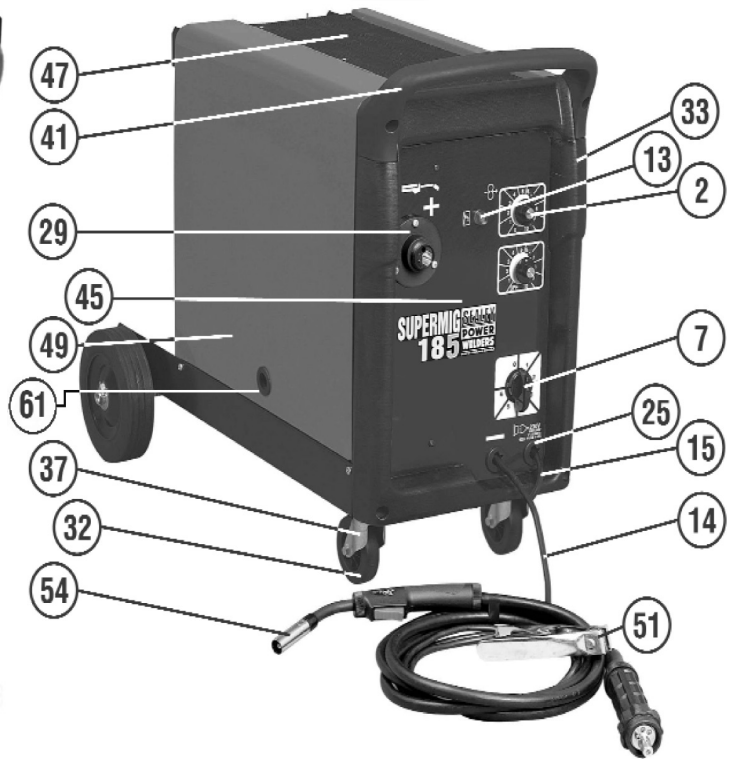
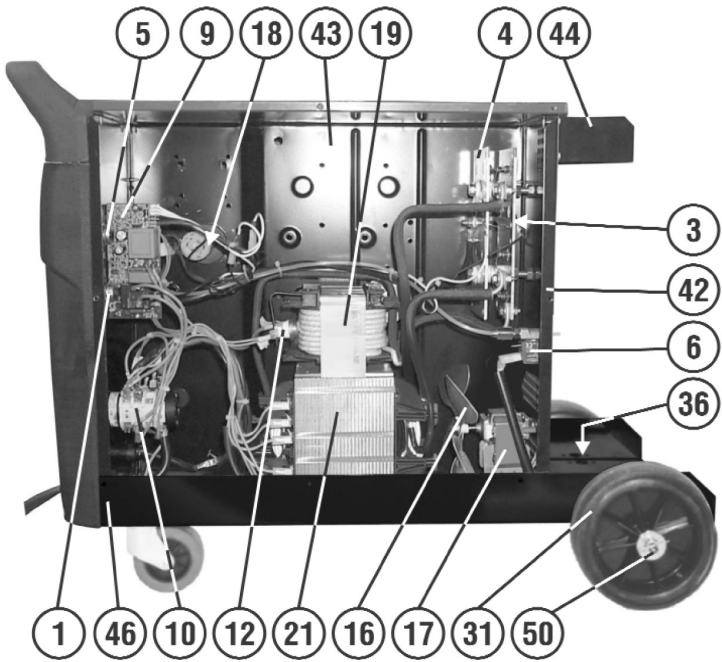




Parts Information:
Professional MIG Welder 185Amp 230V
with Euro Torch
Model No: SUPERMIG185.V2



NOTE: It is our policy to continually improve products and as such we reserve the right to alter data, specifications and component parts without prior notice.

IMPORTANT: No liability is accepted for incorrect use of product.

WARRANTY: Guarantee is 12 months from purchase date, proof of which will be required for any claim.

Sealey Group, Kempson Way, Suffolk Business Park, Bury St Edmunds, Suffolk. IP32 7AR



01284 757500



01284 703534



sales@sealey.co.uk



www.sealey.co.uk



Parts Information:
**Professional MIG Welder 185Amp 230V
 with Euro Torch
 Model No: SUPERMIG185.V2**

Item	Part No.	Description
1	120.113574	Potentiometer (100ka)
2	120.121424	Knob, Potentiometer
3	120/112183	Protection, Rectifier
4	120.980476	Rectifier Kit
5	120.113533	Potentiometer (470ka)
6	120/122035	Electro-Valve 230V
7	120.323101	Switch Knob Set
9	120.980461	Wire Feeder Board Kit
10	120.121510	Switch
12	120/122329	Thermostat
13	120/122594	Lamp, Yellow, Slim, 24V
14	CC16/1	16mm Copper Cable Per Meter
15	MC3CX2.5	Mains Cable Blk, 3 Core, 2.5mm2
16	120/152054	Blade, Fan
17	120/152110	Motor, Fan
18	120/153007	Wire Feed Motor (Internal)
19	120.169371	Reactance
21	120.169296	Transformer
22	B/609Z	Bearing 609Z
23	120/312137	Knob
24	120/322081	Spindle, Sleeve/Spacer Type
25	120.322112	Bushing
26	120/322126	Casing, Feeder Roller Shaft
27	120/322127	Casing, Torch Fixing
28	120/322128	Bracket, Counter Roller
29	120/723051	Connection, Torch
30	120/322180	Spacer Collar
31	120/322201	Wheel,Fixed (173x16x41)

Item	Part No.	Description
32	120/322245	Wheel,Fixed (80x9x23)
33	120.322640	Plastic Frame
35	120/422257	Knob, Counter Roller Tension
36	120/422817	Bracket, Axle
37	120/422820	Bracket, Castor
--	120/432102	Bull Nose Adaptor (NOT SHOWN)
39	120/452022	Spring, Counter Roller Tension
40	120/452057	Spring
41	120/312328	Handle
42	120/644828	Back Panel
43	120/644176	Diaphragm
44	120/644606	Bracket
45	120.649565	Front Panel
46	120.644961	Bottom (Black)
47	120.655316	Cover
49	120.980886	Door
50	120/681092	Axle, Wheel
51	120/712231	Work Clamp
53	120/722019	Feed Roller 0.6-0.8/0.9mm
54	MIG/T15	MIG Torch 3Mtr Euro Connector TB15
--	REG/MT	MIG Gas Regulator 2 Gauge Industrial (NOT SHOWN)
58	120/990097	Guide Hose 2mm x 4mm x 122mm
59	120/990257	Gear Set
60	120/990264	Spindle Kit
61	120.322032	Grommet
--	537-1622	Fuse Glass 160M Amp 250V 5x20 (NOT SHOWN)

NOTE: It is our policy to continually improve products and as such we reserve the right to alter data, specifications and component parts without prior notice.

IMPORTANT: No liability is accepted for incorrect use of product.

WARRANTY: Guarantee is 12 months from purchase date, proof of which will be required for any claim.

Sealey Group, Kempson Way, Suffolk Business Park, Bury St Edmunds, Suffolk. IP32 7AR



01284 757500



01284 703534



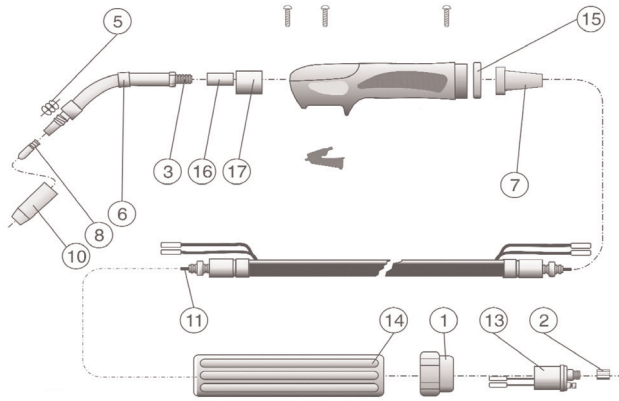
sales@sealey.co.uk



www.sealey.co.uk

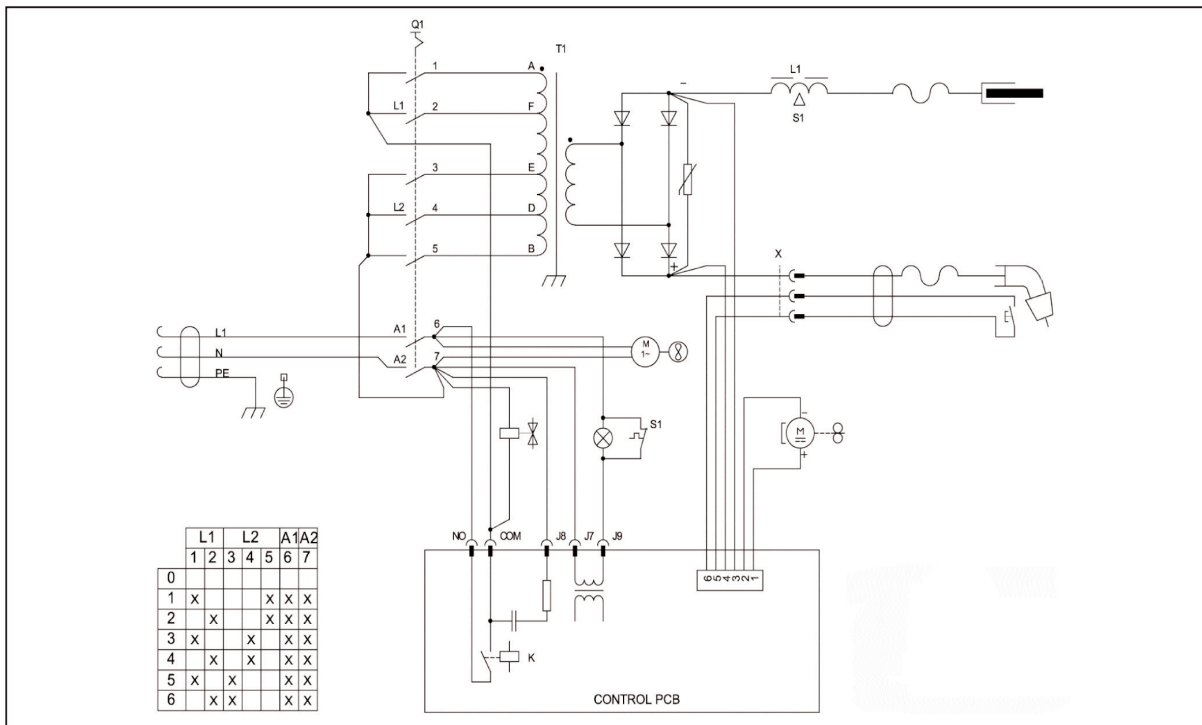


Parts Information:
**Professional MIG Welder 185Amp 230V
 with Euro Torch**
Model No: SUPERMIG185.V2



Item	Part No.	Description
1	120/722007	Adaptor Nut
2	120/722013	Liner Positioner Nut
3	120/722305	TR-15 Swanneck
--	120/742170	Handle Without Switch (With Trigger) (NOT SHOWN)
5	120/722319	Spring For Nozzle TB15
6	120/722326	Head Insulator TR-15 Swanneck
7	120/742172	Torch Holder
8	MIG956	Contact Tip 0.6mm TB15 Pack Of 5
	MIG957	Contact Tip 0.8mm TB15 Pack Of 5
	MIG921	Contact Tip 1mm Aluminium TB25/36 Pack Of 5
	120/722553	Contact Tip TR-25 M6-08-1.2a

Item	Part No.	Description
	120/722556	Contact Tip TR-25 M6-08-0.8a (Aluminium)
10	168.200105	Cylindrical Nozzle TB15 Single
	MIG955	Conical Nozzle TB15 Pack Of 3
11	168.301535	Blue Steel Liner, Dia 1,5/4,5mm Round
	120/722689	Liner,t, 1.0-1.2mm 3mt Steel
13	120/722441	Central Adaptor kz2
14	120/742175	Gun Plug Housing
15	120/742171	Ring Nut
16	120/722325	Front Torch Part
17	120/722693	Plastic Body For Swanneck
--	120/742174	Spring (NOT SHOWN)



NOTE: It is our policy to continually improve products and as such we reserve the right to alter data, specifications and component parts without prior notice.

IMPORTANT: No liability is accepted for incorrect use of product.

WARRANTY: Guarantee is 12 months from purchase date, proof of which will be required for any claim.

Sealey Group, Kempson Way, Suffolk Business Park, Bury St Edmunds, Suffolk. IP32 7AR



01284 757500



01284 703534



sales@sealey.co.uk



www.sealey.co.uk