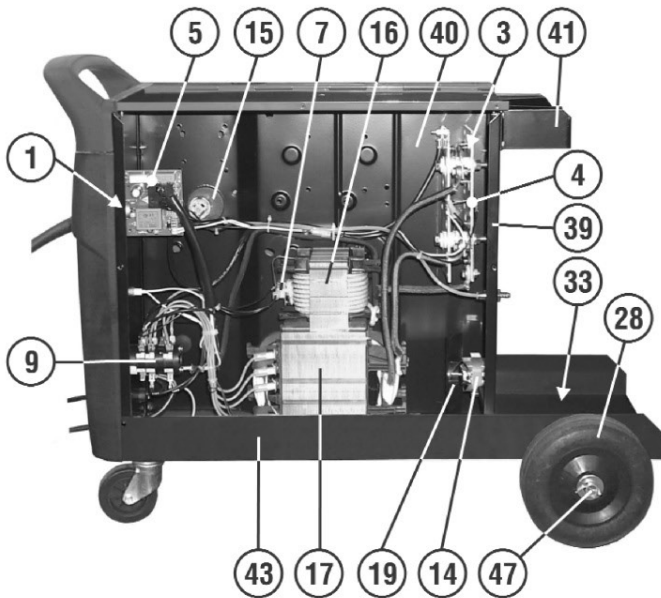
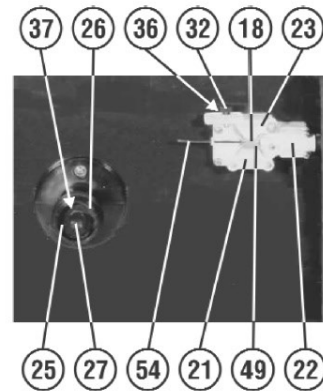
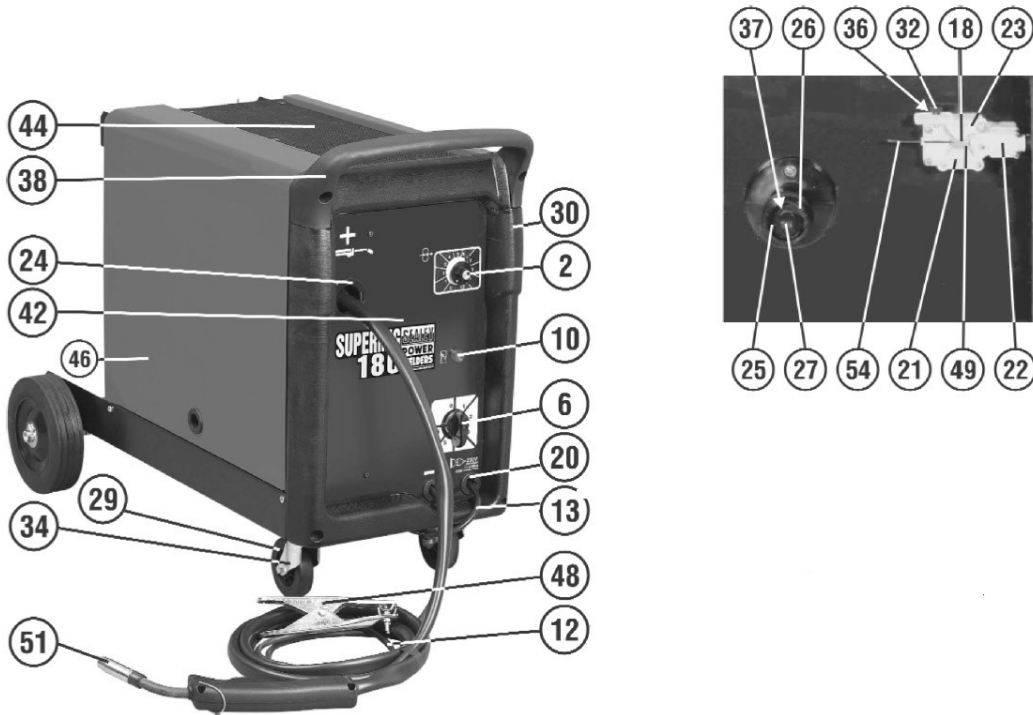




Parts Information:  
Professional MIG Welder 180Amp 230V  
with Binzel Euro Torch  
Model No: SUPERMIG180.V2



**NOTE:** It is our policy to continually improve products and as such we reserve the right to alter data, specifications and component parts without prior notice.

**IMPORTANT:** No liability is accepted for incorrect use of product.

**WARRANTY:** Guarantee is 12 months from purchase date, proof of which will be required for any claim.

Sealey Group, Kempson Way, Suffolk Business Park, Bury St Edmunds, Suffolk. IP32 7AR



01284 757500



01284 703534



sales@sealey.co.uk



www.sealey.co.uk



Parts Information:  
**Professional MIG Welder 180Amp 230V  
with Binzel Euro Torch  
Model No: SUPERMIG180.V2**

Item	Part No.	Description
1	120.113533	Potentiometer (470ka)
2	120.121424	Knob, potentiometer
3	120/112183	Protection, rectifier
4	120.980476	Rectifier kit
5	120.980465	Wire feeder board kit
6	120.323101	Switch knob set (was 322901)
7	120/122525	Thermostat
9	120.121510	Switch
10	120/122529	Lamp, yellow
12	CC16/1	16mm copper cable per meter
13	MC3CX2.5	Mains cable blk, 3 core, 2.5mm <sup>2</sup>
14	120/152080	Motor, electrofan
15	120/153900	Wire feed + torch fixing kit
16	120.169371	Reactance
17	120.169296	Transformer
18	B/609Z	Bearing 609z
19	120/312025	Blade, fan
20	120.322112	Bushing
21	120/322126	Casing, feeder roller shaft
22	120/322127	Casing, torch fixing
23	120/322128	Bracket, counter roller
24	120/322143	Ring nut, cable protection
25	120/322172	Spindle, 15-50mm
26	120/322173	Reel ring nut
27	120/322174	Reel thumb screw

Item	Part No.	Description
28	120/322201	Wheel, fixed (173x16x41)
29	120/322245	Wheel, fixed (80x9x23)
30	120.322640	Plastic frame
32	120/422257	Knob, counter roller tension
33	120/422817	Bracket, axle
34	120/422820	Bracket, castor
35	120/432102	Bull Nose Adaptor
36	120/452022	Spring, counter roller tension
37	120/452065	Spring, reel
38	120/312328	Handle
39	120/644828	Back panel
40	120/644176	Diaphragm
41	120/644606	Bracket
42	120.649562	Front panel
43	120.644961	Bottom (black)
44	120.655310	Cover
46	120.655309	Door
47	120/681092	Axle, wheel
48	120/712231	Work clamp
49	120/722019	Feed roller 0.6-0.8/0.9mm
--	REG/MT	MIG Gas Regulator 2 Gauge Industrial (NOT SHOWN)
51	120/742405	Mig torch 3mtr
54	120/990097	Guide hose 2mm x 4mm x 122mm
--	120/990251	Gear set (NOT SHOWN)
--	120/990288	Reel kit, 15-50mm (NOT SHOWN)

**NOTE:** It is our policy to continually improve products and as such we reserve the right to alter data, specifications and component parts without prior notice.

**IMPORTANT:** No liability is accepted for incorrect use of product.

**WARRANTY:** Guarantee is 12 months from purchase date, proof of which will be required for any claim.

**Sealey Group**, Kempson Way, Suffolk Business Park, Bury St Edmunds, Suffolk. IP32 7AR



01284 757500



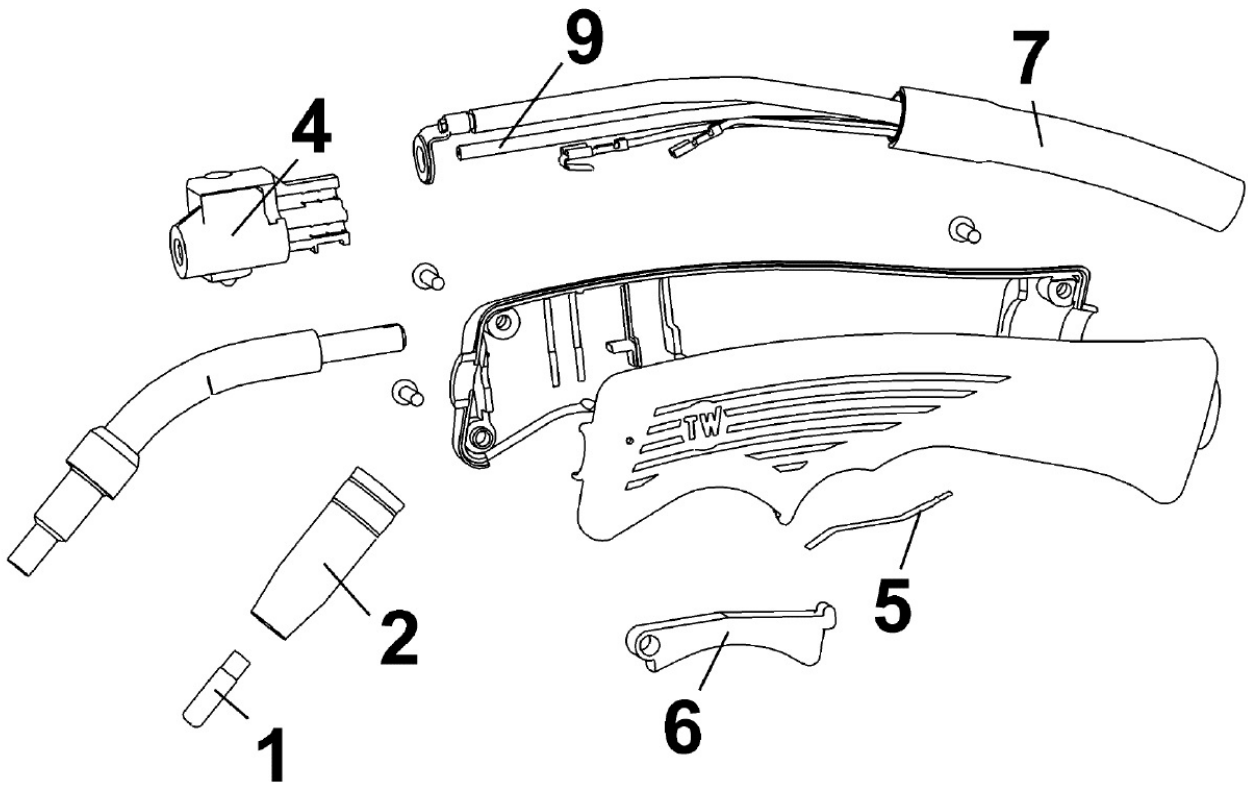
01284 703534



sales@sealey.co.uk



www.sealey.co.uk



Issue:

3

Item	Part No.	Description
1	MIG956	Contact Tip 0.6mm TB15 Pack of 5
--	MIG957	Contact Tip 0.8mm TB15 Pack of 5 (NOT SHOW)
2	MIG955	Conical Nozzle TB15 Pack of 3
3	120/990464	Torch connection assembly

Item	Part No.	Description
4	120/452097	Contact spring
5	120/322295	Pushbutton
6	120.990601	Sleeve, torch cable
7	120/990465	Handle, complete
8	120/722078	Lance with diffuser / Lance with diffuser

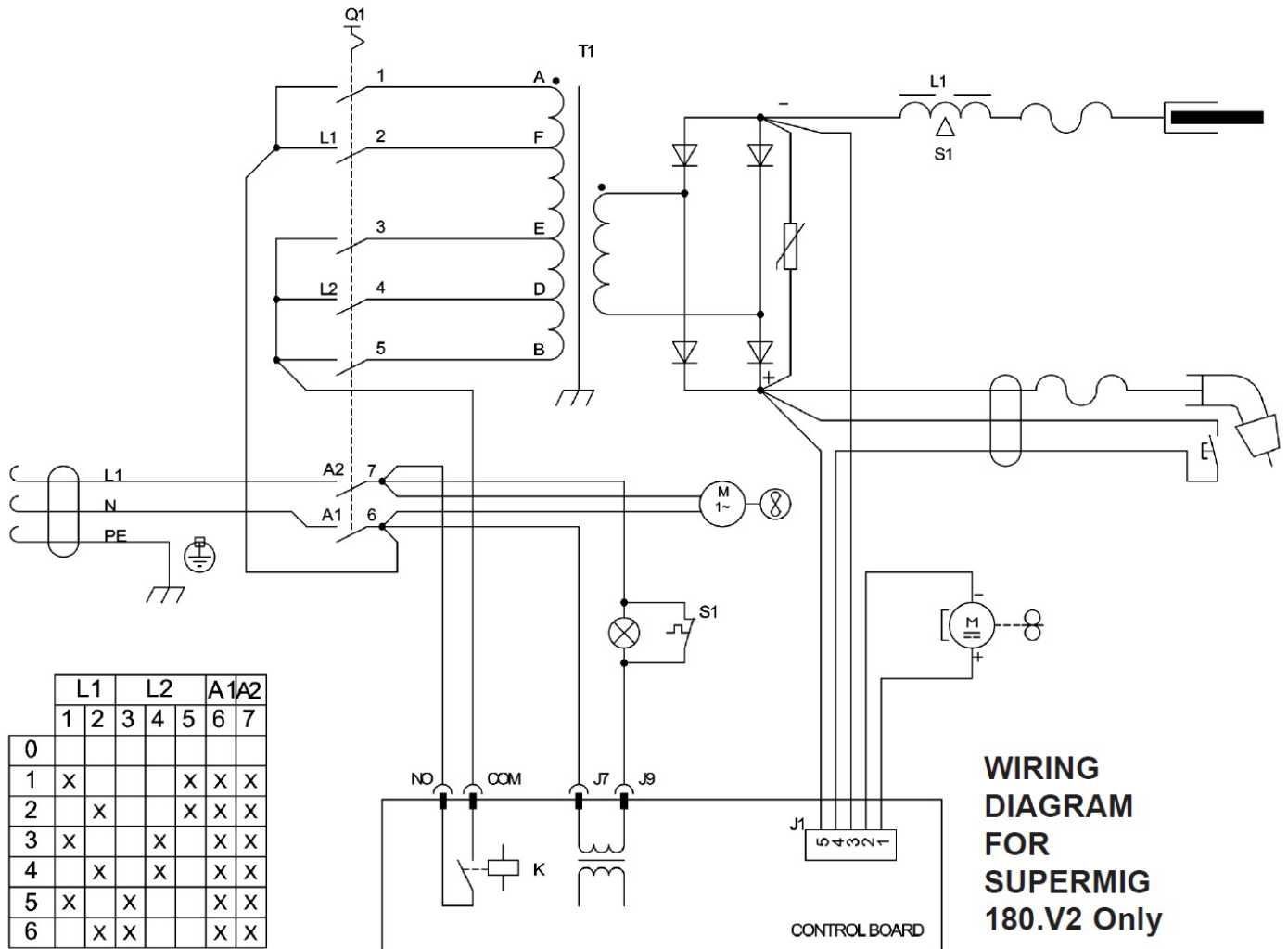
**NOTE:** It is our policy to continually improve products and as such we reserve the right to alter data, specifications and component parts without prior notice.

**IMPORTANT:** No liability is accepted for incorrect use of product.

**WARRANTY:** Guarantee is 12 months from purchase date, proof of which will be required for any claim.



Parts Information:  
**Professional MIG Welder 180Amp 230V  
 with Binzel Euro Torch  
 Model No: SUPERMIG180.V2**



**WIRING  
 DIAGRAM  
 FOR  
 SUPERMIG  
 180.V2 Only**

**NOTE:** It is our policy to continually improve products and as such we reserve the right to alter data, specifications and component parts without prior notice.

**IMPORTANT:** No liability is accepted for incorrect use of product.

**WARRANTY:** Guarantee is 12 months from purchase date, proof of which will be required for any claim.

**Sealey Group**, Kempson Way, Suffolk Business Park, Bury St Edmunds, Suffolk. IP32 7AR



01284 757500



01284 703534



sales@sealey.co.uk



www.sealey.co.uk