

NOTE: It is our policy to continually improve products and as such we reserve the right to alter data, specifications and component parts without prior notice.

IMPORTANT: No liability is accepted for incorrect use of product.

WARRANTY: Guarantee is 12 months from purchase date, proof of which will be required for any claim.



Parts Information:
Professional MIG Welder 160Amp 230V
Model No: SUPERMIG160.V2

| Item | Part No. | Description |
|------|------------|---------------------------------|
| 1 | 120/112079 | Potentiometer 10k |
| 2 | 120.121424 | Knob, potentiometer |
| 3 | 120/112183 | Protection, rectifier |
| 4 | 120.990745 | Rectifier kit |
| 5 | 120.980463 | Wire feed control card |
| 6 | 120.323101 | Switch knob set |
| 7 | 120.121069 | Thermostat 15a 250v |
| 9 | 120.121196 | Switch |
| 10 | 120/122594 | Lamp, yellow, slim, 24v |
| 12 | CC10/1 | 10mm copper cable per metre |
| 13 | MC3CX1.5 | Mains cable blk, 3 core, 1.5mm2 |
| 14 | 120/152080 | Motor, electrofan |
| 15 | 120/153900 | Wire feed + torch fixing kit |
| 16 | 120.169228 | Reactance |
| 17 | 120.169295 | Transformer |
| 18 | B/609Z | Bearing 609z |
| 19 | 120/312026 | Blade, fan |
| 20 | 120.322112 | Bushing |
| 21 | 120/322126 | Casing, feeder roller shaft |
| 22 | 120/322127 | Casing, torch fixing |
| 23 | 120/322128 | Bracket, counter roller |
| 24 | 120/322143 | Ring nut, cable protection |
| 25 | 120/322172 | Spindle, 15-50mm |
| 26 | 120/322173 | Reel ring nut |
| 27 | 120/322174 | Reel thumb screw |
| 28 | 120/322201 | Wheel, fixed (173x16x41) |

| Item | Part No. | Description |
|------|------------|---|
| 29 | 120/322245 | Wheel, fixed (80x9x23) |
| 30 | 120.322640 | Plastic frame |
| 32 | 120/422257 | Knob, counter roller tension |
| 33 | 120/422817 | Bracket, axle |
| 34 | 120/422820 | Bracket, castor |
| -- | 120/432102 | Bull Nose Adaptor / Bull Nose Adaptor (NOT SHOWN) |
| 36 | 120/452022 | Spring, counter roller tension |
| 37 | 120/452065 | Spring, reel |
| 38 | 120/312328 | Handle |
| 39 | 120/644828 | Back panel |
| 40 | 120/644176 | Diaphragm |
| 41 | 120/644606 | Bracket |
| 42 | 120.649566 | Front panel |
| 43 | 120.644961 | Bottom (black) |
| 44 | 120.655318 | Cover |
| 46 | 120.655317 | Door |
| 47 | 120/681092 | Axle, wheel |
| 48 | 120/712001 | Clamp, earth (black) |
| 49 | 120/722019 | Feed roller 0.6-0.8/0.9mm |
| -- | REG/MT | MIG Gas Regulator 2 Gauge Industrial (NOT SHOWN) |
| 51 | 120.742901 | Mig torch |
| 54 | 120/990097 | Guide hose 2mm x 4mm x 122mm |
| 55 | 120/990251 | Gear set |
| 56 | 120/990288 | Reel kit, 15-50mm |

NOTE: It is our policy to continually improve products and as such we reserve the right to alter data, specifications and component parts without prior notice.

IMPORTANT: No liability is accepted for incorrect use of product.

WARRANTY: Guarantee is 12 months from purchase date, proof of which will be required for any claim.

Sealey Group, Kempson Way, Suffolk Business Park, Bury St Edmunds, Suffolk. IP32 7AR



01284 757500



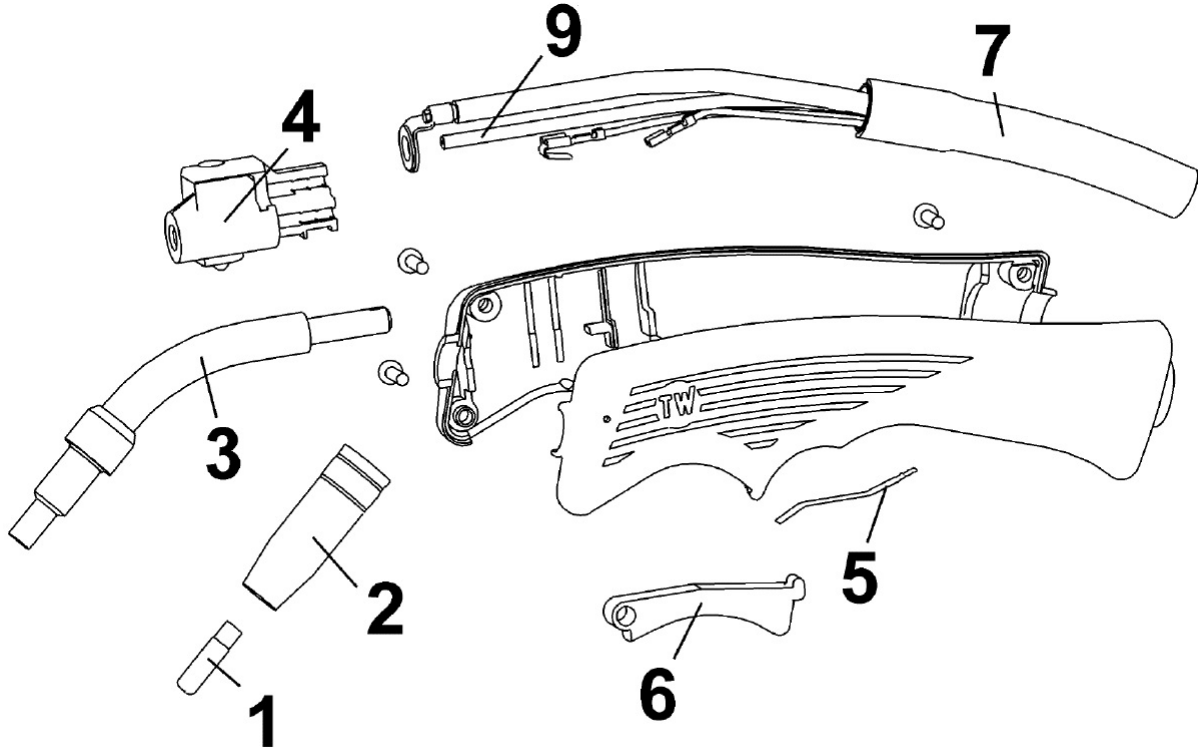
01284 703534



sales@sealey.co.uk



www.sealey.co.uk



Issue: 3

| Item | Part No. | Description |
|------|------------|-------------------------------|
| 1 | 120/722416 | Contact tip tr-15 m6-06-0.8mm |
| 2 | 120/722423 | Conical nozzle tb14/tb15 |
| 3 | 120/722078 | Lance with diffuser |
| 4 | 120/990464 | Torch connection assembly |

| Item | Part No. | Description |
|------|------------|-------------------------------|
| 5 | 120/452097 | Contact spring |
| 6 | 120/322295 | Pushbutton |
| 7 | 120/990600 | Sleeve with cable |
| 9 | 120/742412 | Liner, black, 0.6-0.8mm 2.25m |

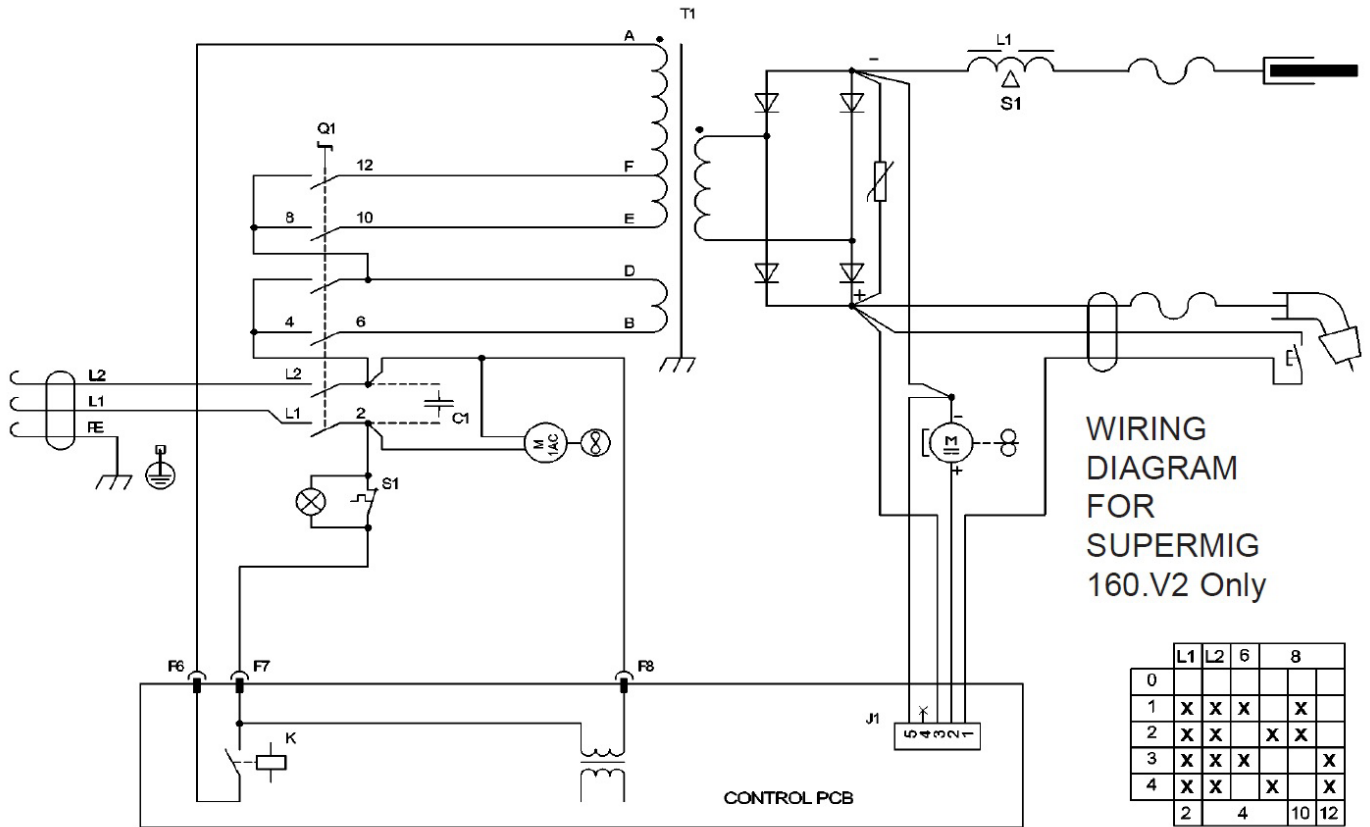
NOTE: It is our policy to continually improve products and as such we reserve the right to alter data, specifications and component parts without prior notice.

IMPORTANT: No liability is accepted for incorrect use of product.

WARRANTY: Guarantee is 12 months from purchase date, proof of which will be required for any claim.



Parts Information:
Professional MIG Welder 160Amp 230V
Model No: SUPERMIG160.V2



NOTE: It is our policy to continually improve products and as such we reserve the right to alter data, specifications and component parts without prior notice.

IMPORTANT: No liability is accepted for incorrect use of product.

WARRANTY: Guarantee is 12 months from purchase date, proof of which will be required for any claim.

Sealey Group, Kempson Way, Suffolk Business Park, Bury St Edmunds, Suffolk. IP32 7AR



01284 757500



01284 703534



sales@sealey.co.uk



www.sealey.co.uk