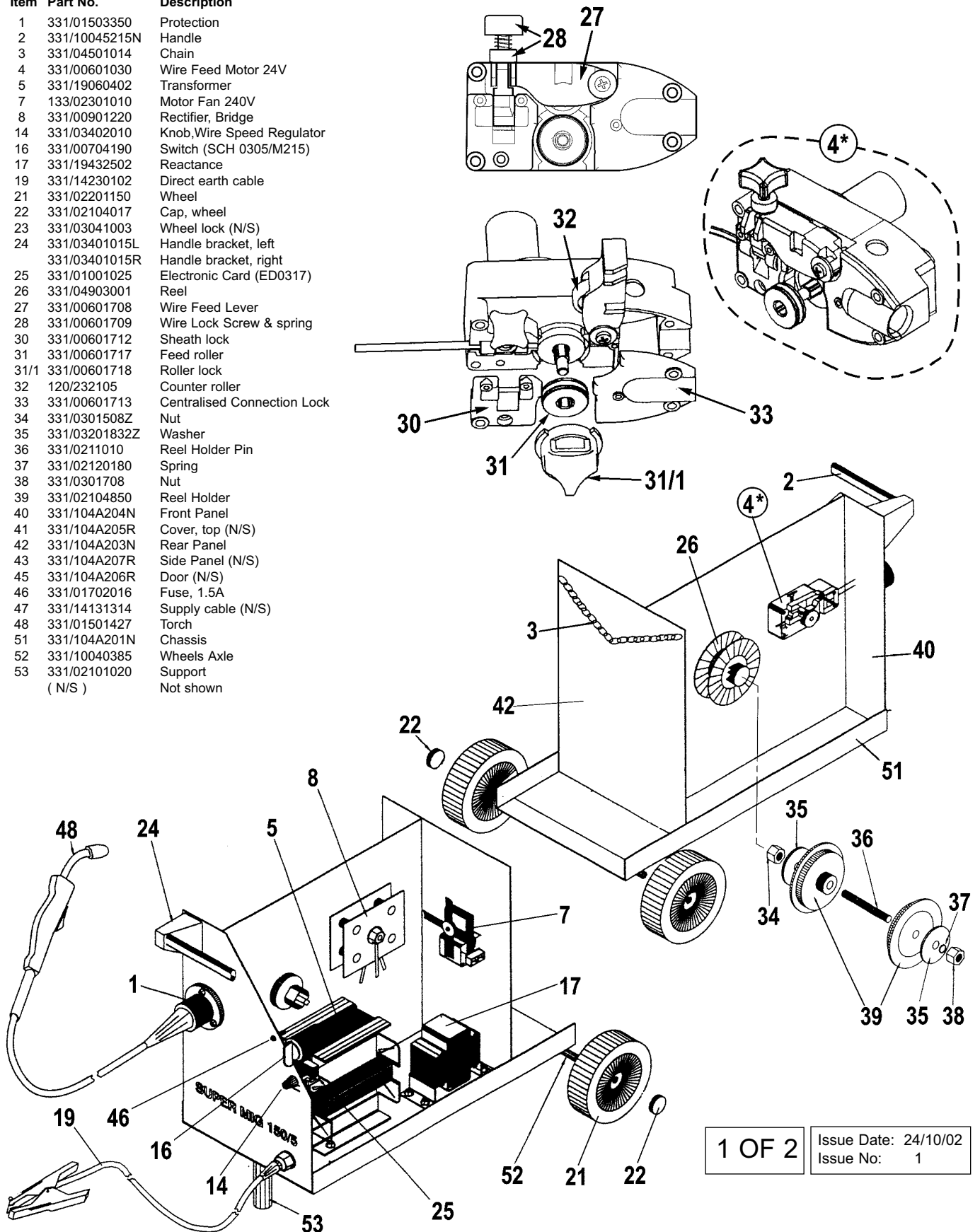
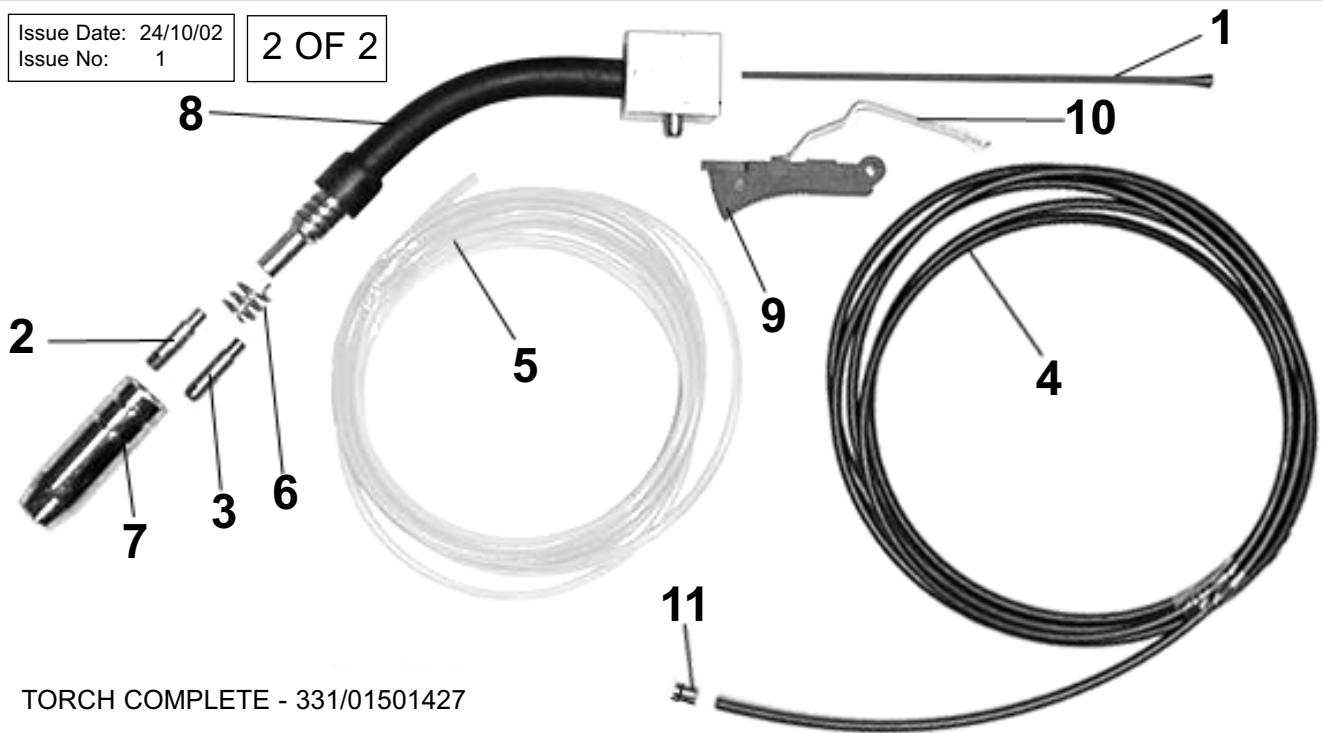


Item	Part No.	Description
1	331/01503350	Protection
2	331/10045215N	Handle
3	331/04501014	Chain
4	331/00601030	Wire Feed Motor 24V
5	331/19060402	Transformer
7	133/02301010	Motor Fan 240V
8	331/00901220	Rectifier, Bridge
14	331/03402010	Knob, Wire Speed Regulator
16	331/00704190	Switch (SCH 0305/M215)
17	331/19432502	Reactance
19	331/14230102	Direct earth cable
21	331/02201150	Wheel
22	331/02104017	Cap, wheel
23	331/03041003	Wheel lock (N/S)
24	331/03401015L	Handle bracket, left
	331/03401015R	Handle bracket, right
25	331/01001025	Electronic Card (ED0317)
26	331/04903001	Reel
27	331/00601708	Wire Feed Lever
28	331/00601709	Wire Lock Screw & spring
30	331/00601712	Sheath lock
31	331/00601717	Feed roller
31/1	331/00601718	Roller lock
32	120/232105	Counter roller
33	331/00601713	Centralised Connection Lock
34	331/0301508Z	Nut
35	331/03201832Z	Washer
36	331/0211010	Reel Holder Pin
37	331/02120180	Spring
38	331/0301708	Nut
39	331/02104850	Reel Holder
40	331/104A204N	Front Panel
41	331/104A205R	Cover, top (N/S)
42	331/104A203N	Rear Panel
43	331/104A207R	Side Panel (N/S)
45	331/104A206R	Door (N/S)
46	331/01702016	Fuse, 1.5A
47	331/14131314	Supply cable (N/S)
48	331/01501427	Torch
51	331/104A201N	Chassis
52	331/10040385	Wheels Axle
53	331/02101020	Support
	(N/S)	Not shown



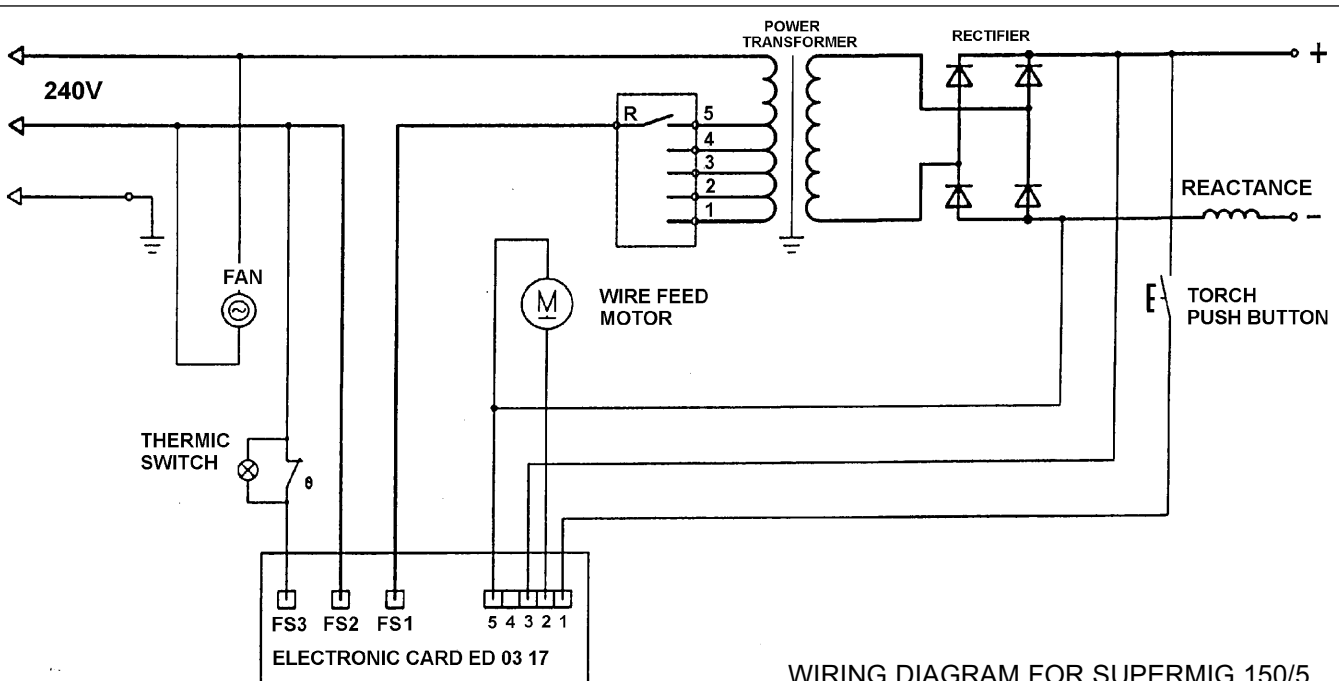
Issue Date: 24/10/02  
Issue No: 1

2 OF 2



TORCH COMPLETE - 331/01501427

Item	Part No	Description	Item	Part No	Description
1	331/GM65	Sleeve, liner	7	120/722423	Nozzle, Conical TB14 - 15 (AFI)
2	331/01503808	Tip, M6 0.8mm	8	331/01503140	Swan Neck c/w Brass Conn Block
3	331/MD8-06	Tip, M6 0.6mm	9	331/01503519	Trigger
4	120/722047	Liner, Black 0.6 - 0.8mm 2.2M	10	331/01503512	Spring
5	120/722050	Liner, White, Gas for torch 2.75M	11	MS33	Collet
6	120/722319	Spring for nozzle			



WIRING DIAGRAM FOR SUPERMIG 150/5